

iMOTION™ Motion Control Engine

Software Reference Manual

About this document

Scope and purpose

iMOTION™ devices are offering control of permanent magnet motors by integrating both hardware and software.

These devices can perform sensorless or sensor based Field-Oriented Control (FOC) over the full speed range of the motor, including stable control at deep field weakening speeds. The iMOTION™ motor control software is offered under the name Motion Control Engine (MCE) hereafter. MCE also offers Power Factor Correction (PFC). MCE offers scripting support to enable to write system level functionalities above motor control and PFC and extend the functionality of MCE.

The electrical, mechanical, timing and quality parameters of the iMOTION™ products are described in the respective data sheets. The data sheets also specify the concrete IO pins for the functionalities described here.

This software reference manual describes various features supported by MCE including the following topics:

- Application specific registers that are used to configure motor, PFC and power board parameters
- Guides through design, testing and optimization of application specific hardware
- Flux estimator, speed and current control loop tuning and optimize the motor start-up parameters
- Motor drive performance verification and troubleshooting methods

While this reference manual describes all of the features, protections and configuration options of the MCE, a concrete product might only implement a subset of this functionality. E.g. the power factor correction is only offered in dedicated devices. Please refer to the data sheet for more information.

Intended audience

This document is targeting user of iMOTION™ IMC and IMM series devices that use the Motion Control Engine.

Table of contents

About this document.....	1
Table of contents.....	1
1 Introduction.....	8
2 Software Description.....	10
2.1 Motor Control -Sensorless FOC.....	10
2.1.1 State Handling.....	11
2.1.2 Bootstrap Capacitor Charge	14
2.1.3 Voltage measurement.....	14
2.1.4 Current measurement.....	15
2.1.4.1 Single Shunt Reconstruction	15
2.1.5 Low speed current limit	18
2.1.6 Protection.....	20
2.1.6.1 Flux PLL out-of-control protection.....	20
2.1.6.2 Rotor lock protection.....	20

Introduction

2.1.6.3	Overcurrent Protection.....	21
2.1.6.4	Over Temperature Protection	22
2.1.6.5	Over / under voltage Protection	23
2.1.6.6	Phase Loss Protection.....	23
2.1.7	Catch Spin	24
2.1.7.1	Zero Speed Catch Spin.....	24
2.1.7.2	Forward Catch Spin.....	25
2.1.7.3	Reverse Catch Spin	26
2.1.8	Control Input	28
2.1.8.1	UART control	28
2.1.8.2	Vsp Analog Input	28
2.1.8.3	Frequency input	29
2.1.8.4	Duty Cycle Input Control.....	30
2.1.8.5	Automatic Restart	32
2.1.8.6	Forced control input change	32
2.1.9	Duty Mode Control	33
2.1.10	Hall Sensor Interface.....	33
2.1.10.1	Interface Structure	33
2.1.10.2	Noise Filter	34
2.1.10.3	Hall Input Signal Processing.....	34
2.1.10.4	Hall Initial Position Estimation.....	35
2.1.10.5	Hall Sensor / Sensor-less Hybrid Operation.....	35
2.2	Power Factor Correction	35
2.2.1	State Handling.....	38
2.2.2	Protection.....	39
2.2.2.1	Over Current Protection	39
2.2.2.2	DC Over/Under Voltage Protection	40
2.2.2.3	AC Over/Under Voltage Protection.....	40
2.2.2.4	Input Frequency Protection.....	41
2.3	User Mode UART	42
2.3.1	Data Frame	42
2.3.2	Node Address	42
2.3.3	Link Break Protection	42
2.3.4	Command	42
2.3.5	Checksum	43
2.3.6	UART message.....	43
2.3.6.1	Read Status: Command = 0x00.....	43
2.3.6.2	Clear Fault: Command =0x01.....	44
2.3.6.3	Change Control Input Mode: Command =0x02.....	44
2.3.6.4	Motor Control: Command =0x03	44
2.3.6.5	Register Read: Command = 0x05.....	44
2.3.6.6	Register Write: Command = 0x06.....	44
2.3.6.7	Load and Save Parameter: Command = 0x20	45
2.3.7	Connecting multiple nodes to same network.....	45
2.3.8	UART Transmission Delay	46
2.4	JCOM Inter-Chip Communication.....	46
2.4.1	Operation Mode	46
2.4.1.1	Asynchronous Mode.....	46
2.4.2	Baud Rate	46
2.4.3	Message Frame Structure	46
2.4.4	Command and Response Protocol.....	47
2.4.4.1	Message Object: 0.....	47

Introduction

2.4.4.2	Message Object: 1.....	48
2.4.4.3	Message Object: 6.....	50
2.4.4.4	Message Object: 7.....	50
2.5	Multiple Parameter Programming.....	51
2.5.1	Parameter Page Layout	51
2.5.2	Parameter Block Selection	51
2.5.2.1	Direct Select	51
2.5.2.2	UART Control.....	51
2.5.2.3	Analog Input.....	51
2.5.2.4	GPIO Pins.....	52
2.5.3	Parameter load fault	53
2.6	Script Engine	54
2.6.1	Overview	54
2.6.2	Script Program Structure.....	55
2.6.3	Script Program Execution.....	56
2.6.3.1	Execution Time Adjustment	56
2.6.3.2	Free Running timer	57
2.6.4	Constants.....	57
2.6.5	Variable types and scope	58
2.6.6	Motor and PFC Parameter Access.....	59
2.6.7	Operators.....	59
2.6.8	Expressions.....	60
2.6.9	Decision Structures	60
2.6.10	Loop Structures.....	62
2.6.11	Methods.....	63
2.6.11.1	Bit access Methods.....	63
2.6.11.2	Coherent update methods	64
2.6.12	User GPIOs	65
2.6.12.1	Digital input/Output pins.....	65
2.6.12.2	Analog pins.....	66
2.6.13	Example Script code	67
2.6.13.1	Script Implementation.....	68
3	Register Description	69
3.1	System Control Register (App ID =0).....	70
3.1.1	ParPageConf.....	70
3.1.2	InterfaceConf0.....	71
3.1.3	SysTaskTime.....	72
3.1.4	CPU_Load	72
3.1.5	CPU_Load_Peak.....	72
3.1.6	FeatureID_selectH.....	73
3.1.7	GKConf.....	73
3.1.8	SW_Version.....	73
3.1.9	InternalTemp.....	74
3.2	Motor Control Register (App ID =1)	74
3.2.1	Control Register Group	80
3.2.1.1	HwConfig	80
3.2.1.2	SysConfig.....	81
3.2.1.3	AngleSelect.....	81
3.2.1.4	CtrlModeSelect.....	82
3.2.1.5	APPConfig.....	83
3.2.1.6	PrimaryControlRate	83

Introduction

3.2.1.7	Command.....	83
3.2.1.8	SequencerState.....	85
3.2.1.9	MotorStatus.....	85
3.2.2	PWM Register Group.....	86
3.2.2.1	PwmFreq	86
3.2.2.2	PWMDeadtimeR	86
3.2.2.3	PWMDeadtimeF.....	87
3.2.2.4	SHDelay	87
3.2.2.5	TMinPhaseShift	87
3.2.2.6	TCntMin	88
3.2.2.7	PwmGuardBand.....	88
3.2.2.8	Pwm2PhThr.....	88
3.2.2.9	OffSetAdj0	89
3.2.2.10	OffSetAdj1	89
3.2.3	Speed Control Register Group	89
3.2.3.1	KpSreg	89
3.2.3.2	KxSreg.....	89
3.2.3.3	MotorLim	90
3.2.3.4	RegenLim.....	90
3.2.3.5	RegenSpdThr.....	91
3.2.3.6	LowSpeedLim.....	91
3.2.3.7	LowSpeedGain	91
3.2.3.8	SpdRampRate	91
3.2.3.9	MinSpd.....	92
3.2.3.10	TargetSpeed.....	92
3.2.3.11	TrqRef	92
3.2.3.1	SpdRef	93
3.2.3.2	RotorAngle.....	93
3.2.4	Duty Mode Control Register Group.....	93
3.2.4.1	MIRampRate	93
3.2.4.2	KpMlreg	93
3.2.4.3	KxMlreg.....	94
3.2.4.4	MinMI	94
3.2.4.5	MIndexFilt.....	94
3.2.4.6	TargetMI	94
3.2.4.7	MlRef.....	95
3.2.5	Hall Sensor Interface Register Group	95
3.2.5.1	HallAngleOffset	95
3.2.5.2	Hall2FluxThr	95
3.2.5.3	Flux2HallThr	95
3.2.5.4	HallSampleFilter	96
3.2.5.5	HallSpdFiltBW	96
3.2.5.6	HallTimeoutPeriod.....	96
3.2.5.7	HallAngle	97
3.2.5.8	HallMotorSpeed	97
3.2.5.9	PositionCounter	97
3.2.5.10	PositionCounter_H	97
3.2.6	Flux Estimation PLL Register Group	98
3.2.6.1	Rs	98
3.2.6.2	L0	98
3.2.6.3	LSIncy	98
3.2.6.4	VoltScl.....	99

Introduction

3.2.6.5	PlIkp	99
3.2.6.6	PlIKi.....	99
3.2.6.7	PlIFreqLim	100
3.2.6.8	FlxTau	100
3.2.6.9	AtanTau	101
3.2.6.10	AngMTPA	101
3.2.6.11	SpdFiltBW.....	101
3.2.6.12	SpeedScale.....	101
3.2.6.13	MotorSpeed.....	102
3.2.6.14	FluxAngle.....	102
3.2.6.15	Flx_M.....	102
3.2.6.16	Abs_MotorSpeed.....	102
3.2.6.17	OpenLoopAngle	102
3.2.6.18	FluxMotorSpeed	103
3.2.7	FOC Register Group.....	103
3.2.7.1	lfbkScl.....	103
3.2.7.2	Kplreg	103
3.2.7.3	KplregD.....	104
3.2.7.4	Kxlreg.....	105
3.2.7.5	FwkVoltLvl.....	105
3.2.7.6	FwkKx	105
3.2.7.7	FwkCurRatio.....	105
3.2.7.8	VdqLim.....	106
3.2.7.9	AngDel	106
3.2.7.10	AngLim.....	107
3.2.7.11	ldqFiltBw	107
3.2.7.12	ldRef_Ext	107
3.2.7.13	lqRef_Ext	108
3.2.7.14	ldFilt.....	108
3.2.7.15	lqFilt.....	108
3.2.7.16	ldFwk	108
3.2.7.17	ld.....	108
3.2.7.18	lq.....	109
3.2.7.19	MotorCurrent.....	109
3.2.8	Measurement Register Group.....	109
3.2.8.1	lu	109
3.2.8.2	lv	109
3.2.8.3	IW	110
3.2.8.4	I_Alpha.....	110
3.2.8.5	I_Beta.....	110
3.2.8.6	VdcRaw	110
3.2.8.7	VdcFilt.....	111
3.2.8.8	VTH	111
3.2.9	Protection Register Group	112
3.2.9.1	FaultEnable	112
3.2.9.2	DcBusOvLevel.....	112
3.2.9.3	DcBusLvLevel	113
3.2.9.4	CriticalOvLevel	113
3.2.9.5	RotorLockTime.....	113
3.2.9.6	PLL_OutSyncTime.....	113
3.2.9.7	GateKillFilterTime	114
3.2.9.8	CompRef.....	114

Introduction

3.2.9.9	Tshutdown	114
3.2.9.10	PhaseLossLevel	114
3.2.9.11	SwFaults	115
3.2.9.12	FaultClear	115
3.2.9.13	FaultRetryPeriod	115
3.2.9.14	FaultClear	115
3.2.9.15	FaultFlags	116
3.2.10	Start Control Register Group	117
3.2.10.1	BTS_Chargetime	117
3.2.10.2	TCatchSpin	117
3.2.10.3	DirectStartThr	117
3.2.10.4	ParkAngle	117
3.2.10.5	ParkTime	118
3.2.10.6	OpenLoopRamp	118
3.2.10.7	IS_Pulses	118
3.2.10.8	IS_Duty	119
3.2.10.9	IS_IqInit	119
3.2.11	Control Input Register Group.....	120
3.2.11.1	PGDeltaAngle	120
3.2.11.2	CmdStart	120
3.2.11.3	CmdStop.....	121
3.2.11.4	CmdGain.....	121
3.2.12	Voltage Control Register Group.....	121
3.2.12.1	Vd_Ext.....	121
3.2.12.2	Vq_Ext.....	121
3.2.12.3	V_Alpha.....	122
3.2.12.4	V_Beta.....	122
3.2.12.5	Vd.....	122
3.2.12.6	Vq.....	122
3.2.12.7	MotorVoltage.....	122
3.2.13	Torque Compensation Register Group.....	123
3.2.13.1	TrqCompLim	123
3.2.13.2	TrqCompOnSpeed	123
3.2.13.3	TrqCompOffSpeed	123
3.3	PFC Control Register (App ID =3)	124
3.3.1	Control Register Group	126
3.3.1.1	PFC_HwConfig.....	126
3.3.1.2	PFC_SysConfig	127
3.3.1.3	PFC_SequencerState	127
3.3.1.4	PFC_Command	127
3.3.2	PWM Register Group.....	128
3.3.2.1	PFC_PwmFreq.....	128
3.3.2.2	PFC_TMinOff.....	128
3.3.2.3	PFC_Deadtime.....	128
3.3.2.4	PFC_SHDelay.....	128
3.3.3	Voltage Control Register Group	129
3.3.3.1	PFC_IRectLim	129
3.3.3.2	PFC_IGenLim	129
3.3.3.3	PFC_VdcRampRate	129
3.3.3.4	PFC_KpVreg.....	130
3.3.3.5	PFC_KxVreg.....	130
3.3.3.6	PFC_TargetDCVolt.....	130

Introduction

3.3.3.7	PFC_TargetVolt	130
3.3.3.8	PFC_VoltagePloutput	131
3.3.4	Current Control Register Group	131
3.3.4.1	PFC_Kplreg.....	131
3.3.4.2	PFC_Kxlreg	131
3.3.4.3	PFC_AcDcScale.....	132
3.3.4.4	PFC_LFactor	132
3.3.4.5	PFC_CurrentPloutput	132
3.3.5	Protection Register Group	133
3.3.5.1	PFC_GateKillTime	133
3.3.5.2	PFC_VacOvLevel.....	133
3.3.5.3	PFC_VacLvLevel	133
3.3.5.4	PFC_VdcOvLevel	133
3.3.5.5	PFC_VdcLvLevel	134
3.3.5.6	PFC_FaultEnable.....	134
3.3.5.7	PFC_FaultClear.....	134
3.3.5.8	PFC_SwFaults.....	135
3.3.5.9	PFC_FaultFlags.....	135
3.3.6	Measurement Register Group	136
3.3.6.1	PFC_VdcRaw.....	136
3.3.6.2	PFC_VdcFilt	136
3.3.6.3	PFC_IpfcRaw	136
3.3.6.4	PFC_IpfcAvg	136
3.3.6.5	PFC_IpfcRMS	137
3.3.6.6	PFC_VacRaw.....	137
3.3.6.7	PFC_AbsVacRaw.....	137
3.3.6.8	PFC_VacRMS.....	137
3.3.6.9	PFC_ACPower.....	137
3.4	Script Register (App ID =0)	138
3.4.1	Script_UserVersion.....	138
3.4.2	Script_Command	139
3.4.3	ADC_Resultx [x: 0 to 11]	139
3.4.4	GPIO_IN_L	140
3.4.5	GPIO_IN_H.....	141
3.4.6	GPIO_OUT_L.....	142
3.4.7	GPIO_OUT_H.....	143
4	Motor Tuning	144
4.1	How to check if the current sensing is good.....	144
4.2	Current regulator tuning.....	145
4.3	Difficulty to start the motor	150
4.4	Motor speed not stable	150
4.5	Motor current not stable in field weakening.....	150
4.6	Reducing acoustic noise	150
5	Revision history	151

1 Introduction

This document describes the iMOTION™ software for motor control, power factor correction and additional functions. This Software is offered under the name Motion Control Engine (MCE). Key features of this software are listed below.

- Sensorless FOC control: High performance sensorless Field Oriented Control (FOC) of Permanent Magnet Synchronous Motor (surface mounted and interior mount magnet motors) utilizing fast ADC, integrated op-amps, comparator and motion peripherals of iMOTION™ devices.
- Angle sensing for initial rotor angle detection: Together with direct closed-loop start, initial angle sensing improves motor start performance.
- Single shunt or leg shunt motor current sensing: Provide unique single shunt and leg shunt current reconstruction. Integrated op-amps with configurable gain and A/D converter enable a direct shunt resistor interface to the iMOTION™ device while eliminating additional analog/digital circuitry. Single shunt option can use either minimum pulse method or the phase shift method. Phase Shift PWM provides better startup and low speed performance in single shunt configuration.
- Support 3ph and 2ph PWM modulation: 2ph SVPWM (Type-3) that allows reduction of the switching losses compared with three-phase SVPWM (symmetrical placement of zero vectors).
- Enhanced flux based control algorithm which provides quick and smooth start: The direct closed-loop control of both torque and stator flux (field weakening) are achieved using proportional-integral controllers and space vector modulation with over modulation strategy.
- Supports Boost Mode and Totem-Pole Power Factor Correction (PFC).
- Networking capability with user mode UART: Master and slave mode available, with up to 15 nodes and each node has its own address. Broadcast feature available to update all the slaves at once.
- 15 re-programmable parameter blocks: 15 configuration blocks can be programmed to save the control parameters and each parameter block is 256 bytes in size. Each block can be programmed individually or all 15 blocks at the same time using MCEDesigner.
- Multiple motor parameter support: Each parameter block can be assigned to different motors or hardware platforms.
- Scripting support to enable users to write system level functionalities above motor control and PFC.

Introduction

Table 1 List of Motor Control and Common Protection

Type of Protection	Description	UL60730-1 Certification
Over Current (Gate kill)	This fault is set when there is over current and shutdown the PWM. This fault cannot be masked.	Yes
Critical Over Voltage	This fault is set when the voltage is above a threshold; all low side switches are clamped (zero-vector-braking) to protect the drive and brake the motor. The zero-vector is held until fault is cleared. This fault cannot be masked.	No
DC Over Voltage	This fault is set when the DC Bus voltage is above a threshold.	No
DC Under Voltage	This fault is set when the DC Bus voltage is below a threshold.	No
Flux PLL Out Of Control	This fault is set when motor flux PLL is not locked which could be due to wrong parameter configuration.	Yes
Over Temperature	This fault is set when the temperature is above a threshold.	No
Rotor Lock	This fault is set when the rotor is locked	Yes
Execution	This fault occurs if the CPU load is more than 95%.	Yes
Phase Loss	This fault is set if one or more motor phases are not connected	Yes
Parameter Load	This fault occurs when parameter block in flash is faulty.	Yes
Link Break Protection	This fault is set when there is no UART communication for a defined time limit.	Yes
Hall Invalid Protection	This fault is set when hall interface receives invalid Hall pattern.	No
Hall Timeout Protection	This fault is set when no Hall input transition is detected for a defined period of time. This fault is to detect rotor lock condition in Hall sensor / hybrid mode.	No

Table 2 List of PFC Protection

Type of Protection	Description	UL60730-1 Certification
Over Current (Gate kill)	This fault is set when there is over current and shutdown PWM. Cannot be masked.	Yes
DC Over Voltage	This fault is set when the DC Bus voltage is above a threshold.	No
DC Under Voltage	This fault is set when the DC Bus voltage is under a threshold.	No
AC over voltage	This fault is set when the AC input voltage to PFC is above a threshold.	Yes
AC under voltage	This fault is set when the AC input voltage to PFC is below a threshold.	Yes
Frequency fault	This fault is set when AC input frequency value to PFC is different from set value	Yes
Parameter Load	This fault occurs when wrong values in parameter block in the flash.	Yes

2 Software Description

This section describes MCE motor control and power factor correction features and functions.

2.1 Motor Control -Sensorless FOC

Sensorless Field Oriented Control (FOC) software supports to drive both types of Permanent Magnet Synchronous Motors (PMSM) i.e. constant air-gap surface mount magnet motor and interior mount magnet motors with variable-reluctance. Sensorless FOC algorithm structure is described in Figure 1. The implementation follows the well-established cascaded control structure, with outer speed loop and inner current control loops that vary the motor windings voltages to drive the motor at the target speed. The field weakening block extends the speed range of the drive.

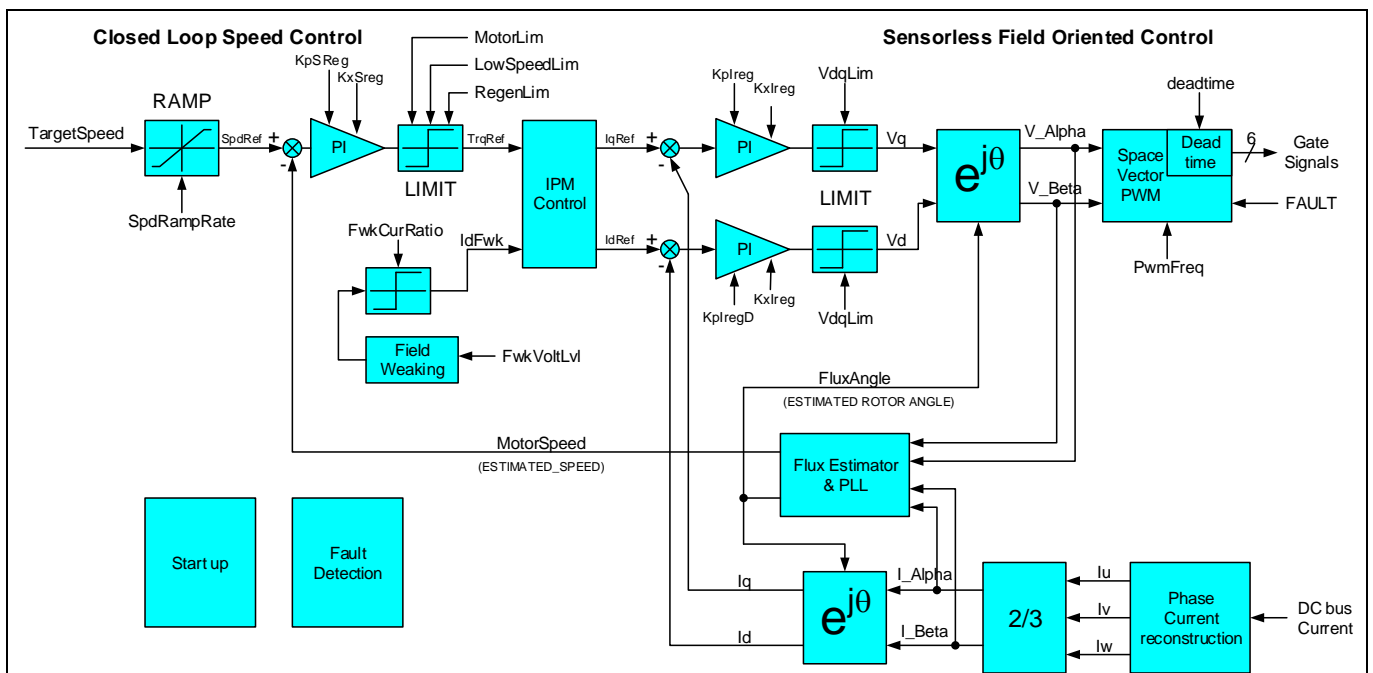


Figure 1 Top Level Diagram of Speed Control Loop and Sensorless FOC

The speed controller calculates the motor torque required to follow the target speed. While the current loops drive the motor currents needed to generate this torque. The proportional plus integral (PI) speed loop compensator acts on the error between the target speed and the actual (estimated) speed. The integral term forces the steady state error to zero while the proportional term improves the high frequency response. The PI compensator gains are adjusted depending on the motor and load characteristics to meet the target dynamic performance. The limiting function on the output of the PI compensator prevents integral windup and maintains the motor currents within the motor and drive capability.

The current loops calculate the inverter voltages to drive the motor currents needed to generate the desired torque. Field oriented control (FOC) uses the Clarke transform and a vector rotation to transform the motor winding currents into two quasi dc components, an I_d component that reinforces or weakens the rotor field and an I_q component that generates motor torque.

Two separate regulators control the I_d and I_q currents and a forward vector rotation transforms the current loop output voltages V_d and V_q into the two phase ac components (V_α and V_β). The Space Vector Pulse Width Modulator (SVPWM) generates the three phase power inverter switching signals based on the V_α and V_β voltage inputs.

Typically, the I_q controller input is the torque reference from the speed controller and the I_d reference current is set to zero. However, above a certain speed, known as the base speed, the inverter output voltage becomes

Software Description

limited by the dc bus voltage. In this situation, the field weakening controller generates a negative I_d to oppose the rotor magnet field that reduces the winding back EMF. This enables operation at higher speeds but at a lower torque output. The controller includes a compensator that adjusts the I_d current to maintain the motor voltage magnitude within the bus voltage limit.

The rotor magnet position estimator consists of a flux estimator and PLL. Flux is calculated based on feedback current, estimated voltages (based on dc bus feedback voltage and modulation index) and motor parameters (inductance and resistance). The output of the flux estimator represents rotor magnet fluxes in Alpha-Beta (stationary orthogonal frame, u-phase aligned with Alpha) two-phase quantities. The angle and frequency phase locked loop (PLL) estimates the flux angle and speed from the rotor magnet flux vector in Alpha-Beta components. The vector rotation calculates the error between the rotor flux angle and the estimated angle. The PI compensator and integrator in the closed loop path force angle and frequency estimate to track the angle and frequency of the rotor flux. The motor speed is derived from the rotor frequency according to the number of rotor poles.

When driving an interior permanent magnet (IPM) motor the rotor saliency can generate a reluctance torque component to augment the torque produced by the rotor magnet. When driving a surface magnet motor, there is zero saliency ($L_d=L_q$) and I_d is set to zero for maximum efficiency. In the case of IPM motor which has saliency ($L_d < L_q$) a negative I_d will produce positive reluctance torque. The most efficient operating point is when the total torque is maximized for a given current magnitude.

2.1.1 State Handling

The Motion Control Engine includes a built-in state machine that takes care of all state-handling for starting, stopping and performing start-up. A state machine function is executed every 1ms. In total there are 10 states; each state has a value between 0-9, the current state of the sequencer is stored in “SequencerState” variable.

Table 3 State Description and Transition

State No	Sequence State	State Functionality	Transition Event	Next Sequence State
0	IDLE	After the controller power up, control enters into this state. If there is no valid parameter block, sequencer stays in this state.	Parameters are loaded successfully.	STOP
1	STOP	Wait for start command. Current and voltage measurement are done for protection.	Current Amplifier offset calculation is not done.	OFFSETCAL
			Start Command.	BTSCHARGE
2	OFFSETCAL	Offset calculation for motor current sensing input. This state takes 8192 PWM cycles.	Current offset calculation completed.	STOP
3	BTSCHARGE	Boot strap capacitor pre-charge. Current and voltage measurement are done for protection.	Bootstrap capacitor charge completed.	CATCHSPIN
4	MOTORRUN	Normal motor run mode	Stop Command	STOP

Software Description

State No	Sequence State	State Functionality	Transition Event	Next Sequence State
5	FAULT	If any fault detected, motor will be stopped (if it was previously running) and enter FAULT state from any other state.	In UART control mode, Fault clear command by writing 1 to “FaultClear” variable	STOP
			In Frequency/ Duty/ VSP input control modes, after 10 seconds.	STOP
6	CATCHSPIN	Flux estimator and flux PLL are running in order to detect the rotor position and measure the motor speed of free running motor. Speed regulator is disabled and the Id & Iq current commands are set to 0.	Measured absolute motor speed is above threshold (“DirectStartThr” parameter)	MOTORRUN
			Measured absolute motor speed is less threshold (“DirectStartThr” parameter)	ANGLESENSING
			Switch to next state if “TCatchSpin” register value is set to zero.	ANGLESENSING
7	PARKING	Parking state is to align the rotor to a known position by injecting a linearly increased current. The final current amplitude is decided by low speed current limit. Total time duration of this state is configured by “ParkTime” register.	Parking completed	OPEN_LOOP
			Switch to next state immediately if “ParkTime” parameter is set to zero.	OPEN_LOOP
8	OPENLOOP	Move the rotor and accelerate from speed zero to MinSpd by using open loop angle. Flux estimator and flux PLL are executed in this state in order to provide smooth transition to MOTOR_RUN state. Speed acceleration of the open loop angle is configured by “OpenLoopRamp” register.	Speed reaches “MinSpd” register value	MOTOR_RUN
			Switch to next state immediately if “OpenLoopRamp” parameter is set to zero	MOTOR_RUN
9	ANGLESENSING	Measure the initial rotor angle. The length of each sensing pulse is configured by “IS_Pulses” (in PWM cycles) register.	Angle Sensing completed	MOTORRUN
			Switch to next state immediately if ”IS_Pulses” parameter is set to zero	PARKING

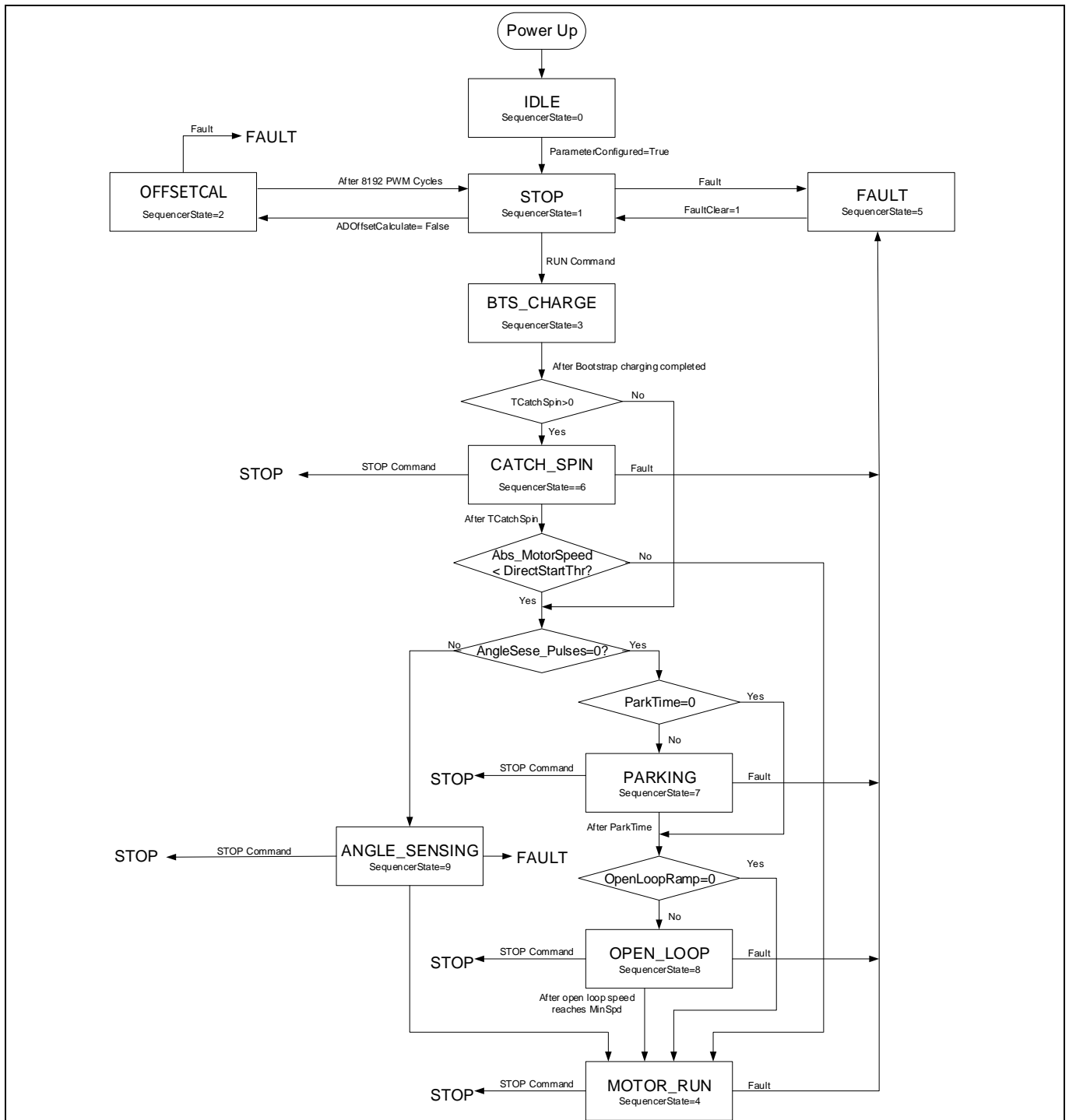


Figure 2 State handling and start control flow chart

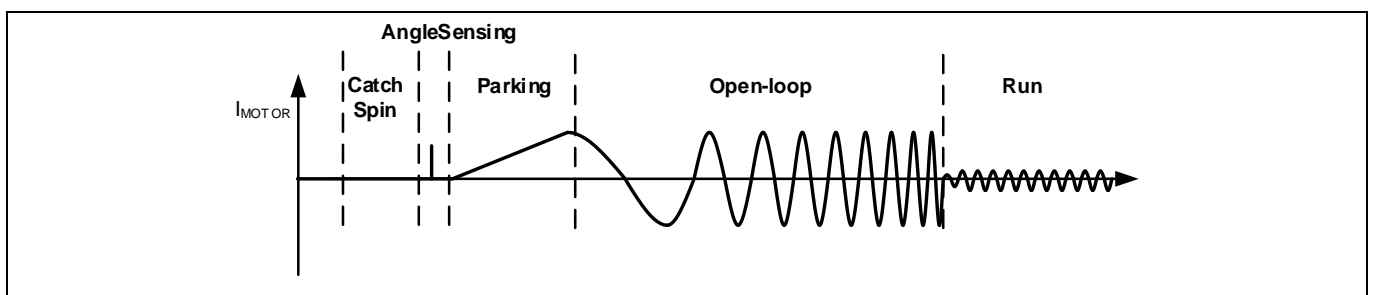


Figure 3 Motor start waveform

2.1.2 Bootstrap Capacitor Charge

Bootstrap capacitors are charged by turning on all three low side switches. The charging current is limited by the built-in pre-charge control function.

Instead of charging all low side devices simultaneously, the gate pre-charge control will schedule an alternating (U, V, W phase) charging sequence. Each phase charges the bootstrap capacitor for a duration of 1 / 3rd of PWM time.

Figure 4 illustrates the PWM signal during bootstrap capacitor charge state.

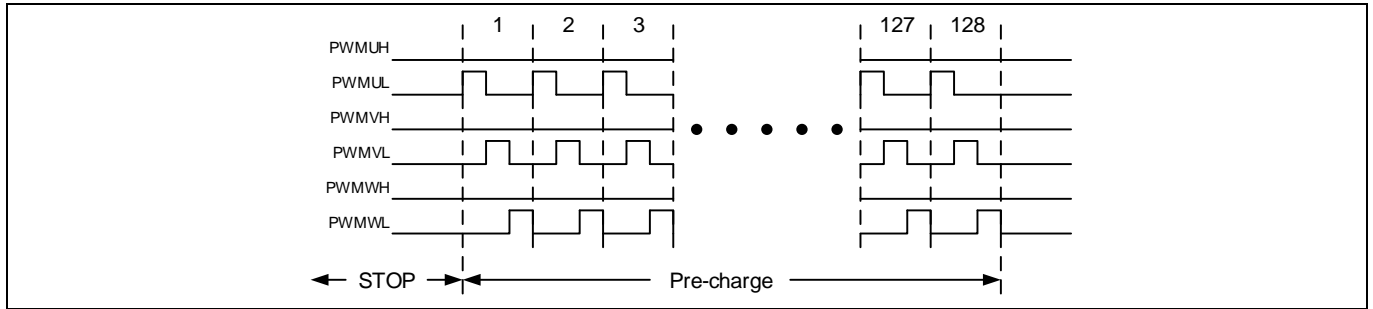


Figure 4 Bootstrap Capacitor Pre-charge

Total charge time for each phase can be calculated: $T_{charge} = \frac{128}{3 * F_{PWM}}$ if pre-charge takes 128 PWM cycles.

For example, if PWM frequency is 10 kHz, minimum charge time of each phase will be: $\frac{128}{3 * 10000} = 4.267(\text{ms})$.

2.1.3 Voltage measurement

The measurement of the DC link voltage of the inverter board is required for voltage protection and DC bus voltage compensation. The voltage is measured at every PWM cycle. DC link voltage of the inverter is measurement via a voltage divider circuit using 12-bit ADC. Measured DC bus voltage is internally represented in 12 bit format.

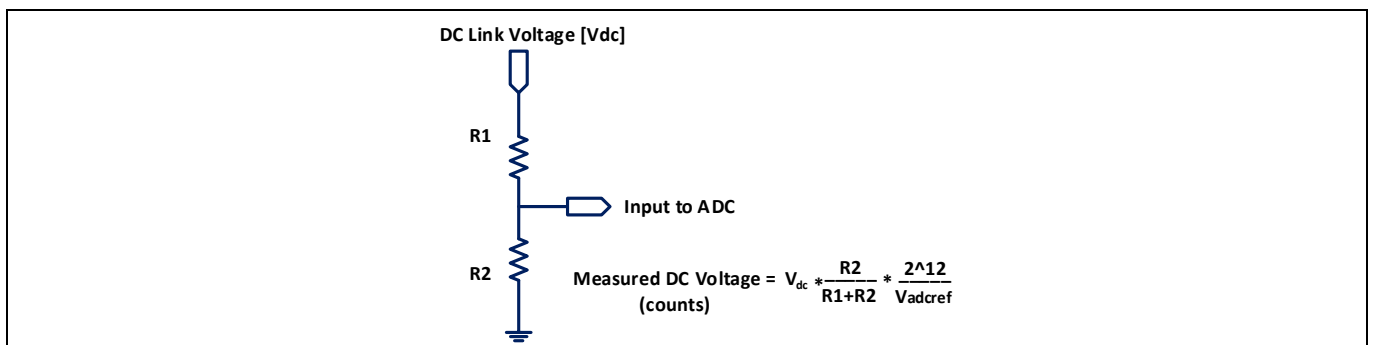


Figure 5 DC Bus voltage feedback signal path

Example: R1 = 2MΩ, R2 = 13.3kΩ, Vadcref= 3.3V and Vdc = 320V; Measured DC bus voltage = 2623 counts

Attention: *In MCEWizard R1 and R2 values shall be configured as per actual hardware used. Wrong configuration may lead to wrong under voltage/over voltage/ Critical over voltage fault or over voltage/under voltage/ critical over voltage conditions may not be detected correctly.*

2.1.4 Current measurement

In order to implement sensor-less field oriented control, it is crucial to measure the motor winding currents precisely. Motor phase current values are used for current control and flux estimator. Current is measured at every PWM cycle. Two types of current measurements are supported in this software.

1. Leg Shunt Measurement : Two Phase current measurement
2. Single shunt Measurement

The internal amplifiers are used for current measurement, no external opamp is required. Internal amplifier gain can be configured using MCEWizard. Current input offset is measured in the “OFFSETCAL” state.

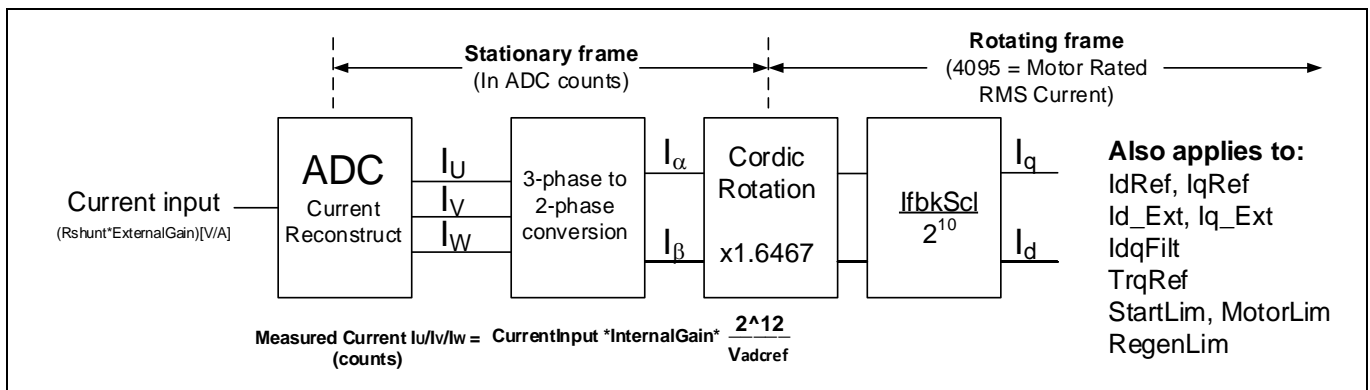


Figure 6 Motor current feedback signal path

Attention: *In MCEWizard current input value shall be configured as per actual hardware used. Wrong configuration may lead to wrong over current fault or over current conditions may not be detected correctly.*

2.1.4.1 Single Shunt Reconstruction

The space vector modulator also generates trigger signals for the current measurement. The motor current reconstruction circuit measures the DC link current in the shunt resistor during the active vectors of the PWM cycle. In each PWM cycle, there are two different active vectors and the DC link current in each active vector represents current on one motor phase. The calculation of the third phase current value is possible because at balanced condition the sum of all the three winding currents is zero.

2.1.4.1.1 Minimum Pulse Width

In single shunt reconstruction method, the current through one of the phases can be sensed across the shunt resistor during each active vector. However, under certain operating conditions i.e. when the resultant vector is at sector crossovers or when the length of the resultant vector is low (low modulation index); the duration of one or both active vectors is too narrow to guarantee reliable extraction of winding current data. These operating conditions are shaded in the space vector diagram shown in Figure 7. In order to guarantee reliable extraction of winding current, a minimum pulse width limit is imposed on each active vector in a PWM cycle. This minimum time is set by the parameter “TcntMin”. For an optimal control performance in this mode, ‘SHDelay’ parameter must be tuned to per actual application hardware.

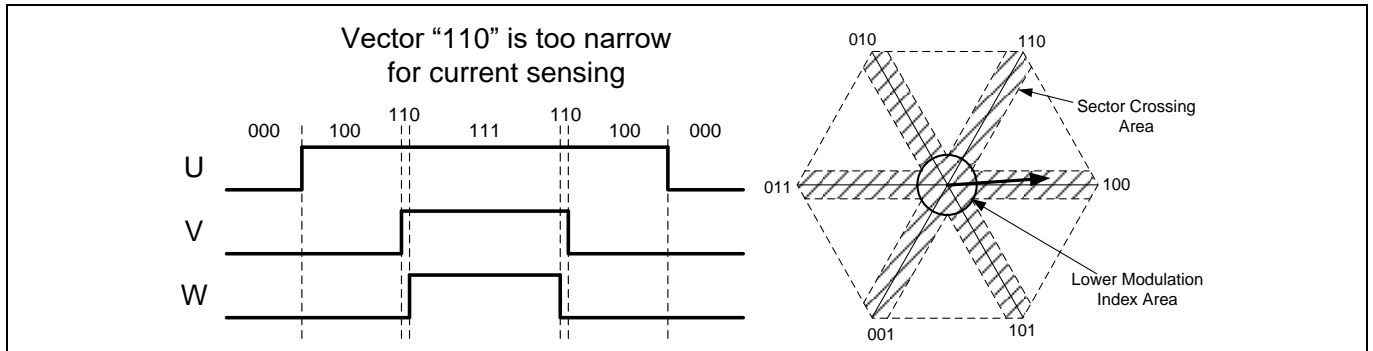


Figure 7 Narrow pulse limitation of single shunt current sensing

2.1.4.1.2 Minimum Pulse Limit and Phase Shift PWM

In a single shunt configuration, the motor current can only be sensed during active vector. In order to allow the ADC to accurately sense the current, each active vector must be ON for a minimum length of time. This imposes a limit on the minimum pulse width of each PWM cycle. This minimum pulse width restriction leads to distortion at lower modulation index or when the resultant voltage vector is transitioning from one sector to another. The resulting distortion may cause audible noise, especially at lower speeds. The shaded regions in the space vector diagram shown in Figure 7 mark the areas which introduce voltage distortion.

Figure 8 illustrates the resulting distortion when the resultant voltage vector is transitioning from one sector to another. Due to minimum pulse width limitation, there is a difference between target output and actual output at sector crossovers. This distortion results in acoustic noise and degradation of control performance.

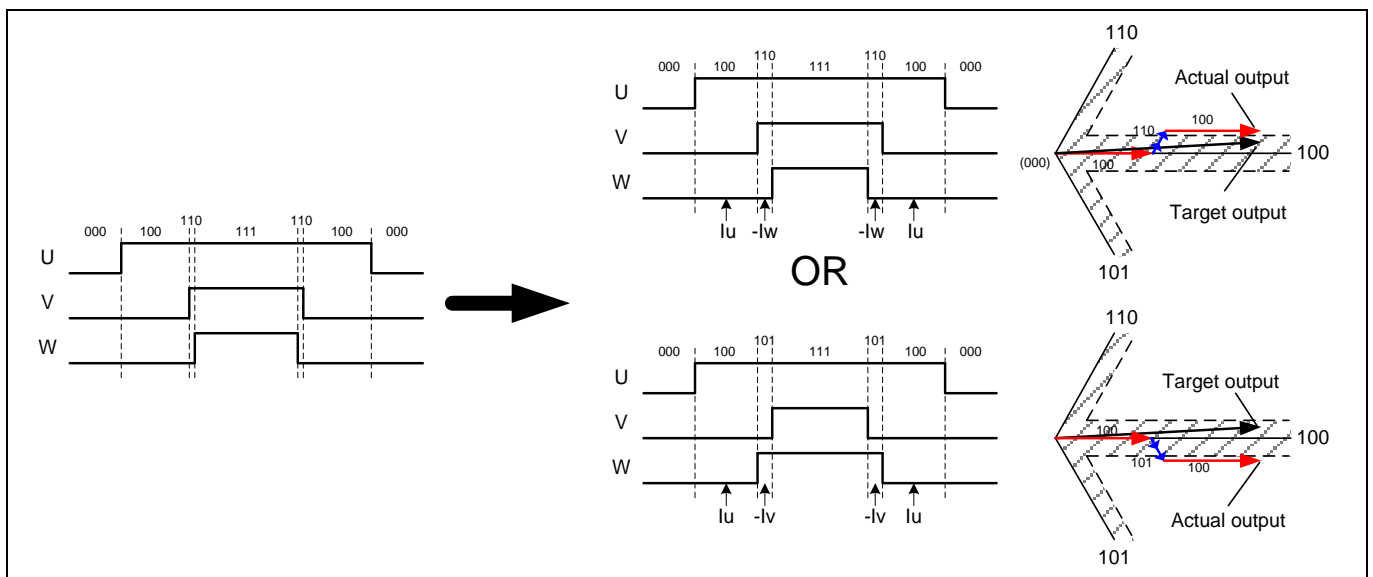


Figure 8 Minimum pulse scheme limitation

In order to eliminate the minimum pulse limitation, MCE provides Phase Shift PWM. In phase shift PWM, the output of each PMW is not always center aligned, it is shifted left to create enough ADC sample time. Figure 9 shows the W phase PWM has been shifted left to create enough time for vector “110”. It can be observed in Figure 9 that the PWM phase shift adds an additional active vector i.e. 101. However, the impact of this additional vector is cancelled due to extension of vector 110 and shrinking of vector 100.

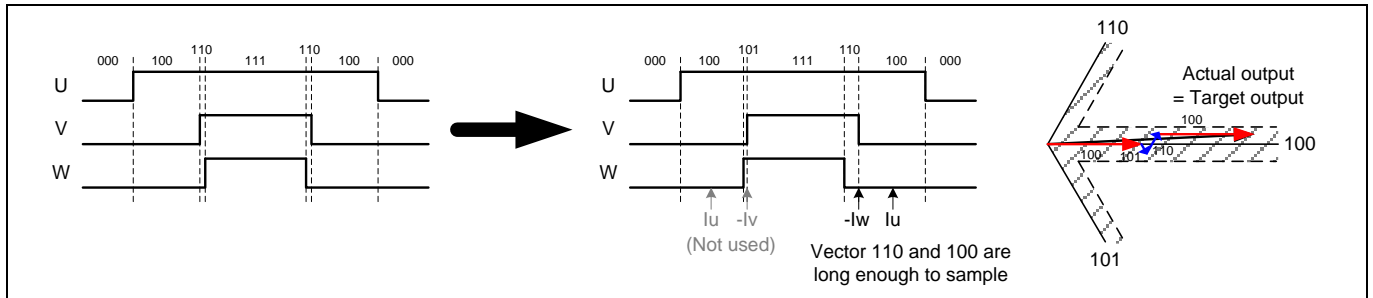


Figure 9 Phase Shift PWM scheme

By using phase shift scheme, the actual output during each cycle will be exactly the same as target output. Control performance at low speed can be improved. The amount of phase shift in the PWM is set by configuring TMinPhaseShift parameter. For an optimal control performance in this mode, TminPhaseShift and SHDelay parameter must be tuned.

2.1.4.1.3 Low Noise Phase Shift PWM

One of the drawbacks of the normal phase shift scheme described in the previous section is that the shifting patterns are different in different sectors, and the change in shifting patterns would cause some acoustic noise, especially when the motor is running at lower speed.

MCE provides low noise phase shift PWM scheme in order to further reduce the acoustic noise when the motor is running at lower speed. With low noise phase shift PWM scheme, the shifting pattern is forced to be fixed for all 6 PWM sectors, so that the acoustic noise caused by shifting pattern change can be eliminated.

As shown in Figure 10, a fixed shifting pattern in the order of W->V->U is chosen with which the available vectors for single-shunt current sensing are vector [110] and [100]. With these 2 effective vectors, motor current on phase W and phase U can be sensed consecutively. The minimum period of these 2 vectors can be configured by using the parameter ‘TMinPhaseShift’.

Figure 10 shows 5 typical output voltage vector examples (A, B, C, D, E) that fall within the sector-crossing area (grey area) using low noise phase shift PWM scheme.

In example A, vector [110] and [100] are already available but vector [100] is too short for sensing phase U current properly. With low noise phase shift PWM scheme, V phase PWM and W phase PWM are shifted asymmetrically to extend the period of vector [100] to form an appropriate window for sensing phase U current.

In example B, vector [110] and [100] are already available but vector [110] is too short for sensing phase W current properly. With low noise phase shift PWM scheme, V phase PWM and W phase PWM are shifted asymmetrically to extend the period of vector [110] to form an appropriate window for sensing phase W current.

In example C, vector [100] is already available, but vector [110] is not available. With low noise phase shift PWM scheme, an additional vector [110] is added to form an appropriate window for sensing phase W current by shifting V phase PWM and W phase PWM asymmetrically. The impact of introducing the additional vector [110] is mitigated thanks to the extension of vector [101] and shrinking of vector [100].

In example D, vector [100] is already available, but vector [110] is not available. With low noise phase shift PWM scheme, an additional vector [110] is added to form an appropriate window for sensing phase W current by shifting V phase PWM and W phase PWM asymmetrically. The impact of adding vector [110] is mitigated thanks to the addition of vector [001].

In example E, vector [100] is already available, but vector [110] is not available. With low noise phase shift PWM scheme, an additional vector [110] is added to form an appropriate window for sensing phase W current by

shifting V phase PWM and W phase PWM asymmetrically. The impact of adding vector [110] is mitigated thanks to the addition of vector [001].

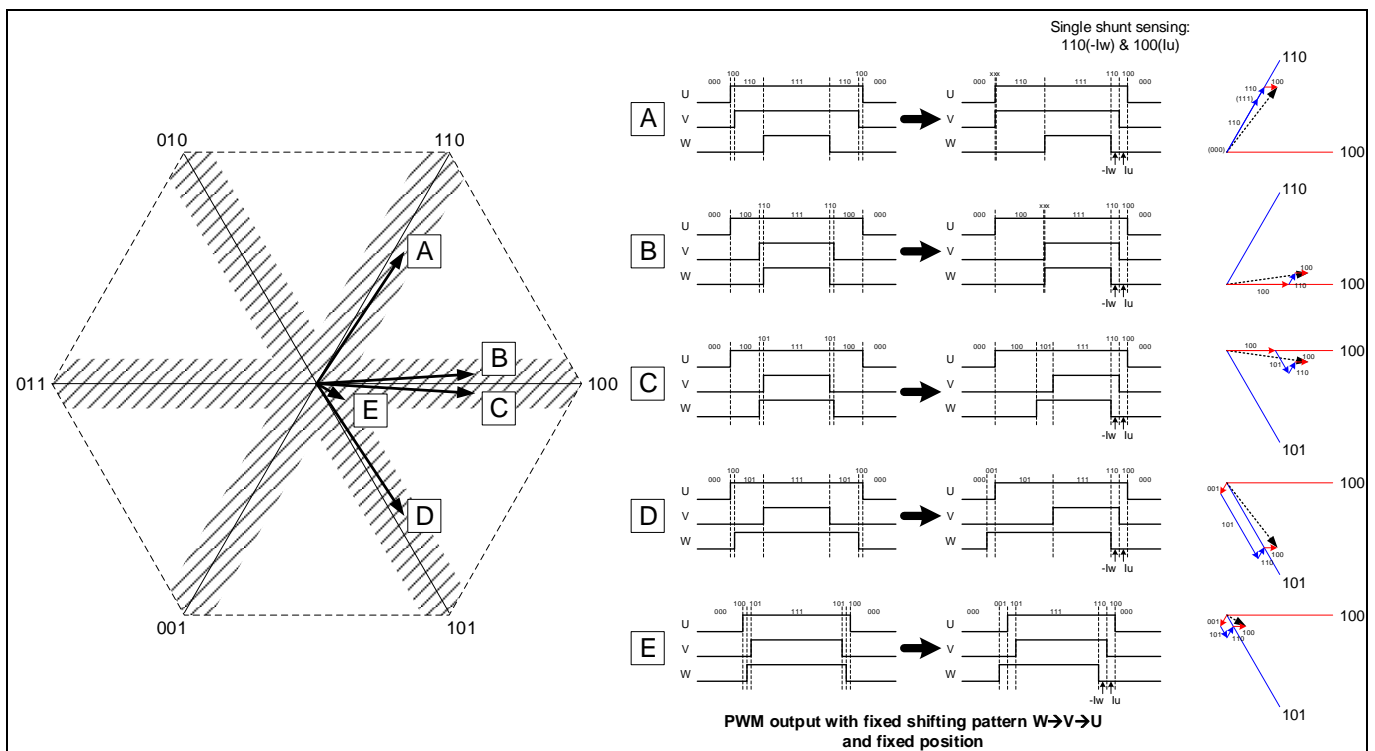


Figure 10 Low Noise Phase Shift PWM Scheme

Since the shifting pattern is fixed, low noise phase shift PWM is only applicable to 3 phase PWM modulation type, and the maximum PWM modulation index is limited. When low noise phase shift PWM scheme is enabled, the MCE automatically shifts to normal phase shift PWM scheme when the modulation index increases to more than 50%. If the modulation index is again decreased below 35%, it automatically shifts back to low noise phase shift PWM scheme.

With low noise phase shift PWM scheme, the actual output voltage during each PWM cycle is still exactly the same as the target output voltage. As a result, acoustic noise level at low speed and start-up performance can be further improved.

To achieve optimal control performance using this PWM scheme, ‘TminPhaseShift’ and ‘SHDelay’ parameters need to be tuned appropriately. Besides, parameter ‘OffsetAdj0’ and ‘OffsetAdj1’ need to be tuned in some cases where excessive motor speed fluctuation is observed. The tuning method for these 2 parameters is as follows. Using Flx_M as a reference, start adjusting parameter ‘OffsetAdj0’ until Flx_M ripple is at its relative minimum. Then adjust the parameter ‘OffsetAdj1’ until Flx_M ripple is reduced further. Adjust these 2 parameters back and forth a few times until Flx_M ripple is as low as possible.

2.1.5 Low speed current limit

Some applications (such as fan) don’t require high current at low speed, in other words, full torque is only required above a certain speed. The MCE provides a low speed current limit feature which reduces the current limit in the low speed region for a smooth startup. This feature provides smooth and quiet start up, and it also can reduce the rotor lock current.

When the motor speed is below the minimum speed ($|MotorSpeed| \leq MinSpd$), motor current is limited by “LowSpeedLim” parameter.

Software Description

The motor current limit increases with the increase in motor speed, and the actual current limit is calculated by the MCE and its gain is specified by “LowSpeedGain” parameter.

When motor is running at high speed ($|MotorSpeed| \geq Low\ Speed\ Threshold$), motor current limit becomes “MotorLim”.

Figure 11 illustrates how low speed current limit works.

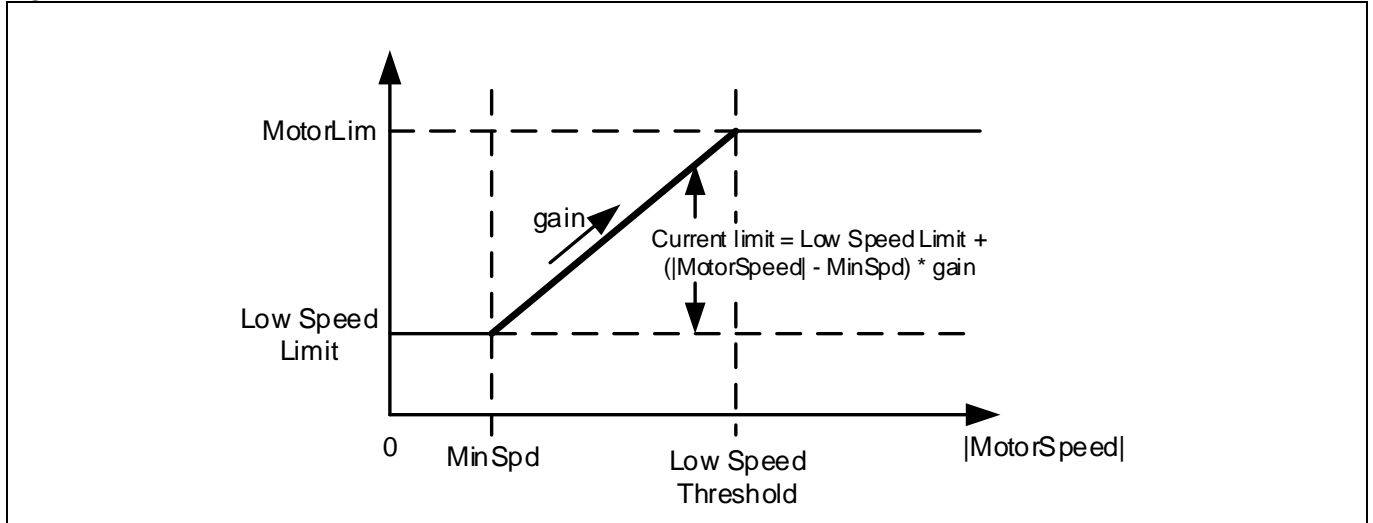


Figure 11 Low speed current limit (Motoring limit)

2.1.6 Protection

2.1.6.1 Flux PLL out-of-control protection

When the Flux PLL is locked to the correct rotor angle, Flx_M, which represent the flux of the permanent magnet of the motor, should be a DC value normalized at 2048 counts. Instead, if the PLL is not locked to correct rotor angle, Flx_M becomes either unstable or its value is far off from 2048 counts. Flux PLL out-of-control protection is the mechanism designed to detect this fault condition.

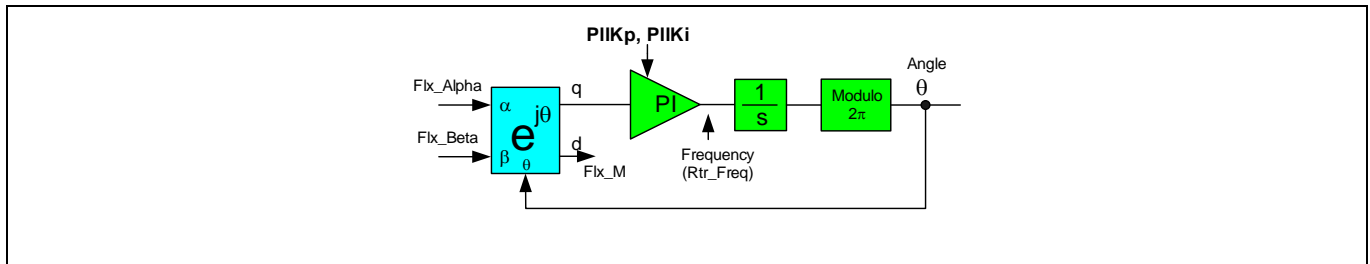


Figure 12 Simplified block diagram of a Flux PLL

This MCE keeps monitoring Flx_M, within certain time slot (configured by “PLL_OutSync_time” parameter), if Flx_M value below 512 or above 8192, and if this happens in 8 continuous time slots (each time slot time is equal to PLL_OutSync_time/8), flux PLL is considered “out-of-control”. See Figure 13 for detail.

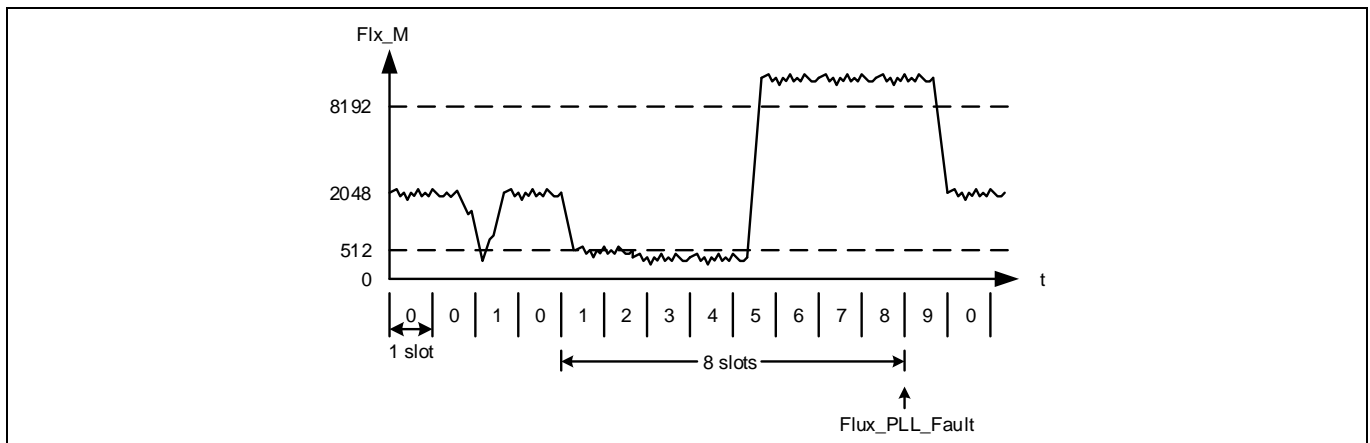


Figure 13 Flux PLL out-of-control protection

If the Flux PLL out-of-control fault is confirmed, then it will be reported by setting the bit 4 in FaultFlags motor variable, and the motor speed loop gets reset. If the bit 4 in FaultEnable motor dynamic parameter is set, then this fault will be reflected in SwFaults motor variable and the motor state machine will shift to FAULT state causing the motor to stop running. If this bit is not set, then the corresponding bit in SwFaults variable will be masked by FaultEnable parameter, so that this fault will not be reflected in SwFaults variable, and the motor state machine will not shift to FAULT state. This protection is also able to detect phase loss condition.

The PLL out-of-control fault response time can be configured by setting motor dynamic parameter PLL_OutSyncTime. The valid range of its value is from 0 to 65535. The value of 1 corresponds to 0.01 seconds. The default value is set to 800, which corresponds to a response time of 8 seconds

2.1.6.2 Rotor lock protection

Rotor lock fault is detected if speed PI output (TrqRef) being saturated for defined time window (configured by “RotorLocktime” parameter). When the motor speed is above 25% of maximum RPM, rotor lock check is disabled; this is to avoid erroneous fault report at higher speed.

Software Description

If the rotor lock fault is confirmed, then it will be reported by setting the bit 7 in FaultFlags motor variable. If the bit 7 in FaultEnable motor dynamic parameter is set, then this fault will be reflected in SwFaults motor variable, and the motor state machine will shift to FAULT state causing the motor to stop running. If this bit is not set, then the corresponding bit in SwFaults variable will be masked by FaultEnable parameter, so that this fault will not be reflected in SwFaults variable, and the motor state machine will not shift to FAULT state and the motor will keep running.

The rotor lock fault response time can be configured by setting the motor dynamic parameter RotorLockTime. The valid range of its value is from 0 to 65535. The value of 1 corresponds to 0.01 seconds. The default value is set to 1000, which corresponds to a response time of 10 seconds. Please note if rotor lock detect time is configured too short, it may trigger the fault during acceleration or momentary high load condition.

Rotor lock detection is not 100% guaranteed to report the fault especially when the motor is running at low speed. The reason is, in rotor lock condition, the PLL might be locked at higher speed which may not cause speed PI output to be saturated.

2.1.6.3 Overcurrent Protection

Gate kill fault is set during over current condition. This over current condition is detected by two sources of inputs

1. Direct Gate kill pin: Gate kill fault is set if input is LOW
2. Internal comparators

It is possible to select either both or any one source for over current detection logic. Over current detection source can be selected by MCEWizard.

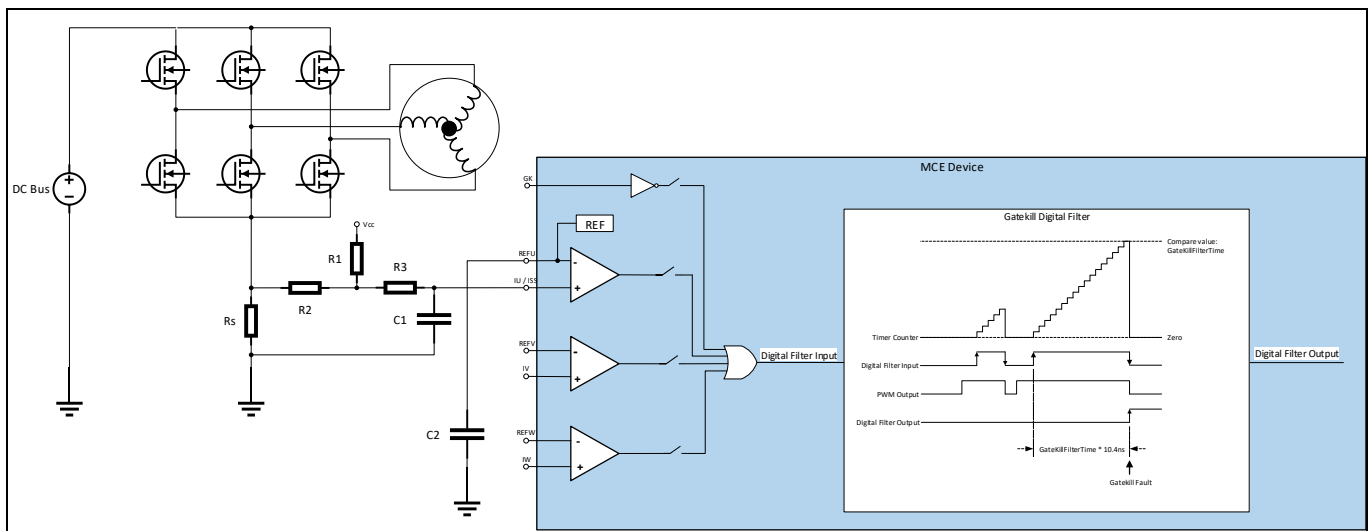


Figure 14 Overcurrent Protection Internal Comparator – Single Shunt

User can select using either the dedicated Gatekill pin or the internal comparators to realize the over-current protection function. In the case of using the Gatekill pin, it is configured to be active LOW. In the case of using the internal comparators, the exact tripping voltage level can be specified by setting the CompRef motor parameter. The current trip level for the internal comparator can be configured using MCEWizard, the 'CompRef' parameter holds the current trip level value. In case of leg shunt current measurement, three internal comparators (Comparator A, B and C mentioned in Figure 15) are used to detect over current condition. Only one internal comparator (Comparator A mentioned in Figure 14) is used for single shunt current measurement.

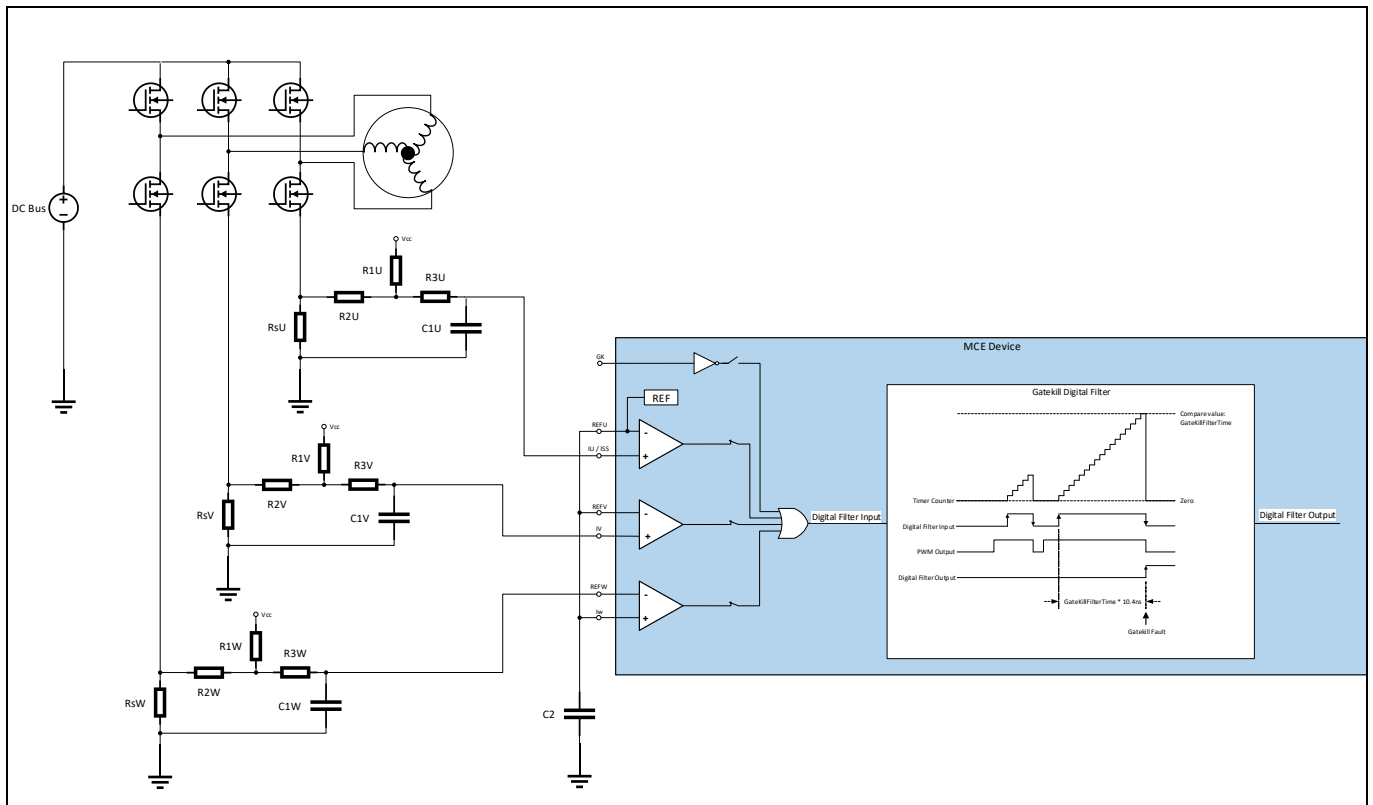


Figure 15 Overcurrent Protection Internal Comparator - Leg Shunt

An internal configurable digital filter is available to avoid high frequency noise mistrigging a gate kill fault. “GatekillfilterTime” parameter holds the gate kill filter value. Input signal needs to be remaining stable for gate kill filter time period to trigger the fault condition.

Gatekill filter timer is configured to be level triggered by the external Gatekill pin or the internal comparator output. If the fault occurs, the timer starts counting. If the external Gatekill pin or the comparator output voltage level changes down to logic zero, then the timer gets reset. If the over-current condition is persistent until the timer counts to GateKillFilterTime, then the Trap State is entered immediately and the PWM outputs go into the programmed passive levels. Accordingly, the over-current fault can only be cleared by writing 1 to the FaultClear motor variable. This fault cannot be masked, so that it will be reflected in SwFaults motor variable, and the motor state machine will shift to FAULT state causing the motor to stop running.

GateKillFilterTime is a type of static motor parameter that specifies the gatekill response time for over-current fault detection. The valid range of its value is from 4 to 960 in clock cycles. The value of 1 corresponds to $1/96\text{MHz} = 10.4167\text{ns}$. The default value is 96, which is $1\mu\text{s}$.

2.1.6.4 Over Temperature Protection

Over temperature protection is realized using external NTC thermistor. If temperature is above Tshutdown, if over temperature Shutdown is enabled, motor will stop and report fault.

The action corresponding to the occurrence of over-temperature fault can be configured by use of the bit 6 in FaultEnable dynamic motor parameter. If this bit is set, then the motor state machine will go to FAULT state and the motor will stop running. If this bit is not set, then the motor state machine will not go to FAULT state and the motor will keep running.

Tshutdown is a type of dynamic motor parameter that specifies the threshold at which the over-temperature fault is triggered. The valid range of its value is from 0 to 4095 in ADC counts. The default value is set to 0. If the

AD conversion result of the voltage at NTC pin falls below this threshold, then an over-temperature fault will be triggered.

2.1.6.5 Over / under voltage Protection

Over/ under voltage fault is detected when DC bus voltage above or below the voltage threshold values. If DC bus voltage is above or below the voltage threshold value and over/ under voltage protection are enabled, motor will stop and report fault.

DC bus voltage is being sampled every motor PWM cycle. The sampled DC bus voltage goes through a Low-Pass Filter to attenuate high-frequency noise, which can be read from VdcFilt motor variable (Index = 137). The time constant of the LPF depends on the motor control PWM frequency. For example, if the motor control PWM frequency is 15 kHz, then the DC bus voltage sampling rate is 15 kHz. In that case, the time constant (Tdelay) is about 2.1ms, and the cut-off frequency is about 76Hz.

If the VdcFilt value is greater than DcBusOvLevel, then a corresponding bit 2 in FaultFlags motor variable is set. If the bit 2 in FaultEnable motor dynamic parameter is set, then this fault will be reflected in SwFaults motor variable, and the motor state machine will shift to FAULT state causing the motor to stop running. If this bit is not set, then the corresponding bit in SwFaults variable will be masked by FaultEnable parameter, so that this fault will not be reflected in SwFaults variable, and the motor state machine will not shift to FAULT state and the motor will keep running.

If the VdcFilt value is lower than DcBusLvLevel, then a corresponding bit 3 in FaultFlags motor variable is set. If the bit 3 in FaultEnable motor dynamic parameter is set, then this fault will be reflected in SwFaults motor variable, and the motor state machine will shift to FAULT state causing the motor to stop running. If this bit is not set, then the corresponding bit in SwFaults variable will be masked by FaultEnable parameter, so that this fault will not be reflected in SwFaults variable, and the motor state machine will not shift to FAULT state and the motor will keep running.

If DC bus voltage is above critical over voltage value, motor will be stop and report fault. During this fault condition zero vectors is applied until the fault is cleared. Critical over voltage fault cannot be disabled.

DcBusOvLevel, DcBusLvLevel and CriticalOvLevel are a dynamic type of motor parameter that specifies the DC bus critical over-voltage tripping level. The valid range of its value is from 0 to 4095 in ADC counts

2.1.6.6 Phase Loss Protection

The MCE detects a motor phase loss condition. If one of the motor phases is disconnected, or the motor windings are shorted together, the parking currents will not have the correct value. During parking state of drive startup, motor phase currents are compared against “PhaseLossLevel” levels to determine whether a phase loss (connection between inverter and motor) is presented. When the Phase Loss Fault is enabled, the controller detects this condition.

PhaseLossLevel is a dynamic type of motor parameter that specifies the low current threshold for phase loss detection logic. The valid range of its value is from 0 to 4095 in ADC counts. The default value is derived from minimum speed limit.

FaultEnable motor dynamic parameter is set, then this fault will be reflected in SwFaults motor variable, and the motor state machine will shift to FAULT state causing the motor to stop running. If this bit is not set, then the corresponding bit in SwFaults variable will be masked by FaultEnable parameter, so that this fault will not be reflected in SwFaults variable, and the motor state machine will not shift to FAULT state and the motor will keep running.

2.1.7 Catch Spin

“Catch Spin” is a feature designed for situations where the motor may already be spinning. Catch spin cannot be done if the motor back EMF voltage is higher than the DC bus voltage; this usually occurs when the motor is running above rated speed. Hence, the catch spin is generally effective up to the rated speed of the motor. The catch spin starting process is part of the state machine and executes at start-up if catch spin is enabled.

In catch spin, the controller tracks the back EMF in order to determine if the motor is turning, and if so, in which direction. Catch spin sequence begins after the bootstrap capacitor charging stage is completed. During catch spin, both I_q Ref and I_d Ref are set to 0 (Speed regulator is disabled), meanwhile flux PLL attempts to lock to the actual motor speed (MotorSpeed) and rotor angle (RotorAngle). Catch spin time, defined by $T_{CatchSpin}$ parameter. Once catch spin time is elapsed, calculated motor speed check with “DirectStartThr” parameter value. If motor speed is more than or equal to “DirectStartThr” parameter value, normal speed control starts, current motor speed will become the initial speed reference and also set as the speed ramp starting point. Depending on the set target speed, motor will decelerate (via regenerative braking) or accelerate to reach the desired speed. If motor speed is less than “DirectStartThr” parameter value, motor state changes to “ANGLESENSING” state.

Depending upon the direction of rotation, there are 3 types of catch spin scenarios

- Zero Speed Catch Spin
- Forward Catch Spin
- Reverse Catch Spin

2.1.7.1 Zero Speed Catch Spin

If the motor is stationary, then the catch spin sequence is termed as ‘Zero Speed Catch Spin’. Figure 16(A) shows an example for ‘Zero Speed Catch Spin’. In this example, at the start command, the motor is stationary. After the start command, ‘Zero Speed Catch Spin’ sequence begins. During the catch spin sequence, no motoring current is injected. After the catch spin time has elapsed, the motor speed at that instance (which is 0 RPM) becomes initial speed reference and starting point for speed ramp reference. The motor continues to accelerate, following the speed ramp reference to reach the set target speed.

If catch spin is disabled, normal speed control starts immediately after the start command, without waiting for PLL to be locked. As shown in Figure 16 (B), after the start command, motoring current is injected directly as there is no catch spin sequence. The motor starts accelerating, following the speed ramp reference to reach the set target speed.

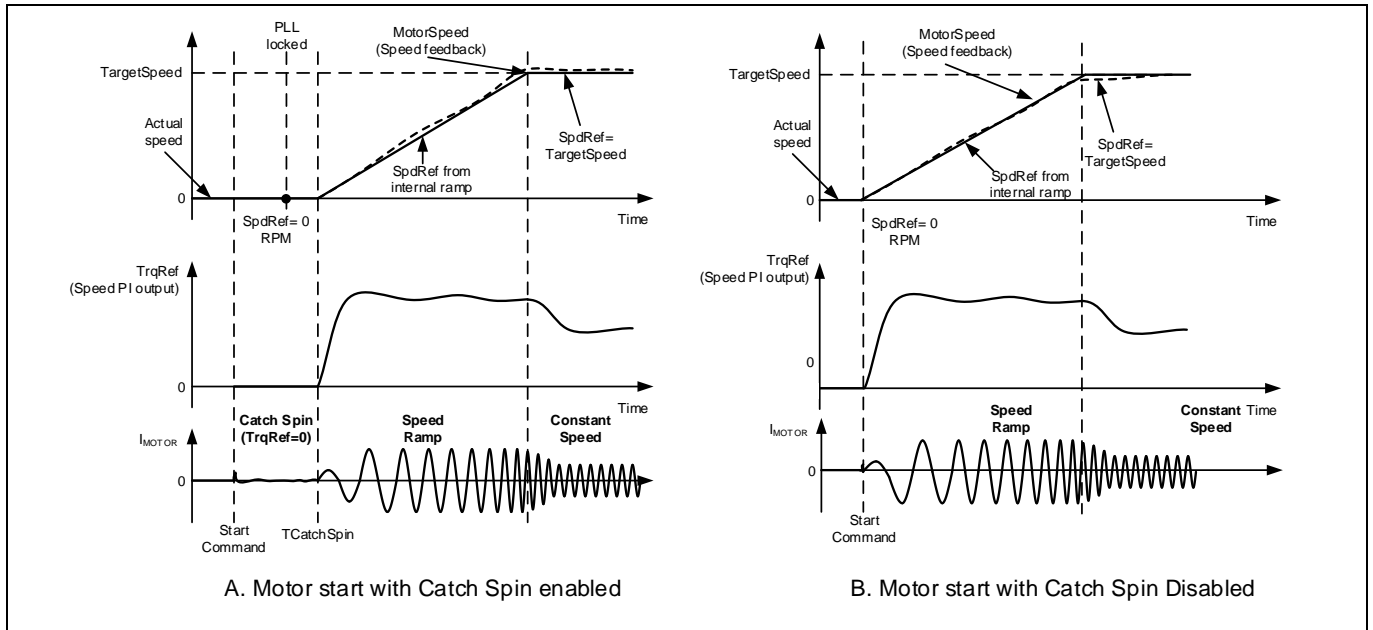


Figure 16 Zero Speed Catch Spin - Motor start with/without catch spin

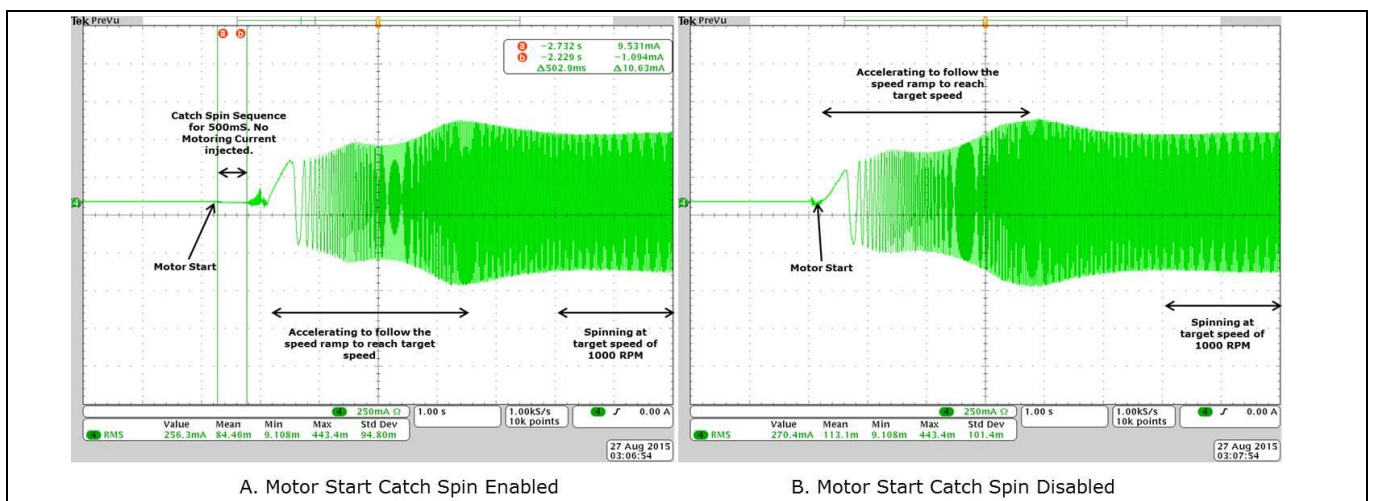


Figure 17 Motor Phase Current - Zero Speed Catch Spin - Motor start with/without catch spin

2.1.7.2 Forward Catch Spin

If the motor is spinning in the same direction as desired, then the catch spin sequence is termed as ‘Forward Catch Spin’. Figure 18 (A) shows an example for ‘Forward Catch Spin’. In this example, at the start command the motor is already spinning (in the desired direction). During the catch spin time, no motoring current is injected. After the catch spin time has elapsed, assuming the flux PLL locks to the actual motor speed, the motor speed at that instance becomes initial speed reference and starting point for speed ramp reference. The motor continues to accelerate or decelerate, following the speed ramp reference to reach the set target speed.

If catch spin is disabled, normal speed control starts immediately after the start command, without waiting for PLL to be locked. Usually the control would still be able to start a spinning motor, but motor speed may not increase/decrease seamlessly. As shown in Figure 18 (B), after the start command, the actual motor speed is higher than speed reference (SpdRef). Hence, the motor is decelerated (using regenerative braking) to force the motor to follow the speed reference (SpdRef). As the speed of the motor is higher than Regen Speed Threshold (RegSpdThr), the negative torque injected in the motor to achieve deceleration is limited by the value in RegenLim parameter. Once the motor speed matches the speed reference, the motor starts accelerating, following the speed ramp reference to reach the set target speed.

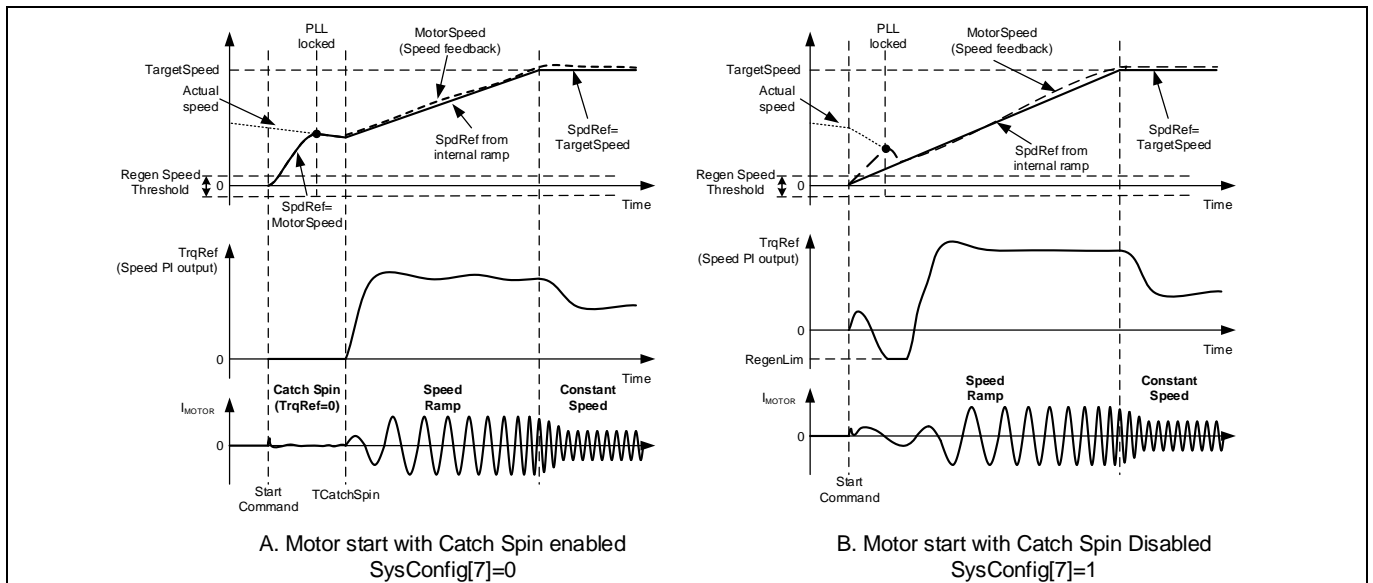


Figure 18 Forward Catch Spin - Motor start with/without catch spin

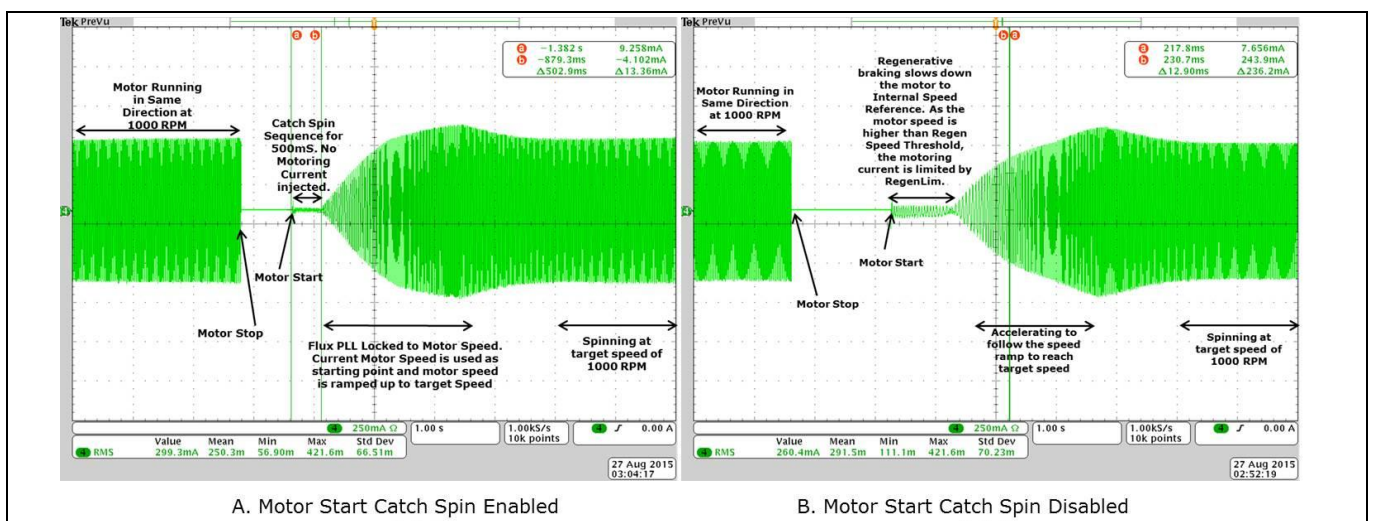


Figure 19 Motor Phase Current Waveform - Forward Catch Spin - Motor start with/without catch

2.1.7.3 Reverse Catch Spin

If the motor is spinning in the opposite direction as desired, then the catch spin sequence is termed as ‘Reverse Catch Spin’. Figure 20 (A) shows an example of ‘Reverse Catch Spin’. In this example, at the start command, the motor is already spinning (in the opposite direction). During the catch spin sequence, no motoring current is injected. After the TCatchSpin time has elapsed, the motor is still spinning in opposite direction at a speed higher than Regen Speed Threshold (RegenSpdThr), thus an injected torque, limited by the value defined in RegenLim parameter, forces the motor to decelerate via regenerative braking. Once the speed of the reverse spinning motor falls below Regen Speed Threshold (RegenSpdThr), the injected torque is limited by MotorLim (RegenLim<=MotorLim). The injected torque forces the motor to come to a stop and start accelerating in the desired spin direction, following the speed ramp reference to reach the set target speed.

If catch spin is disabled, normal speed control starts immediately after the start command, without waiting for PLL to be locked. Usually the control would still be able to start a spinning motor, but motor speed may not increase/decrease seamlessly. As shown in Figure 20 (B), after the start command, the motor is still spinning at a speed higher than Regen Speed Threshold (RegenSpdThr), hence the injected torque limited by the value defined in RegenLim parameter, forces the reverse spinning motor to decelerate via regenerative braking. Once

the speed of the reverse spinning motor falls below Regen Speed Threshold (RegenSpdThr), the injected torque is limited by MotorLim (RegenLim<=MotorLim). The injected torque forces the motor to come to a stop and start accelerating in the desired spin direction, following the speed ramp reference to reach the set target speed.

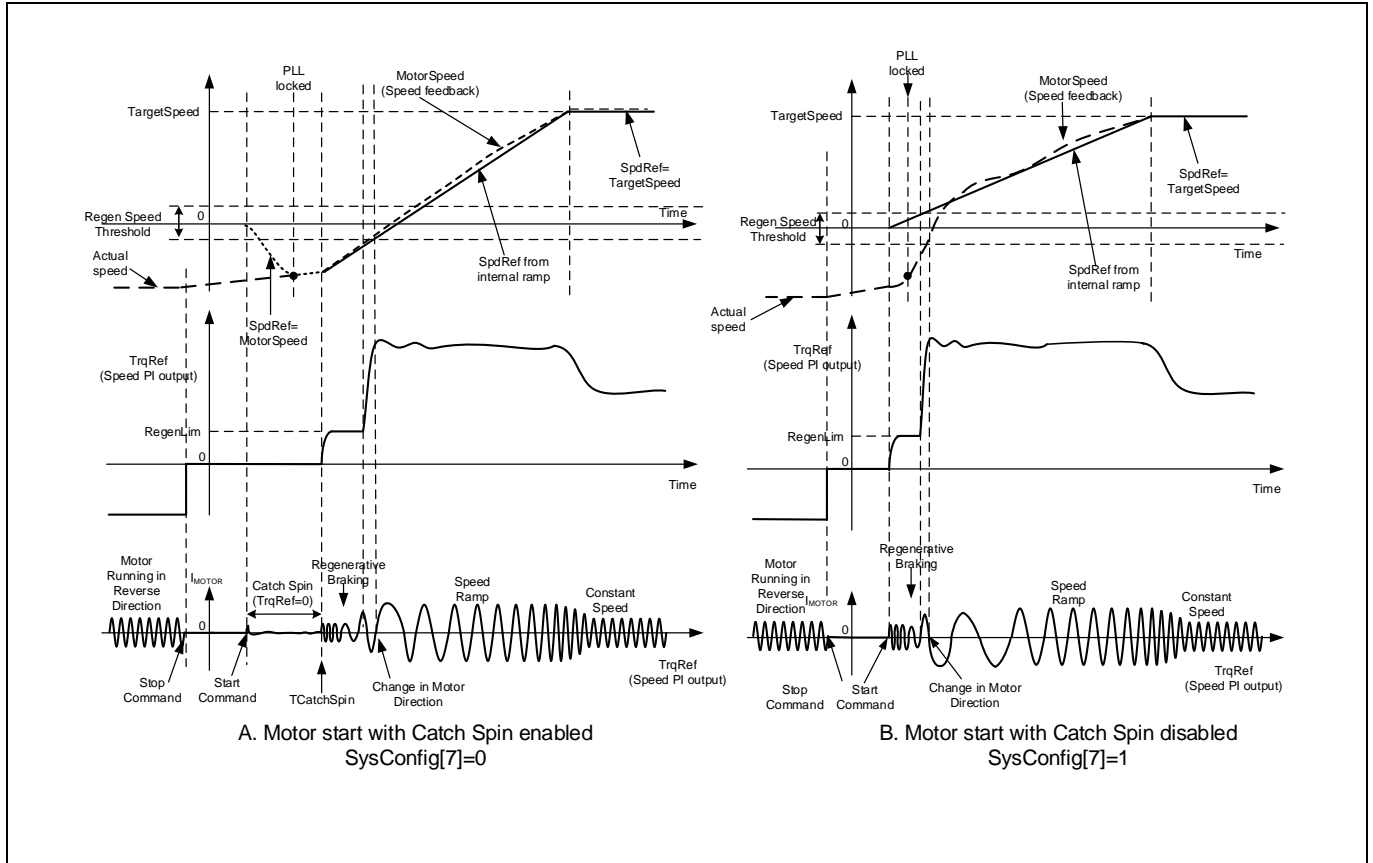


Figure 20 Reverse Catch Spin - Motor start with/without catch spin

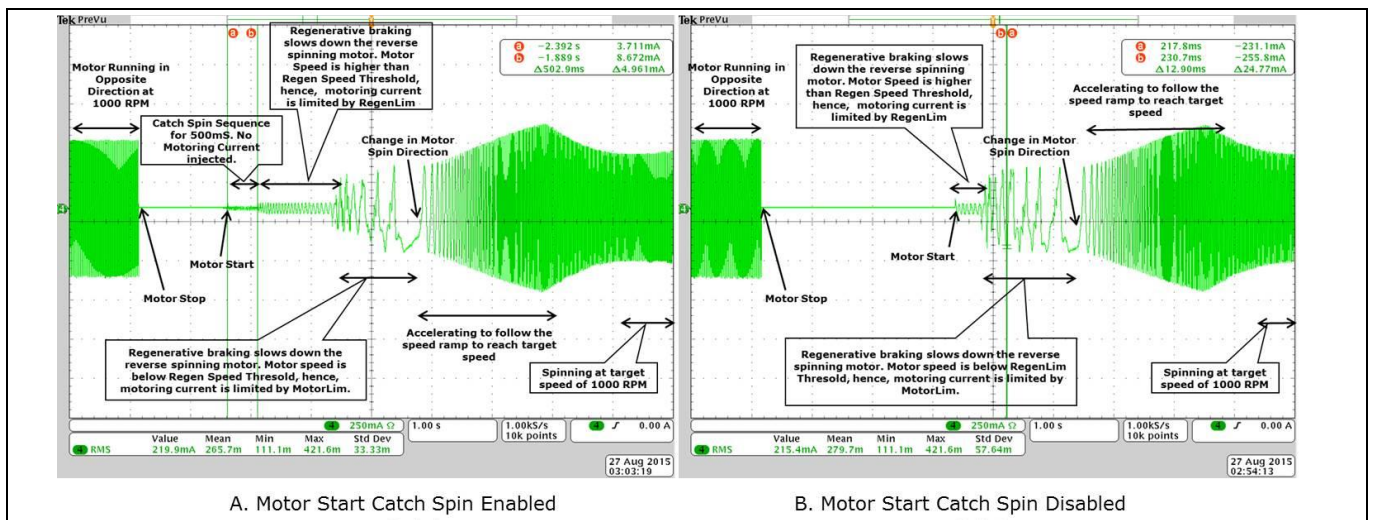


Figure 21 Motor Phase Current Waveform - Reverse Catch Spin - Motor start with/without catch spin

2.1.8 Control Input

MCE is able to control the motor from 4 types of inputs. Type of control input can be configured using MCEWizard.

- UART control
- Vsp analog input
- Frequency input
- Duty cycle input

2.1.8.1 UART control

In UART control mode, motor start, stop and speed change are controlled by UART commands. Target speed can be positive or negative; motor will spin in reverse direction if Target Speed is negative. If any fault condition happens, motor will stop and stay in fault status. It is up to master controller when to clear the fault and restart the motor.

2.1.8.2 Vsp Analog Input

In Vsp Analog Input control mode, the motor operations like motor start, motor stop and speed change are controlled by applying an analog voltage signal. Direction of the motor is controlled by a separate pin. If the direction pin is LOW, target speed will be set as positive and if the direction pin is HIGH, target speed will be set as negative value; motor will spin in reverse direction if target speed is negative. MCE uses “VSP” pin as the Vsp Analog input and uses “DIR” pin as motor direction input. The relationship between Vsp voltage and motor target speed is shown in Figure 22.

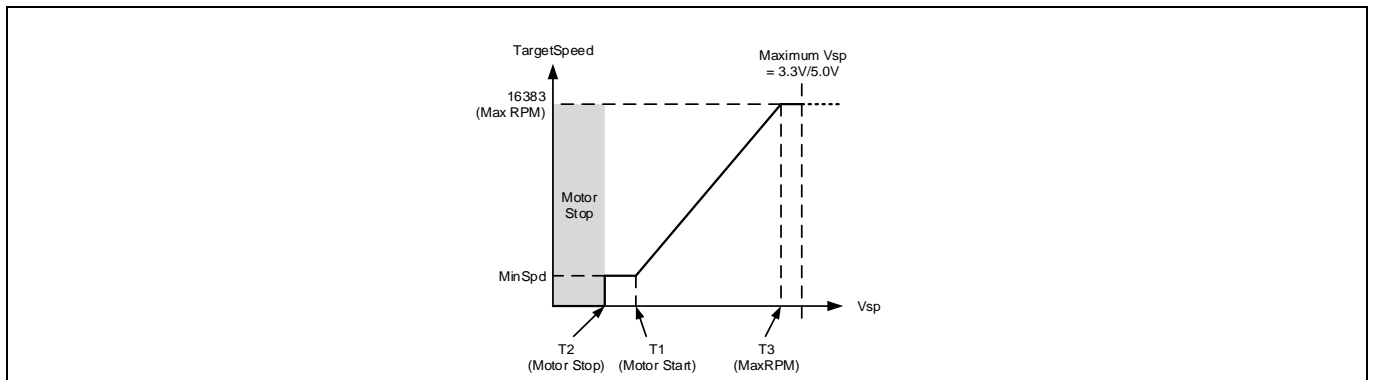


Figure 22 Vsp Analog Input

There are three input thresholds used to define the relationship between input voltage and target Speed.

- T1 (Input threshold for motor start): if the Vsp analog voltage is above this threshold, motor will start
- T2 (Input threshold for motor stop): if the Vsp analog voltage is below this threshold, motor will stop
- T3 (Input threshold for MaxRPM): if the Vsp analog voltage is higher or equal to this threshold, “TargetSpeed” variable will be 16383 which is maximum speed.

MCEWizard uses these three input thresholds to calculate the value of three parameters: “CmdStart”, “CmdStop” and “CmdGain”

$$CmdStop = Integer \left\{ \left(\frac{T2 * 2}{Vadcref} * 2048 \right) + 0.5 \right\}$$

Where T2 = Analog Vsp Motor Stop Voltage in V.

$$CmdStart = Integer \left\{ \left(\frac{T1 * 2}{V_{adcref}} * 2048 \right) + 0.5 \right\}$$

Where T1 = Analog Vsp Motor Start Voltage in V.

$$CmdGain = Integer \left\{ \left(\frac{Speed_{Max} - Speed_{Min}}{Speed_{Max}} * 2^{12} \right) * \left(\frac{2^{14}}{\left(\left(4096 * 32 * \frac{T3}{V_{adcref}} \right) - (CmdStart * 32) \right)} \right) + 0.5 \right\}$$

Where T3 = Analog Vsp Motor Max RPM Voltage in V

Speed_{Max} = Maximum motor speed in RPM

Speed_{Min} = Minimum motor speed in RPM

Table 4 Specification for Analog Input Voltage

Recommended input range	Vsp Analog input (0.1V to V _{adcref})
T1	<50% of V _{adcref}
T2*	<50% of V _{adcref}
T3**	< V _{adcref}

Note: * T2 must be < T1 and **T3 must be > T2

Refer IMC data sheet for input range for specific devices and pin details. This feature is not available in UART control mode.

2.1.8.3 Frequency input

In Frequency Input control mode, the motor operations like motor start, motor stop and speed change are controlled by applying a square wave frequency signal on digital IO pin. Direction of the motor is controlled by a separate pin. If the direction pin is LOW, target speed will be set as positive and if the direction pin is HIGH, target speed will be set as negative value; motor will spin in reverse direction if target speed is negative. MCE uses “DUTYFREQ” pin as the frequency input and uses “DIR” pin as motor direction input. The relationship between Frequency and motor target speed is shown in Figure 23

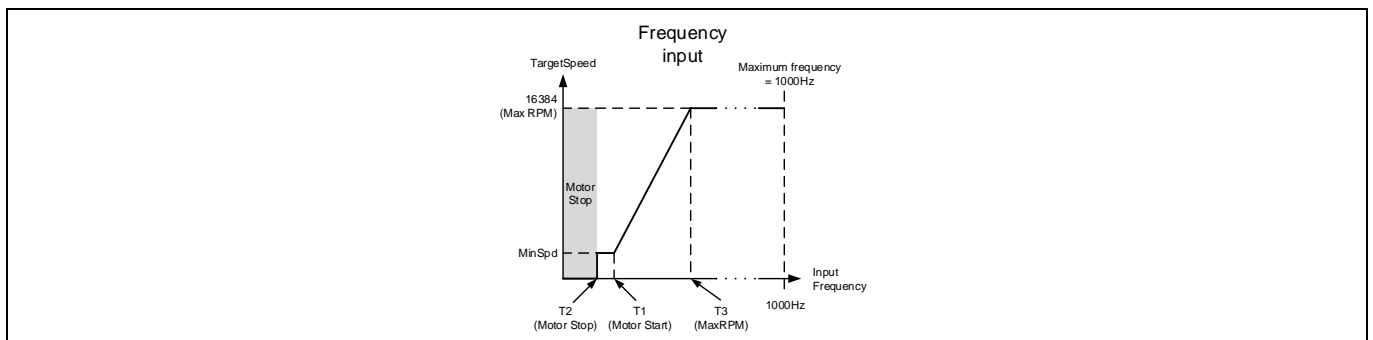


Figure 23 Frequency Input

There are three input thresholds used to define the relationship between frequency input and target Speed.

- T1 (Input threshold for motor start): if the frequency input is above this threshold, motor will start
- T2 (Input threshold for motor stop): if the frequency input is below this threshold, motor will stop

Software Description

- T3 (Input threshold for MaxRPM): if the frequency input is higher or equal to this threshold, target Speed will be 16383 which is maximum speed.

MCEWizard uses these three input thresholds to calculate the value of three parameters: “CmdStart”, “CmdStop” and “CmdGain”

$$CmdStop = Integer \{T2 * 10 + 0.5\}$$

Where T2 = Motor Stop Speed Frequency in Hz.

$$CmdStart = Integer \{T1 * 10 + 0.5\}$$

Where T1 = Motor Start Speed Frequency in Hz.

$$CmdGain = Integer \left\{ \left(2^{12} * \frac{\left(16384 - \left(\frac{Speed_{Min}}{Speed_{Max}} * 16384 \right) \right)}{(T3 - T1) * 32 * 10} \right) + 0.5 \right\}$$

Where T1 = Motor Start Speed Frequency in Hz,

T3 = Motor Max Speed Frequency in Hz,

Speed_{Max} = Maximum motor speed in RPM,

Speed_{Min} = Minimum motor speed in RPM.

Table 5 Specification of Frequency Input

Recommended input range	Frequency input (5Hz – 1000Hz ,10% – 90% duty cycle)
T1	≤ 255Hz
T2*	≤ 255Hz
T3**	≤ 1000Hz

Note: * T2 must be < T1 and **T3 must be > T2

Refer IMC data sheet for input range for specific devices and pin details. This feature is not available in UART control mode.

2.1.8.4 Duty Cycle Input Control

In Duty Cycle Input control mode, the motor operations like motor start, motor stop and speed change are controlled by varying the duty cycle of a rectangular wave signal on digital IO pin. Direction of the motor is controlled by a separate pin. If the direction pin is LOW, target speed will be set as positive and if the direction pin is HIGH, target speed will be set as negative value; motor will spin in reverse direction if target speed is negative. MCE uses “DUTYFREQ” pin as the duty input and uses “DIR” pin as motor direction input. The relationship between duty cycle and motor target speed is shown in Figure 24

In duty cycle control mode, the pre-scaler of capture timer has much wider range than frequency control mode. This allows higher input frequency in duty cycle control mode; the recommended input frequency range is 5Hz to 20 kHz. Please note that any external R/C low pass filter on the input pin may affect the duty cycle measurement especially when the input frequency is above 1 kHz.

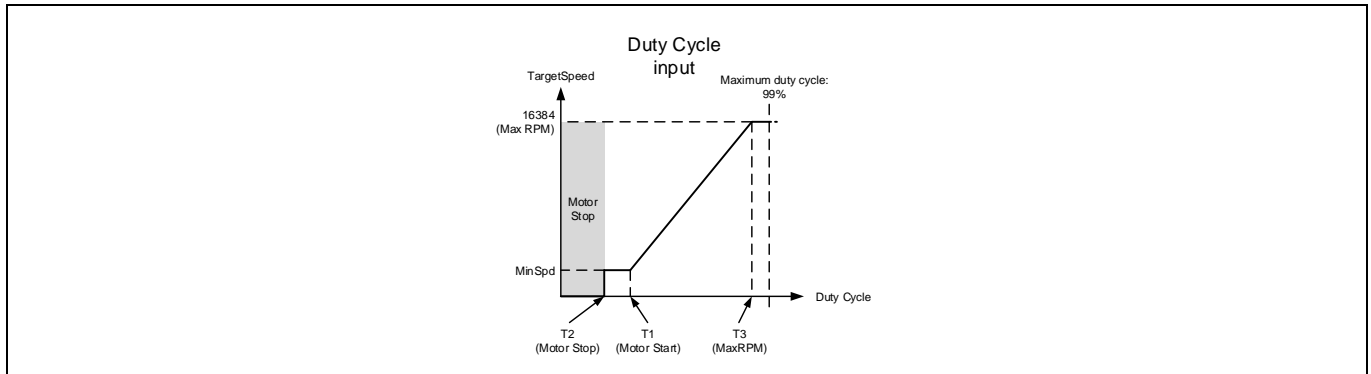


Figure 24 Duty Cycle Input

There are three input thresholds used to define the relationship between duty cycle input and target Speed.

- T1 (Input threshold for motor start): if the duty cycle input is above this threshold, motor will start
- T2 (Input threshold for motor stop): if the duty cycle input is below this threshold, motor will stop
- T3 (Input threshold for MaxRPM): if the input reaches or above this threshold, “TargetSpeed” variable will be 16383 which is maximum speed.

MCEWizard uses these three input thresholds to calculate the value of three parameters: “CmdStart”, “CmdStop” and “CmdGain”

$$CmdStop = Integer \{T2 * 10 + 0.5\}$$

Where T2 = Motor Stop Speed Duty Cycle in %.

$$CmdStart = Integer \{T1 * 10 + 0.5\}$$

Where T1 = Motor Start Speed Duty Cycle in %.

$$CmdGain = Integer \left\{ \left(\frac{Speed_{Max} - Speed_{Min}}{Speed_{Max}} * 2^{12} \right) * \left(\frac{2^{14}}{((T3 * 10) - (CmdStart)) * 32} \right) + 0.5 \right\}$$

Where T1 = Motor Start Speed Duty Cycle in %,

T3 = Motor Max Speed Duty Cycle in %,

SpeedMax = Maximum motor speed in RPM,

SpeedMin = Minimum motor speed in RPM.

MCEWizard uses these three input thresholds to calculate the value of three parameters: “CmdStart”, “CmdStop” and “CmdGain”

Table 6 Specification of Duty Cycle Input

Recommended input range	Duty cycle input (5Hz – 20kHz, 1% – 99% duty cycle)
T1	<50%
T2*	<50%
T3**	≤ 99%

Note: * T2 must be < T1 and **T3 must be > T2

Refer IMC data sheet for input range for specific devices and pin details. This feature is not available in UART control mode.

2.1.8.5 Automatic Restart

In Vsp, frequency or duty cycle control input mode, It is possible to restart the motor after any fault condition for predefined times. FaultRetryPeriod parameter is using to configure number of retry and retry interval.

This feature is not available in UART control mode.

2.1.8.6 Forced control input change

If required by some debug purpose, it is possible to change the control inputs by sending UART command from master controller (or PC), and then a new mode will be effective immediately. If the control input is switched to UART control from the other three inputs, motor status (run/stop and “TargetSpeed” variable) will be unchanged until it receives a new motor control command.

2.1.9 Duty Mode Control

Duty mode control is designed to provide a control scheme that is compatible with classic open-loop duty control method that is widely used by legacy motor control modules.

The following Figure 25 depicts the structure of the duty mode control loop. In this mode, the control target of the outer loop is Modulation Index (MI), which is the inverter output voltage vector norm. MI is obtained by calculating the square root of the sum of 2-phase V_alpha square and V_beta square in stationary reference frame. The calculated MI is always positive, so that it is necessary to assign a negative sign to the calculated MI to reflect the correct rotating direction when the motor runs in reverse direction. If the motor speed is currently zero and 'MIRef' value is negative, then the motor speed is adjusted to -1 count to ensure correct MI calculation in the next update cycle. After going through necessary sign adjustment, the calculated MI is low-pass filtered digitally (represented by parameter 'MIndexFilt'). The time constant of the digital filter is 64 times of the fast loop update cycles. 'MIndexFilt' is compared against 'MIRef', and the error goes through a PI compensator to generate the desired torque reference represented by parameter 'TrqRef'. The maximum value of the desired torque reference is limited by 'MotorLim' or 'LowSpeedLim' depending on the motor speed, and the minimum value of the desired torque reference is limited by 'RegenLim'. The downstream signal processing path is the same as in the case of speed control mode shown in Figure 1.

In duty mode control, the actual motor speed varies depending on the load conditions.

Duty mode control can be enabled by setting CtrlModeSelect = 3. Please refer to Section 3.2.4 for parameters and variables used for duty mode control.

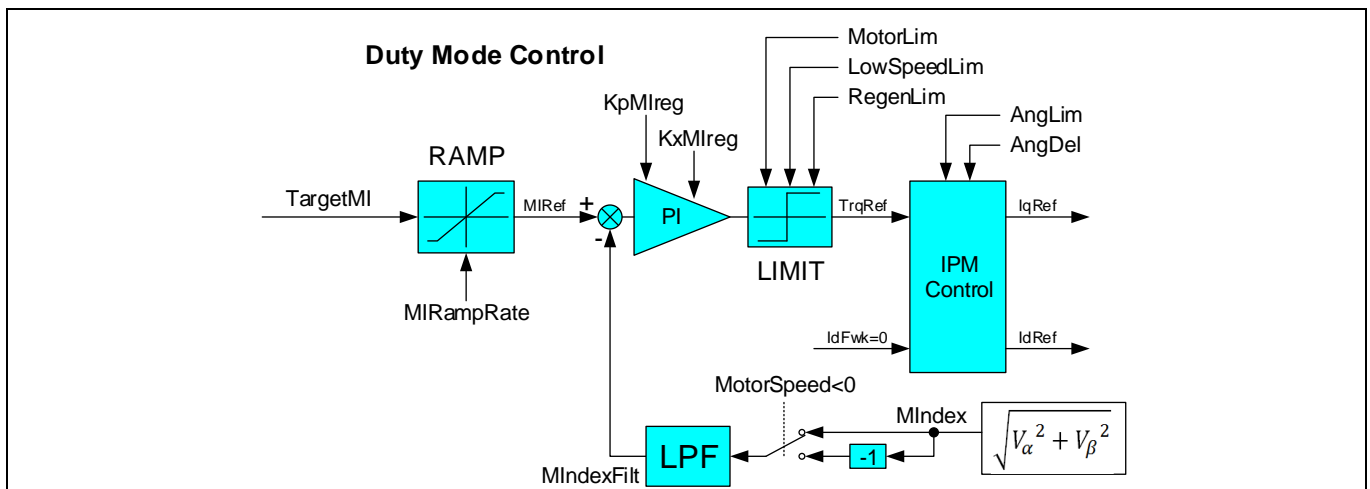


Figure 25 Top-level Diagram of Duty Mode Control Loop

2.1.10 Hall Sensor Interface

The MCE provides a Hall sensor interface that supports the following Hall sensor configurations: 2 analog Hall sensors that are 120° displaced electrically; 2 digital Hall sensors that are 120° displaced electrically; 3 digital Hall sensors that are 120° displaced electrically.

2.1.10.1 Interface Structure

As shown in the following Figure 26, the analog Hall sensor positive and negative outputs are connected to non-inverting and inverting inputs of the internal comparators respectively. The hysteresis of the internal comparators is configured to 20 mV. During every zero-crossing between AHALL+ and AHALL-, the relevant comparator output toggles accordingly. The internal comparator outputs are connected via multiplexer to the Hall sample logic peripheral. The digital Hall sensor outputs are directly connected via multiplexer to the Hall sample logic peripheral.

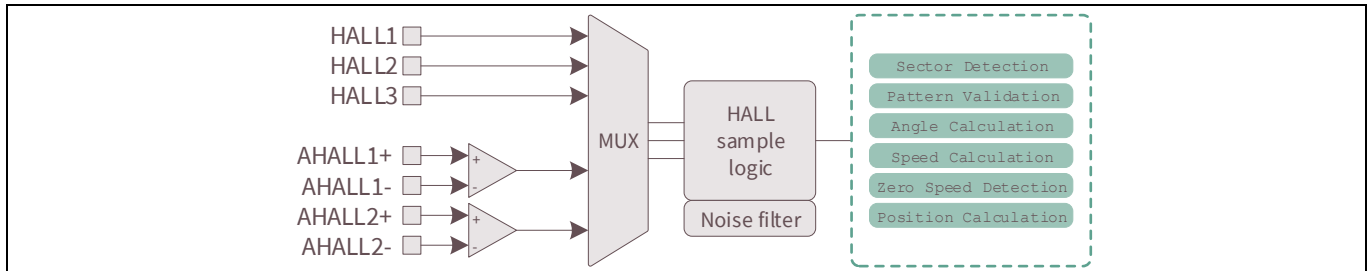


Figure 26 Hall Sensor Interface High-Level Structure Overview

2.1.10.2 Noise Filter

As shown in the following Figure 27, a hardware noise filter is included to provide de-bounce check mechanism before actual Hall input sampling occurs. Whenever there comes a transition detected from digital Hall sensor outputs or from internal comparator outputs that provide interface to analog Hall sensors, an internal timer is started and counting. Hall inputs are sampled only when the internal timer counts up to a threshold configured by the parameter ‘HallSampleFilter’. If there comes another transition due to noise or a real Hall input transition during the time when the internal timer is counting up, then the timer is reset and the counting starts over.

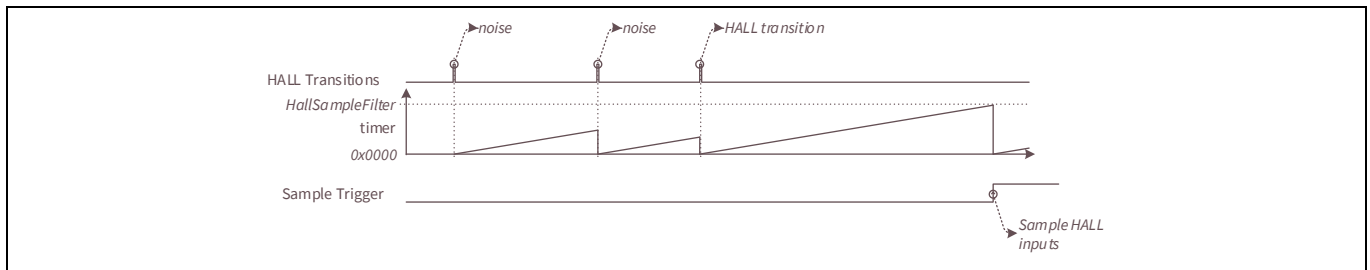


Figure 27 Hall Sensor Noise Filter Mechanism

2.1.10.3 Hall Input Signal Processing

Hall input signal processing is handled during each motor PWM cycle and is asynchronous to the Hall input sampling logic.

During each Hall input signal processing routine, if there comes a Hall input transition corresponding to a zero-crossing event from Hall inputs, then it is first validated against a pre-loaded sequence based on rotating direction. If the newly sampled Hall inputs are invalid ([111] or [000], only applicable to 3 digital Hall configuration), then it is considered as invalid pattern fault. If 2 consecutive invalid pattern faults are detected, then ‘Hall Invalid’ fault is confirmed and the 15th bit of variable ‘FaultFlags’ is set. If the newly sampled Hall inputs are valid but don’t match either forwarding sequence or reverse sequence, then it is considered as unexpected pattern fault. If 3 consecutive unexpected pattern faults are detected, then ‘Hall Invalid’ fault is confirmed and the 15th bit of variable ‘FaultFlags’ is set. If the newly sampled Hall inputs are validated successfully, then the sector information is extracted based on the pattern. The rotor angle and frequency are updated accordingly. The 32 bit position counter (parameter ‘PositionCounter’ and ‘PositionCounter_H’) is incremented with clockwise (CW) rotating direction or decremented with counter-clockwise (CCW) rotating direction. The increment or decrement step is 1 count for normal sector (60° displacement) or 2 counts for wide sector (120° displacement).

Software Description

During each Hall input signal processing routine, if there is no Hall input transition when it is between the 2 zero-crossing events, the rotor angle is incremented with CW rotating direction or decremented with CCW rotating direction using linear interpolation over the time between 2 Hall input transition events, and the rotor frequency stays constant. When the rotor angle is incremented or decremented by up to 60° for a normal sector or by up to 120° for a wide sector since last Hall input transition, no more increment or decrement is applied to the rotor angle, and the rotor angle stays flat until the next Hall input transition occurs. The rotor frequency is low-pass filtered to generate rotor speed represented by the parameter 'HallMotorSpeed'. The parameter 'HallSpdFiltBW' can be used to adjust the time constant of this low-pass filter for rotor speed.

When the motor control state machine is in 'MOTORRUN' state, if the time interval between 2 Hall input transition instances is longer than the period configured by the parameter 'HallTimeoutPeriod', 'Hall Timeout' fault would be triggered. This fault is to detect rotor lock condition when Hall sensors are being used.

2.1.10.4 Hall Initial Position Estimation

At the start-up, the initial rotor position estimation is based on the initial Hall inputs and assumes starting from the middle of the angle range between the 2 adjacent zero-crossing events. The following Table 7 and Table 8 show the initial angle estimation details for 3 Hall and 2 Hall scenarios.

Table 7 Hall Initial Position Estimation (3 Hall, HallAngleOffset = 0)

Hall pattern [H3, H2, H1]	1 (001 _b)	3 (011 _b)	2(010 _b)	6(110 _b)	4(100 _b)	5(101 _b)
Angle range	-60° to 0°	0° to 60°	60° to 120°	120° to 180°	180° to 240°	240° to 300°
Initial angle	-30°	30°	90°	150°	210°	270°

Table 8 Hall Initial Position Estimation (2 Hall, HallAngleOffset = 0)

Hall pattern [H2, H1]	1 (01 _b)	3 (11 _b)	2 (10 _b)	0 (00 _b)
Angle range	-120° to 0°	0° to 60°	60° to 180°	180° to 240°
Initial angle	-60°	30°	120°	210°

2.1.10.5 Hall Sensor / Sensor-less Hybrid Operation

The MCE supports a hybrid operation mode where both the Hall sensor interface and the flux estimator are active, allowing users to choose Hall sensor mode or sensor-less mode based on different speed conditions. In hybrid mode, Hall angle is being used at lower motor speed. It switches over to sensor-less mode and uses Flux angle at a speed configured by the parameter 'Hall2FlxThr'. When it is in sensor-less mode, it switches over back to Hall sensor mode and uses Hall angle at a speed configured by the parameter 'Flx2HallThr'.

2.2 Power Factor Correction

Power Factor Correction (PFC) is a technique used to match the input current waveform to the input voltage, as required by government regulation in certain situations. The power factor, which varies from 0 to 1, is the ratio between the real power and apparent power in a load. A high power factor can reduce transmission losses and improve voltage regulation. Regulations will specify the condition at which to demonstrate the efficiency of the PFC.

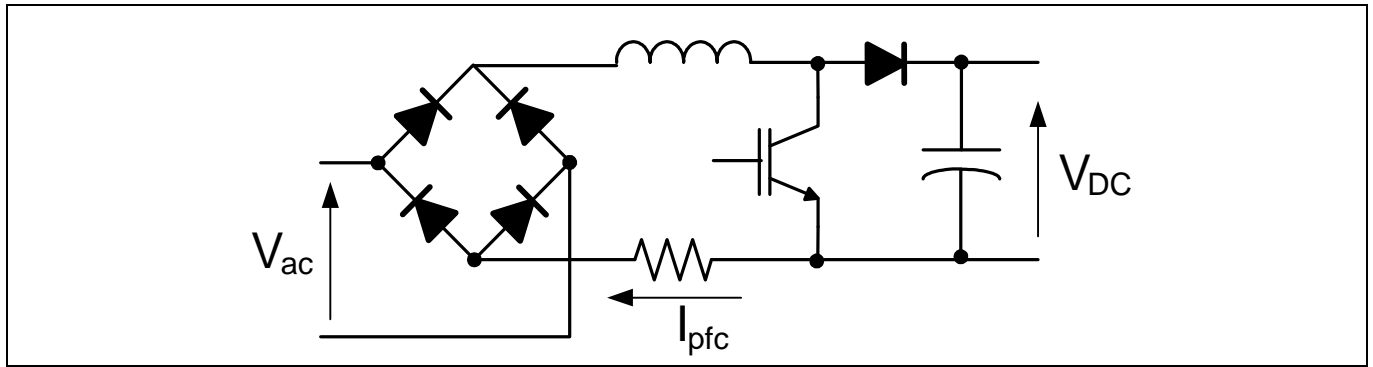


Figure 28 Basic Boost PFC Circuit

Above figure shows the simplified circuit of the boost PFC topology.

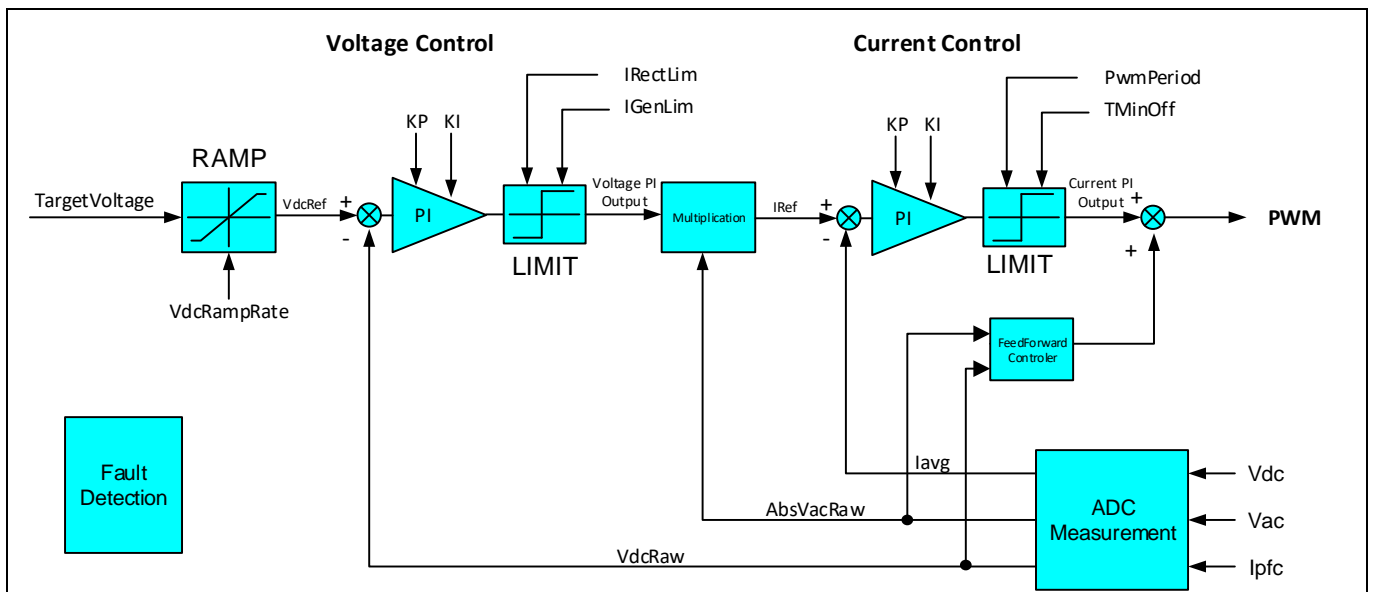


Figure 29 Top Level Diagram of Power Factor Correction

MCE PFC is multiplier based control, which means there are two control loops in PFC, an inner current loop and an outer voltage loop, along with a feedforward component. The output of the voltage controller is multiplied by the rectified AC voltage to produce a current reference. The output of the current controller is added to the feedforward output to generate the modulation command. This PFC control scheme requires sensing of the inductor current, AC line voltage and DC bus voltage.

MCE supports two types of PFC topologies.

1. Boost Mode PFC
2. Totem-Pole PFC

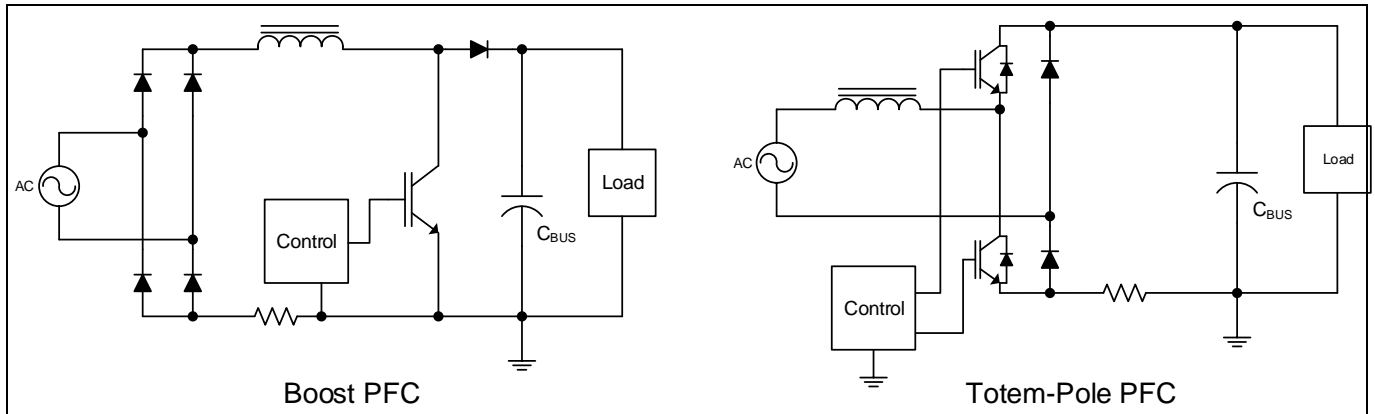


Figure 30 PFC topologies

Boost PFC is most common PFC topology because it's easy to control. Boost topology is not very efficient due to high losses on bridge diodes. There are some bridgeless designs which are targeting to reduce the bridge diode losses, but most of the bridgeless PFC solutions suffer from EMI issue which makes it impossible to be used in appliance application such as inverter air-conditioner. Totem pole PFC is a type of bridgeless PFC but it doesn't have EMI issue. With development of fast IGBT and commercial availability of high bandgap switches such as SiC and GaN, totem pole PFC attracts more attention as a candidate to replace traditional boost PFC.

It is challenging to design a totem pole PFC control circuit without using expensive sensors for AC voltage and inductor current sensing. The nature of totem pole PFC topology decides it needs more complicated control circuit compare to boost PFC. The main target of MCE totem-pole design is to minimize complexity regarding hardware of control circuit. It uses differential sensing for AC voltage and uses single shunt resistor on DC link for inductor current sensing. There is no additional hardware to detect AC voltage polarity. Digital control also makes it possible to re-construct the inductor current information from single shunt on DC link.

2.2.1 State Handling

Motion Control Engine (MCE) includes a built-in state machine which takes care of all state-handling for starting, stopping and performing start-up. A state machine function is executed every 1ms. Totally there are 5 states. Current state of sequencer is stored in “PFC_SequencerState” variable.

Table 9 State Description and Transition

State No	Sequence State	State Functionality	Transition Event	Next Sequence State
0	IDLE	After the controller power up, control enters into this state. If there is no valid parameter block, control stay in this state.	Parameters are loaded successfully.	STOP
1	STOP	Wait for start command. Current and voltage measurement for protection	Current Amplifier offset calculation is not done.	OFFSETCAL
			Start Command.	RUN
2	OFFSETCAL	Offset calculation for PFC current sensing input. This state takes 256 PWM cycles.	Current offset calculation completed.	STOP
4	RUN	Normal PFC run mode	Stop Command	STOP
5	FAULT	If any fault detected, PFC will be stopped (if it was previously running) and enter FAULT state from any other state.	Fault clear command by writing 1 to “PFC_FaultClear” variable	STOP

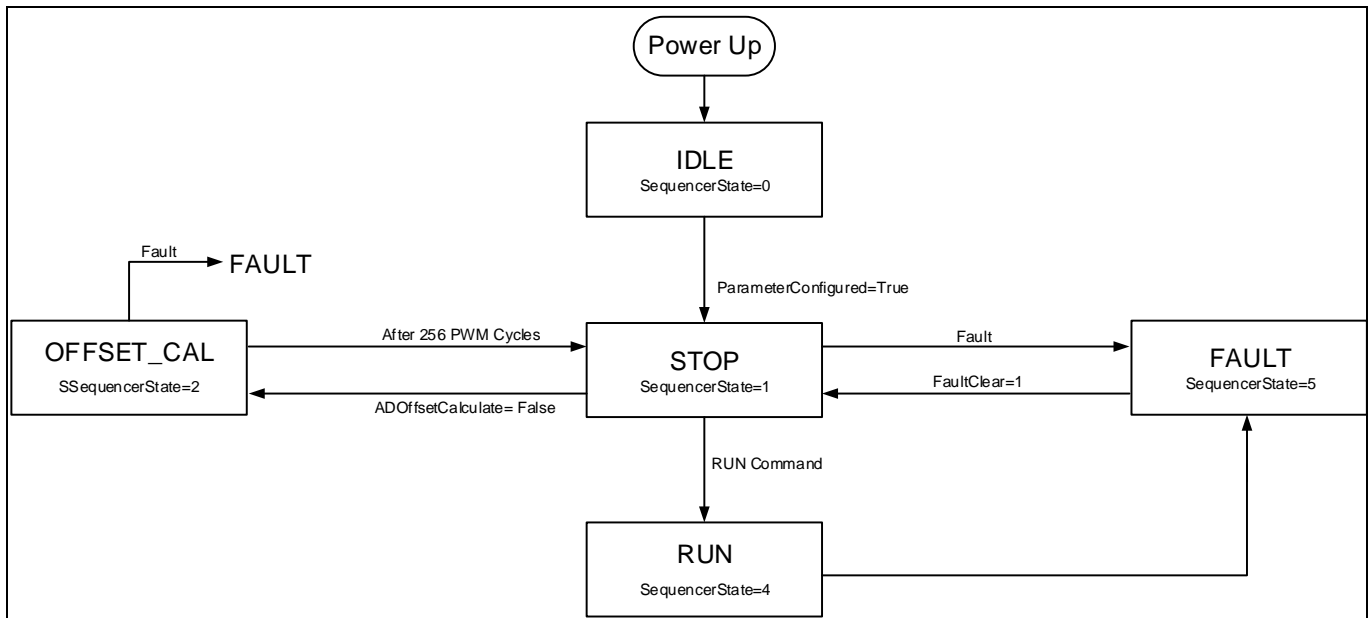


Figure 31 State handling flow chart

2.2.2 Protection

2.2.2.1 Over Current Protection

MCE provides an over-current protection function by comparing the PFC inductor current against a pre-configured level and disables the PWM output when the inductor current exceeds the tripping level

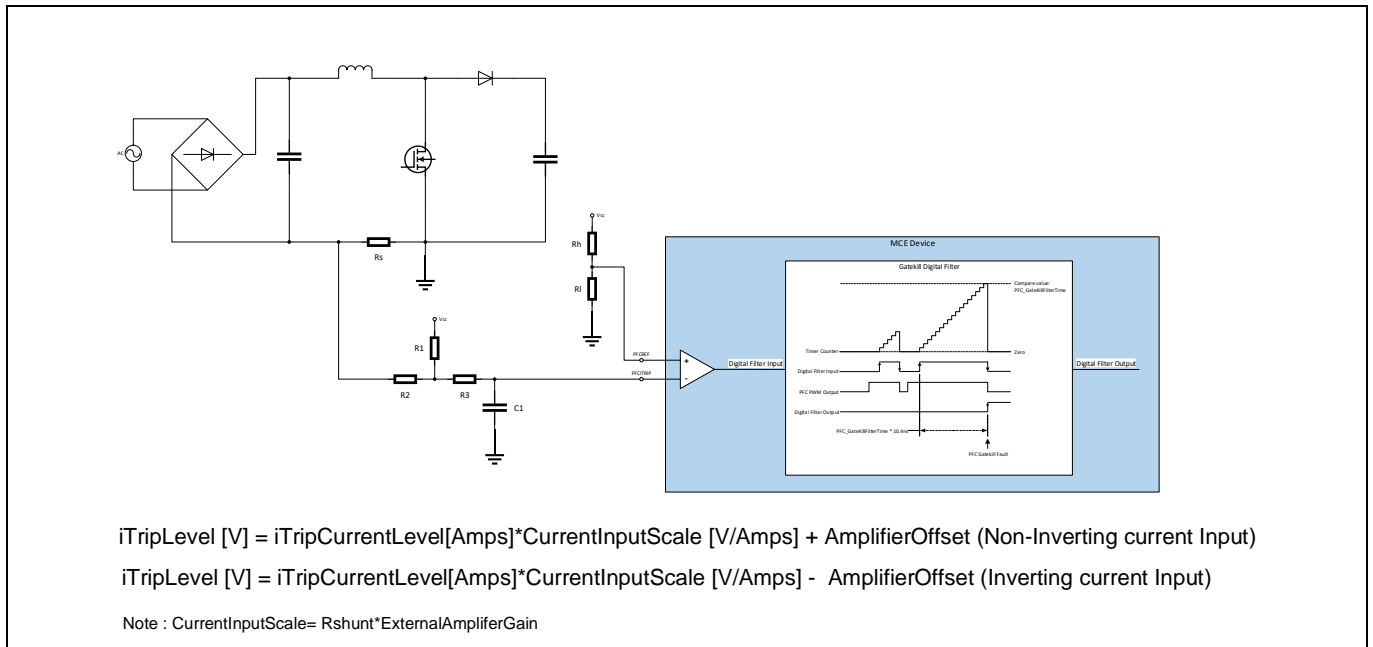


Figure 32 PFC Gatekill setup

As shown in the Figure 32, the over-current tripping mechanism makes use of an internal comparator. The tripping level can be programmed externally using a voltage divider driven by a reference voltage whose output is connected to PFCREF pin.

An internal configurable digital filter is available to avoid any high frequency noise. The customer can configure the gatekill response behavior by adjusting the value of PFC_GateKillTime parameter. The input signal needs to remain stable for the specified gatekill time period to trigger the over-current fault. This fault cannot be disabled.

The filter timer is configured to be level triggered by the internal comparator output. If the fault occurs, the timer starts counting. If the comparator output voltage level changes down to logic zero, then the timer gets reset. If the over-current condition is persistent until the timer counts to PFC_GateKillTime, then the PWM outputs go into the programmed passive levels.

This fault can be cleared by writing 1 to PFC_FaultClear PFC variable while the over-current condition is no longer present. If the fault clear operation is successful, then the PFC state machine will shift to STOP state.

PFC_GateKillTime is a type of static PFC parameter that specifies the gatekill response time for over-current fault detection. The valid range of its value is from 0 to 960 in clock cycles. The value of 1 corresponds to $1/96MHz = 10.4167ns$. The default value is 48, which is $0.5\mu s$.

2.2.2.2 DC Over/Under Voltage Protection

Under voltage is set when the DC Bus voltage is below a threshold and over voltage is set when the DC Bus voltage is above a threshold.

DC bus voltage is being sampled every PFC switching cycle. The sampled DC bus voltage, which can be read from PFC_VdcRaw PFC variable, goes through a Low-Pass Filter to attenuate high-frequency noise. The filtered DC bus voltage can be read from PFC_VdcFilt PFC variable. The time constant of the LPF depends on the PFC PWM frequency.

If the PFC_VdcFilt value is lower than PFC_VdcLvLevel, then bit 1 in PFC_FaultFlags PFC variable is set. If the bit 1 in PFC_FaultEnable PFC dynamic parameter is set, then this fault will be reflected in PFC_SwFaults PFC variable, and the PFC state machine will shift to FAULT state causing the PFC to stop running. If this bit is not set, then the corresponding bit in PFC_SwFaults variable will be masked by PFC_FaultEnable parameter, so that this fault will not be reflected in PFC_SwFaults variable, and the PFC state machine will not shift to FAULT state and the PFC will keep running.

If the PFC_VdcFilt value is higher than PFC_VdcOvLevel, then bit 2 in PFC_FaultFlags PFC variable is set. If the bit 2 in PFC_FaultEnable PFC dynamic parameter is set, then this fault will be reflected in PFC_SwFaults PFC variable, and the PFC state machine will shift to FAULT state causing the PFC to stop running. If this bit is not set, then the corresponding bit in PFC_SwFaults variable will be masked by PFC_FaultEnable parameter, so that this fault will not be reflected in PFC_SwFaults variable, and the PFC state machine will not shift to FAULT state and the PFC will keep running.

These fault can be cleared by writing 1 to PFC_FaultClear PFC variable while the DC bus over voltage or under voltage condition is no longer present. If the fault clear operation is successful, then the PFC state machine will shift to STOP state.

2.2.2.3 AC Over/Under Voltage Protection

AC over voltage fault is set when the AC input voltage to PFC is above a threshold and AC under voltage fault is set when the AC input voltage to PFC is below a threshold

AC input voltage is being sampled during every PFC switching cycle. The RMS value of the AC input voltage is calculated every PFC state machine update (Default value is 1ms).

The AC over-voltage fault is checked by comparing the calculated VAC RMS value against PFC_VacOvLevel value. If the VAC RMS value is higher than PFC_VacOvLevel, then bit 5 in PFC_FaultFlags PFC variable is set. If the bit 5 in PFC_FaultEnable PFC dynamic parameter is set, then this fault will be reflected in PFC_SwFaults PFC variable, and the PFC state machine will shift to FAULT state causing the PFC to stop running. If this bit is not set, then the corresponding bit in PFC_SwFaults variable will be masked by PFC_FaultEnable parameter, so that this fault will not be reflected in PFC_SwFaults variable, and the PFC state machine will not shift to FAULT state and the PFC will keep running.

The AC under-voltage fault is checked by comparing the calculated VAC RMS value against PFC_VacLvLevel value. If the VAC RMS value is less than PFC_VacLvLevel, then bit 4 in PFC_FaultFlags PFC variable is set. If the bit 4 in PFC_FaultEnable PFC dynamic parameter is set, then this fault will be reflected in PFC_SwFaults PFC variable, and the PFC state machine will shift to FAULT state causing the PFC to stop running. If this bit is not set, then the corresponding bit in PFC_SwFaults variable will be masked by PFC_FaultEnable parameter, so that this fault will not be reflected in PFC_SwFaults variable, and the PFC state machine will not shift to FAULT state and the PFC will keep running.

This fault can be cleared by writing 1 to PFC_FaultClear PFC variable while the AC input over voltage condition or under voltage condition is no longer present. If the fault clear operation is successful, then the PFC state machine will shift to STOP state.

2.2.2.4 Input Frequency Protection

This fault is set when AC input frequency value to PFC is different from set value.

The AC input frequency max and min limits are configured by MCEWizard automatically based on the selected nominal AC input frequency. If the AC input frequency nominal value is selected as 50Hz, then the valid range of actual AC input frequency is from 45 to 55Hz. If the AC input frequency nominal value is selected as 60Hz, then the valid range of actual AC input frequency is from 55 to 65Hz.

AC input frequency min limit is checked every time the PFC state machine updated (Default value is 1ms). If the measured positive or negative half line cycle is lower than the min limit, then bit 3 in PFC_FaultFlags PFC variable is set. This fault cannot be masked, so that it will be reflected in PFC_SwFaults PFC variable and the PFC state machine will shift to FAULT state causing the PFC to stop running.

AC input frequency max limit is checked in the process of finding zero crossing executed every PFC PWM cycle. During Each PFC PWM cycle, a counter is incremented and compared against the max limit. If the counter value is higher than the max limit, it indicates that zero crossing is not found within the max amount of valid half cycle time. If it is set, then bit 3 in PFC_FaultFlags PFC variable is set. This fault will be reflected in PFC_SwFaults PFC variable, and the PFC state machine will shift to FAULT state causing the PFC to stop running.

This fault can be cleared by writing 1 to PFC_FaultClear PFC variable while the AC input frequency fault is no longer present. If the fault clear operation is successful, then the PFC state machine will shift to STOP state.

Note: PFC will be stopped during any fault in the motor control.

2.3 User Mode UART

The user mode UART communication is designed to provide a simple, reliable and scalable communication protocol for motor control application. The protocol is simple so that it can be easily implemented even in low-end microcontrollers which work as master to control the motor. It supports networking (up to 15 nodes on same network) which is required in some industrial fan/pump applications. Each UART commands are processed every 1ms.

2.3.1 Data Frame

The format of the data frame is shown in Figure 33.

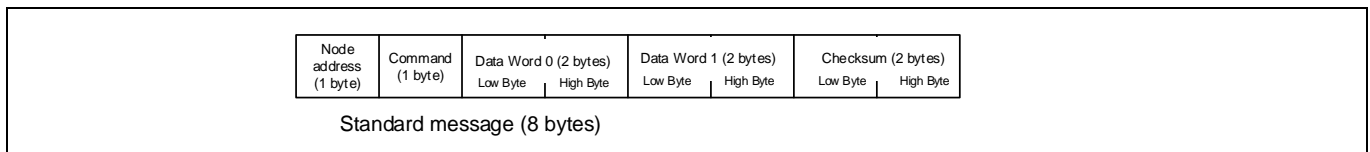


Figure 33 UART Data Frame

2.3.2 Node Address

Node address is the first byte in a data frame. It is designed to allow one master controlling multiple slaves in the same network. Each slave node has its unique node ID. The slave only acknowledges and responds to the message with same ID. There are two broadcast addresses (0x00 and 0xFF) defined for different usage. If a message is received with address=0x00, all the slaves execute the command but will not send a reply to the master. This is useful in a multiple slave network and the master needs to control all the slaves at the same time, for example, turn on all the motor by sending only one message. If received a frame with address=0xFF, the slave will execute the command and also send a reply to the master. This is useful in 1-to-1 configuration when the master doesn't know or doesn't need to know the slave node address.

Table 10 Node Address Definition

Node Address	Command
0x00	All nodes receive and execute command, no response.
0x01 to 0x0F	Only the node that has same address executes the command and replies the master.
0x10 to 0xFE	Reserved
0xFF	All nodes receive and execute the command and reply the master. Only used in 1-to-1 configuration. It will cause conflict if multiple nodes connected to the same network

2.3.3 Link Break Protection

Link break protection is to stop the motor if there is no UART communication for certain period of time. In some application, the main controller maintains communication with the motor controller. In case of a loss of communication or line break, it is desired to stop the motor for protection. This protection feature is enabled or disable and Link break timeout is configured in MCEWizard.

2.3.4 Command

UART command is the second byte in a data frame. Bit [6:0] specifies the command code. Bit [7] is the indication bit indicates the direction of the data frame. All data frames sent by master must have bit 7 cleared (=0), all reply data frames sent by slave must have bit 7 set (=1).

Table 11 UART Command Definition

Command (Bit[6:0])	Description
0	Read Status
1	Request to clear fault flag
2	Select Control input mode
3	Set motor control target speed
4	Not used, slave will not reply to master
5	Read Register
6	Write Register
7 - 31	Not used, slave will not reply to master
32	Load or save parameter set
33-127	Not used, slave will not reply to master

2.3.5 Checksum

Checksum is 16-bits and calculated as mentioned below:

$$[\text{Command: Node address}] + \text{Data Word 0} + \text{Data Word 1} + \text{Checksum} = 0x0000$$

Example Checksum calculation:

Input: Node address =1, command =2, Data Word 0 = 0x1122 and Data Word 1 = 0x3344

$$\text{Checksum} = -1 * (0x0201 + 0x1122 + 0x3344) = 0xB999$$

2.3.6 UART message

2.3.6.1 Read Status: Command = 0x00

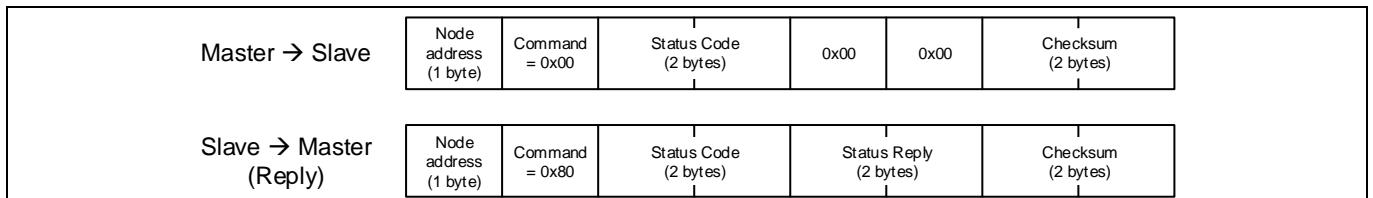


Figure 34 Read Status command

Table 12 Status code and status reply

Status code	status reply
0x0000	Fault Flags
0x0001	Motor Speed
0x0002	Motor State
0x0003	Node ID
0x0004 – 0xFFFF	0x0000

2.3.6.2 Clear Fault: Command =0x01



Figure 35 Clear fault command

2.3.6.3 Change Control Input Mode: Command =0x02

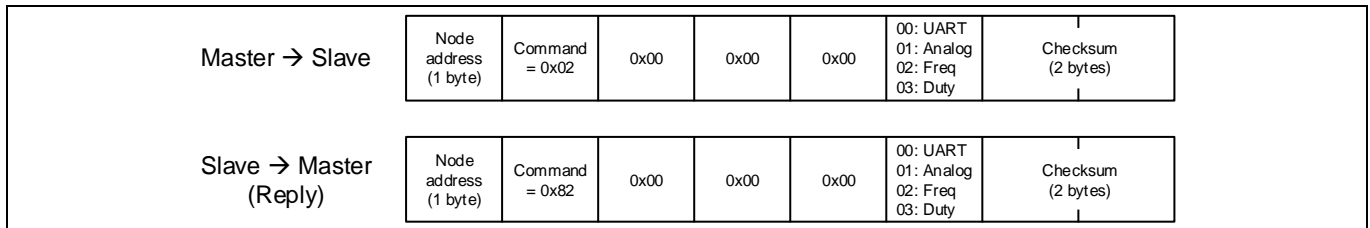


Figure 36 Control input mode command

2.3.6.4 Motor Control: Command =0x03

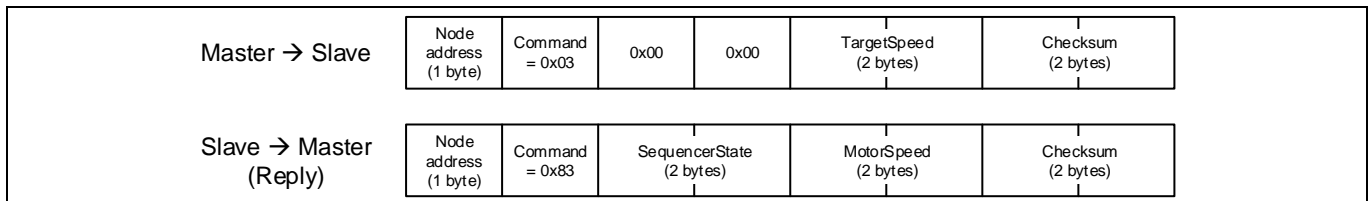


Figure 37 Motor control Command

Note: Target Speed=0: motor stop, TargetSpeed≠0: motor start

2.3.6.5 Register Read: Command = 0x05

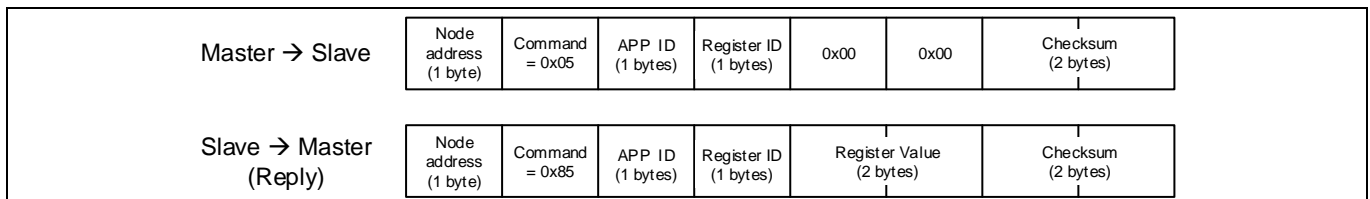


Figure 38 Register Read Command

2.3.6.6 Register Write: Command = 0x06

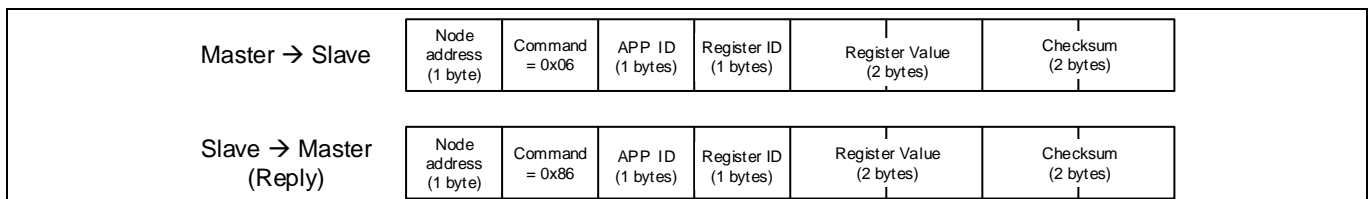


Figure 39 Register Write Command

2.3.6.7 Load and Save Parameter: Command = 0x20

Load parameter command loads all parameters of one page into the dedicated RAM locations.



Figure 40 Load parameter Command

Save parameter command saves all parameters into one flash page.



Figure 41 Save Parameter Command

2.3.7 Connecting multiple nodes to same network

It is possible to connect multiple MCE to same UART network, see Figure 42 detail.

For the TXD pin of each MCE node, it needs to connect a Schottky diode before connect to the same wire, and on the master controller side, a 4.7kOhm pull up resistor is required.

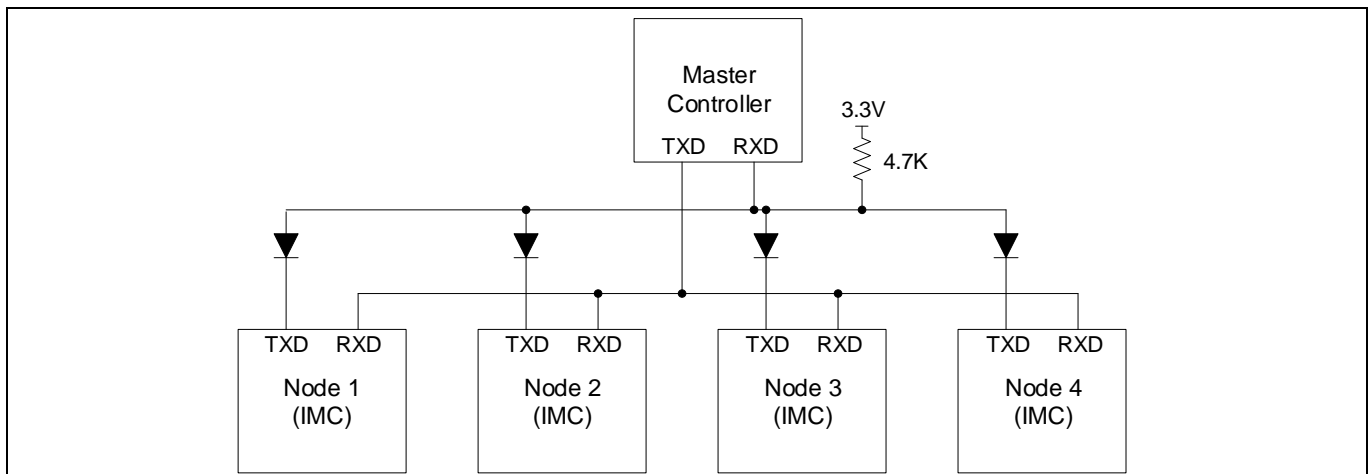


Figure 42 UART network connection

2.3.8 UART Transmission Delay

A configurable delay (bit [15:8] of parameter ‘InterfaceConf0’) can be inserted between the reception of a message from the host and the transmission of a response message.

2.4 JCOM Inter-Chip Communication

The JCOM interface is designed to provide point-to-point bi-directional communication for dual-core products between the motor control core running the MCE (named T core hereafter) and the integrated MCU (named A core hereafter). JCOM interface utilizes an internal serial port. JCOM protocol assumes one master and one slave during communication.

2.4.1 Operation Mode

JCOM interface supports asynchronous mode between the master and the slave.

2.4.1.1 Asynchronous Mode

In asynchronous mode, the A core (MCU) serves as the master, while the T core (MCE based motor control) serves as the slave. All communication activities are initiated by the master.

From the slave side, JCOM interface driver is interrupt driven to ensure that the response from T core is handled with minimum delay. As soon as enough data is accumulated in the reception FIFO, the JCOM interrupt handler is triggered where the received frame is parsed to extract the message payload. Based on the Message Object (MO) number, relevant action is executed per the Command and Response Protocol. Then, the response frame is constructed and sent to the transmission FIFO.

2.4.2 Baud Rate

The Baud rate of JCOM interface can be configured at the start-up or during run-time. The valid range is from 6.1 Kbps to 6 Mbps. The default Baud rate is 1 Mbps.

If the T core JCOM interface experiences some frame error up to 3 times due to mismatch of Baud rate configuration between the A core and the T core, then the Baud rate of JCOM interface of the T core would be reset to the default value (1 Mbps) automatically.

2.4.3 Message Frame Structure

Each JCOM message frame consists of the following fields assuming transmission sequence is from left to right. The following Figure 43 shows the details of the JCOM message frame structure.

Flag	Seq	Res	Message				CRC	Flag
			MO	Data[0]	Data[1]	Data[2]		
1 byte (0x7E)	2 bit	2 bit	4 bit	4 bytes			1 byte	1 byte (0x7E)

Figure 43 JCOM Message Frame Structure

Flag: Indication of the start and end of a frame.

Software Description

Seq: This sequence number is used to detect a wrong sequence fault. During normal operation, Seq number is incremented per frame and checked at the receiver side. If the Seq number doesn't match, then the entire frame is ignored and no response is sent.

Res: Reserved for future use.

MO: This Message Object number defines how the data is interpreted.

Data[x]: These data fields contain the payload of the message.

CRC: The CRC byte is calculated over the message fields including the MO number. If CRC check fails, then the entire frame is ignored and no response is sent.

2.4.4 Command and Response Protocol

The command and response protocol is used when JCOM interface works in asynchronous mode. The message contains a Message Object number and 4 data bytes. Under the 'direction' column found in the following Message Structure figures, 'DS' refers to communication from master (A core) to slave (T core), and 'US' refers to communication from slave (T core) to master (A core). If a command frame sent from the master is successfully received by the slave and passes CRC check, then a corresponding response frame would be sent from the slave. If the command frame sent from the master is out of synchronization due to Seq number mismatch, or fails the CRC check, then the entire command frame is ignored by the slave with no response. Some time-out recovery mechanism is recommended from the master side to deal with those faults. The following Table 13 summarizes the functions corresponding to different MO numbers.

Table 13 Message Object Function Table

Message Object	Functions
0	State machine inquiry; Execution time and CPU load inquiry.
1	System configuration protection; Reset T core; Access static parameter; Set boot mode; Set JCOM Baud rate.
6	Get parameter.
7	Set parameter.
Others	Reserved for future use.

2.4.4.1 Message Object: 0

The following Figure 44 shows the details of the message structure with MO set to 0. With MO = 0, data[0] contains a status byte that represents the type of objects whose status is requested.

Direction	Data[0]	Data[1]	Data[2]	Data[3]	Comments
-----------	---------	---------	---------	---------	----------

Software Description

						Status = 0: returns the state number of the SM0 (motor) and SM1 (PFC) state machines. Status = 1: returns execution time for system task and CPU_Load.
DS	Status	x	x	x		
US	SM0 state	SM1 state	0xFF	0xFF		Status = 0
US	exe_sys		cpu_load			Status = 1

Figure 44 Message Structure (MO = 0)

2.4.4.1.1 State Machine Inquiry

If the status byte = 0 in the command frame, then the relevant state numbers of the motor and PFC state machines are requested by the master. The response frame is supposed to contain the state number ('SequencerState') of the motor state machine in data[0] and the state number ('PFC_SequencerState') of the PFC state machine in data[1].

2.4.4.1.2 Execution Time and CPU Load Inquiry

If the status byte = 1 in the command frame, then the execution time for the system task scheduled in systick ISR (typically every 1 ms) and the CPU load are requested. The response frame is supposed to contain the execution time word (1 count = 0.33 μs) for the system task in data[0] (lower 8 bit of execution time word) and data[1] (higher 8 bit of execution time word), as well as the CPU_Load word (1 count = 0.1%) in data[2] (lower 8 bit of CPU_Load word) and data[3] (higher 8 bit of CPU_Load word).

2.4.4.2 Message Object: 1

The following Figure 45 shows the details of the message structure with MO set to 1. With MO = 1, the command frame contains a Command word in data[0] and data[1] and a Value word when applicable in data[2] and data[3]. The response frame is supposed to contain the same Command word in data[0] and data[1] and the same Value word in data[2] and data[3] to acknowledge successful reception.

Direction	Data[0]	Data[1]	Data[2]	Data[3]	Comments
	Command		Value		
System Configuration					
DS	0x0000		p		Configuration protection: p = 0: protected 0 < p < 3: unprotected for the next p commands
DS	0x0001		0		Reset (immediately)
DS	0x0002		a		Static parameter access: a = 0: disable a = 1: enable
DS	0x00BD		(~bmd<<8)+bmd		Set boot mode
JCOM Configuration					
DS	0x0100		Baud rate		Set JCOM Baud rate
Parameter Handler Commands					
DS	0x0200		x		Enable coherent parameter handling

Software Description

	DS	0x0201	x	Disable coherent parameter handling
	DS	0x0202	x	Set parameter coherently
Response				
	US	Command	Value	Acknowledge from slave

Figure 45 Message Structure (MO = 1)

2.4.4.2.1 System Configuration Protection

Changing system configuration requires going through a 2-step unlock process for safety concerns. Those operations include resetting T core, accessing static parameters, as well as setting boot mode.

The 1st step is to have the master send a command frame (MO = 1) with Command = 0x0000 and Value = p to unprotect the next p commands. p can be set to 1 or 2.

The 2nd step is to have the master send a command frame (MO = 1) with one of those system configuration related commands to change system configuration.

2.4.4.2.2 Reset T Core

A core can perform a reset request for T core by the following steps.

The 1st step is to have the master send a command frame (MO = 1) with Command = 0x0000 and Value = 1 to unprotect the next 1 command.

The 2nd step is to have the master send a command frame (MO = 1) with Command = 0x0001 and Value = 0. Upon receiving this frame, the T core will immediately reset itself with no response US frame.

2.4.4.2.3 Access Static Parameter

Writing to those static type of parameters is not allowed by default. A 2-step unlock process is needed to obtain write access to the static type of parameters. Without going through this process, attempting to write to those static type of parameters would have no effect.

The 1st step is to have the master send a command frame (MO = 1) with Command = 0x0000 and Value = 1 to unprotect the next 1 command.

The 2nd step is to have the master send a command frame (MO = 1) with Command = 0x0002 and Value = 1 to grant write access to those static type of parameters.

Then the master has the right to write to those static type of parameters using a command frame with MO = 7. After the write operation is completed, it is recommended to disable the write access to those static type of parameters by the same 2-step lock process.

The 1st step is to have the master send a command frame (MO = 1) with Command = 0x0000 and Value = 1 to unprotect the next 1 command.

The 2nd step is to have the master send a command frame (MO = 1) with Command = 0x0002 and Value = 0 to disable write access to those static type of parameters.

2.4.4.2.4 Set Boot Mode

By default T core (MCE) operates in Application Mode. A core can request changing the MCE to Configuration Mode (BMD = 0xCD) or Boot-Loader Mode (BMD = 0x5D) by the following steps.

Software Description

The 1st step is to have the master send a command frame (MO = 1) with Command = 0x0000 and Value = 1 to unprotect the next 1 command.

The 2nd step is to have the master send a command frame (MO = 1) with Command = 0x00BD and Value = 0x32CD to set the boot mode to Configuration Mode, or Value = 0xA25D to set the boot mode to Boot-Loader Mode.

2.4.4.2.5 Set JCOM Baud Rate

The master can request changing the Baud rate of the JCOM interface of the slave by sending a command frame (MO = 1) with Command = 0x0100 and Value = desired Baud rate (bps) / 100.

2.4.4.3 Message Object: 6

2.4.4.3.1 Get Parameter

The following Figure 46 shows the details of the message structure with MO set to 6. With MO = 6, the command frame contains the App ID byte in data[0] and the Index byte in data[1] of the specified parameter or variable. The response frame is supposed to contain the same App ID byte in data[0], the same Index byte in data[1], and the Value word of the requested parameter or variable in data[2] and data[3].

Direction	Data[0]	Data[1]	Data[2]	Data[3]	Comments
DS	App ID	Index	0x0000		Get parameter
Response					
US	App ID	Index	Value		Send requested parameter

Figure 46 Message Structure (MO = 6)

2.4.4.4 Message Object: 7

2.4.4.4.1 Set Parameter

The following Figure 47 shows the details of the message structure with MO set to 7. With MO = 7, the command frame contains the App ID byte in data[0], the Index byte in data[1], and the Value word in data[2] and data[3] of the specified parameter or variable. The response frame is supposed to contain the same App ID byte in data[0], the same Index byte in data[1], and the same Value word of the requested parameter or variable in data[2] and data[3] to confirm a successful operation.

Direction	Data[0]	Data[1]	Data[2]	Data[3]	Comments
DS	App ID	Index	Value		Set parameter
response					
US	App ID	Index	Value		Send back parameter for confirmation

Figure 47 Message Structure (MO = 7)

2.5 Multiple Parameter Programming

2.5.1 Parameter Page Layout

In iMOTION™ product, 4k bytes of flash memory are used to store control parameter data. There are totally 16 parameter blocks, each parameter block is 256 bytes in size. Multiple parameter blocks maximum of 15 can be programmed in order to support different motor types or hardware and one block is reserved to store system parameter.

Parameter block (Parameter set) can be selected in MCEWizard. MCEWizard output (*.txt) that contains the parameter values, can be programmed into the parameter block using MCEDesigner. MCEWizard output file contains the parameter set number, MCEDesigner loads the parameter values into appropriate parameter block. Each parameter block can be updated multiple times. During development, Initial parameter set can be generated from MCEWizard based on configuration. Tune the motor that value will be stored in RAM and when motor tuning is done export the tuned parameter using MCEDesigner or program the parameter block.

In case of Motor and PFC application, motor control parameter will be stored into selected parameter block and PFC parameter will be saved into immediate next parameter block.

2.5.2 Parameter Block Selection

MCE supports to select the parameter block in 4 different methods.

- Direct Select : : ParPageConf[3:0] =0
- UART Control : ParPageConf[3:0] =1
- Analog Input: ParPageConf[3:0] =2
- GPIO Pins : : ParPageConf[3:4] =3

Parameter block selection input configuration is available in MCEWizard and MCEWizard updated “ParPageConf” parameter.

Note: All the 4 methods to select parameter block may not be available in all iMOTION™ devices, due to pin availability. Refer specific device datasheet for available methods to select parameter block.

2.5.2.1 Direct Select

Parameters block selection is based on “ParPageConf [7:4]” parameter bit field value. “ParPageConf [7:4]” parameter bit field value can be updated from MCEWizard.

2.5.2.2 UART Control

Specific UART messages are defined to load the parameter block from flash to RAM and save the parameter set from RAM to flash. Refer section 2.3.6.7 for message format.

2.5.2.3 Analog Input

Parameter block is selected based on the analog input value. MCE uses “PARAM” pin as the Analog input for parameter set selection. Mapping between parameter page selections based on Analog input mentioned below

$$ParameterBlock = Integer \left\{ \left(\frac{AnalogInput}{V_{adcref}} * 15 \right) \right\}$$

Example if AnalogInput = 1.2V and V_{adcref} =3.3V, then ParameterBlock = 5

Note: Maximum value of parameter block is 14.

2.5.2.4 GPIO Pins

Parameter block is selected based on the four GPIO pins. GPIO pins used for parameter set selection are named as “PAR0”, “PAR1”, “PAR2” and “PAR3”. Mapping between parameter page selections based on GPIO pins are listed in the Table 14.

Table 14 Parameter page Selection for GPIO

GPIO Input				Parameter Block
PAR3	PAR2	PAR1	PAR0	
0	0	0	0	0
0	0	0	1	1
0	0	1	0	2
0	0	1	1	3
0	1	0	0	4
0	1	0	1	5
0	1	1	0	6
0	1	1	1	7
1	0	0	0	8
1	0	0	1	9
1	0	1	0	10
1	0	1	1	11
1	1	0	0	12
1	1	0	1	13
1	1	1	0	14
1	1	1	1	14

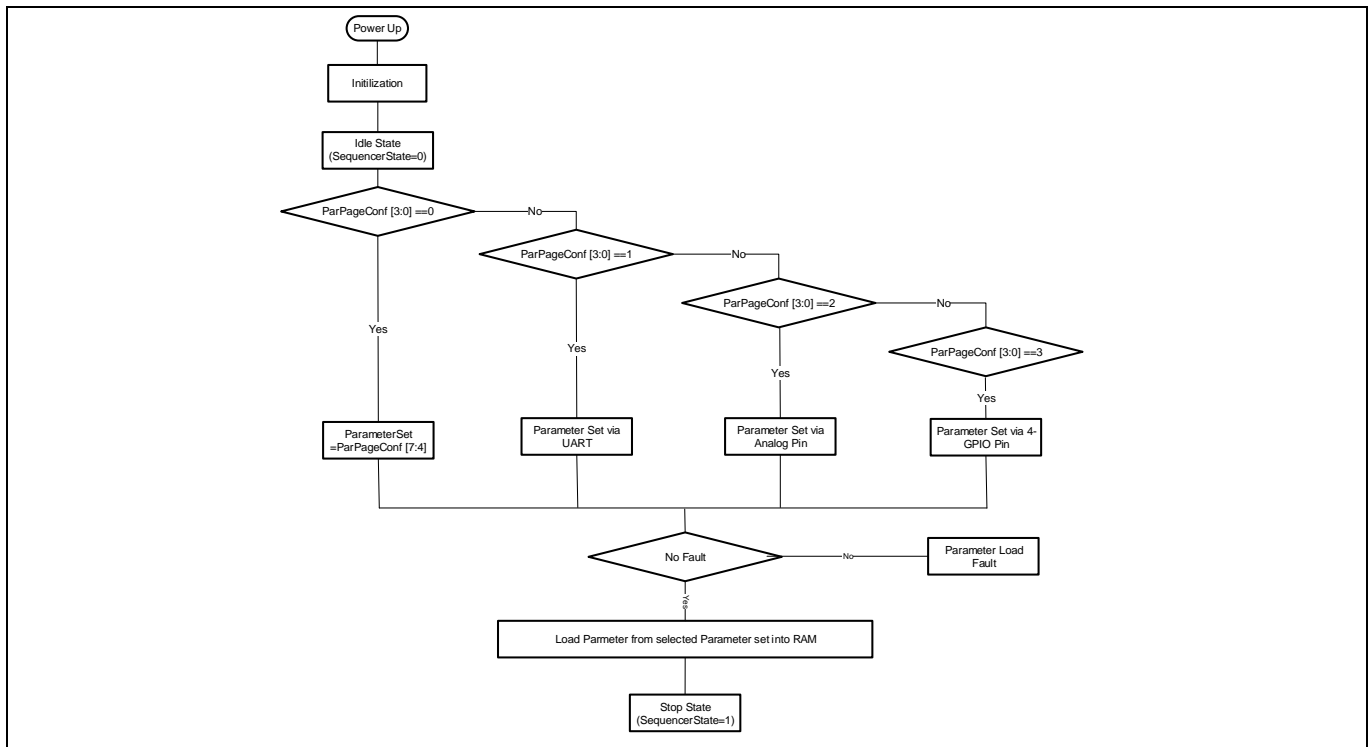


Figure 48 Parameter Load Procedure

2.5.3 Parameter load fault

If there is no parameter data available in the selected parameter block, MCE stays in IDLE state. It is not possible to start the motor from IDLE state. If there is no valid parameter data is available in the selected parameter block, MCE report parameter load fault and stays in IDLE state. In this condition, it is required to load the right parameter data or select right parameter block.

If there is no other fault, the MCE load parameter values into RAM then go to STOP state and is ready to run the motor.

2.6 Script Engine

Script Engine is a light weight virtual machine running in MCE. Script Engine enables user to write system level functionalities above motor control and PFC. Key advantages of script engine are:

- Extend capabilities of Turnkey devices by allowing to use digital and analog pins that are not used by motor control and/or PFC.
- Scalable for any future functional extension beyond motor control and PFC.
- Read and write all the motor control and PFC parameters and variables.

Some of the script use cases are listed below:

- Customization of System Start-up behaviour
 - Start motor and PFC based on external sensor or control inputs
 - Validate the system status before start motor and PFC
 - Modify motor current limit, voltage limit, Speed Ramp rate etc.
- Define specific speed profile and Parameter Configuration
 - Set target speed value on analog input or DC bus voltage or switch relay or fixed profile
 - Runtime adjustment of speed Ramp rate
 - PI value profiling at different speed range
 - Synchronization between PFC and motor control operation
- Fault handling and Parameter configuration
 - Define system specific fault handling, reduce the speed or current during any fault conditions and recovery scheme after fault

2.6.1 Overview

Script code follow ‘C’ like syntax. Script engine executes the script code from two different task with different priority. Script engine supports arithmetic, binary logical operators, decision statement (If...else statement) and loop statement (FOR statement). User can define variables in script code and these variable can be monitored from MCEDesigner. In iMOTION product, 16kB of memory area is reserved to store script code. So maximum allowed script byte code size is 16kB (Approximately 1.5k lines of code). Script code generation flow is mentioned in Figure 49.

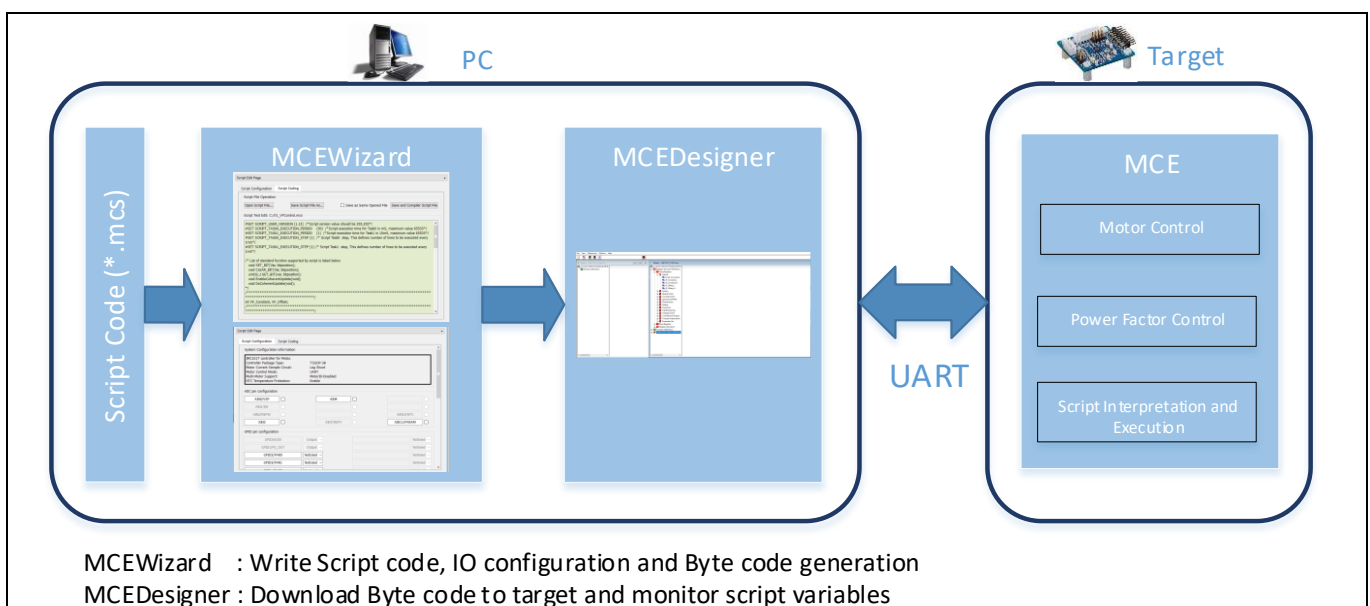


Figure 49 Script Code Generation flow

2.6.2 Script Program Structure

Script program consists of the following part

- Set Commands : Define script user version and script task execution period
- Functions: Script code should be written inside four predefined function- Script_Task0_init (), Script_Task0 (), Script_Task1_init () and Script_Task1 ().
- Variables and Parameters
- Statement and Expressions: Each individual statement must be ended with a semicolon.
- Comments: Starts with a slash asterisk /* and ends with an asterisk slash */ for multiple line comments or prefix double slash // to comment single lines

```

001      /*****
002      /*Script user version value, should be 255.255*/
003      #SET SCRIPT_USER_VERSION (1.12)
004      /*Script execution time for Task0 in ms, maximum value 65535*/
005      #SET SCRIPT_TASK0_EXECUTION_PERIOD (500)
006      /*Script execution time for Task1 in 10ms, maximum value 65535*/
007      #SET SCRIPT_TASK1_EXECUTION_PERIOD (1)
008      /*****
009      /* Global variable definition */
010      int Var1;
011      /*****
012      /*Task0 init function*/
013      Script_Task0_init()
014      {
015          /* local variable definition */
016          int Task0Var1;
017          Task0Var1 =0; /*Initialize local variable*/
018          Var1 =0; /*Initialize global variable*/
019      }
020      /*Task0 script function*/
021      Script_Task0 ()
022      {
023          Task0Var1 = Task0Var1+1; /*Increment Task0Var1*/
024          Var1 = Var1+1; /*Increment Var1*/
025      }
026      /*****
027      /*Task1 init function*/
028      Script_Task1_init()
029      {
030          /* local variable definition */
031          int Task1Var1;
032          Task1Var1 =0; /*Initialize local variable*/
033      }
034      /*Task0 script function*/
035      Script_Task1 ()
036      {
037          Task1Var1 = Task1Var1+1; //Increment Task1Var1
038          Var1 = Var1+1; /*Increment Var1*/
039      }

```

Code Listing 1 Run time counter usage example

2.6.3 Script Program Execution

Script engine executes script code from two independent tasks, named Task0 and Task1. Both the tasks are executed periodically. Task execution period can be configured using “SCRIPT_TASK0_EXECUTION_PERIOD” and “SCRIPT_TASK1_EXECUTION_PERIOD” parameters in script input file (*.mcs), for each tasks. Each tasks have separate initialization functions (Script_Taskx_init ()) to initialize script variable and motor/PFC parameters. Also it is possible to write script code inside the initialization function. These functions are called only once during start-up. Task0/Task1 script functions (Script_Taskx) are called periodically based on task execution period value.

Script tasks are lesser priority than motor control or PFC control loop functions. Among script tasks, Task0 has higher priority than Task1.

Task0 executes each line of script code or script instruction every 1ms and Task1 executes 10 lines of script code or script instruction for every 10ms. Total script execution time for Task0/Task1 can be calculated based on number of lines/instructions in the script code. Example if number of lines in Task0/Task1 is 50, then Task0/Task1 takes 50ms to execute complete the script code once.

If Task0 execution period is set to 100ms (SCRIPT_TASK0_EXECUTION_PERIOD =100), and number of lines in Task0 is 50. Task0 script function takes 50ms to execute the complete script code once and no script code executed for remaining 50ms (execution period is set to 100ms). After 100ms, Task0 starts executing the script again.

If Task0 execution period is set to 100ms (SCRIPT_TASK0_EXECUTION_PERIOD =100), and number of lines in Task0 is 150. Task0 script function takes 150ms to execute the complete script code once and after finish the current execution, immediate start the execution again.

2.6.3.1 Execution Time Adjustment

As mentioned, Task0 executes one line of script code or script instruction every 1ms and Task1 executes 10 lines of script code or script instruction for every 10ms. It is possible to increase number of lines executed by Task0 or Task1, to accelerate the script execution.

Number of lines to be executed every 1ms in Task0 can be configured in script input file using set parameter called “SCRIPT_TASK0_EXECUTION_STEP”. If Task0 execution period is set to 100ms (SCRIPT_TASK0_EXECUTION_PERIOD =100), Task0 number of lines to be executed every 1ms is set to 2 (SCRIPT_TASK0_EXECUTION_STEP=2) and number of lines in Task0 is 100. Task0 script function takes 50ms to execute the complete script code once.

Similarly in Task1, number of lines to be executed every 10ms can be configured in script input file using set parameter called “SCRIPT_TASK1_EXECUTION_STEP”.

```

001      /*****
002      /*Script user version value, should be 255.255*/
003      #SET SCRIPT_USER_VERSION (1.12)
004      /*Script execution time for Task0 in ms, maximum value 65535*/
005      #SET SCRIPT_TASK0_EXECUTION_PERIOD (500)
006      /*Script execution time for Task1 in 10ms, maximum value 65535*/
007      #SET SCRIPT_TASK1_EXECUTION_PERIOD (1)
008      /*Defines number of lines to be executed every 1ms in Task0*/
009      #SET SCRIPT_TASK0_EXECUTION_STEP (2)
010      /*Defines number of lines to be executed every 10ms in Task1*/
011      #SET SCRIPT_TASK1_EXECUTION_STEP (10)
012

```

Code Listing 2 Run time counter usage example

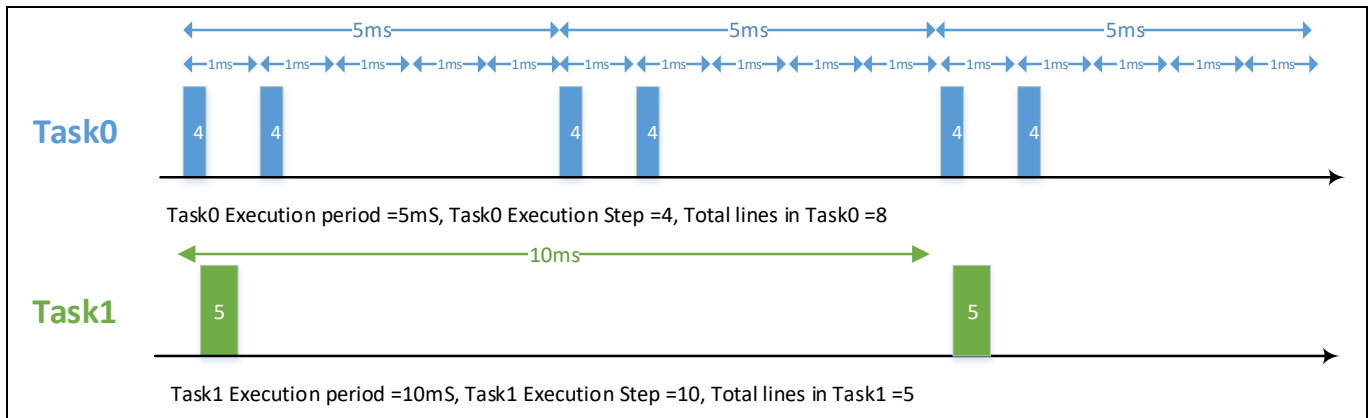


Figure 50 Script Task Execution

2.6.3.2 Free Running timer

One free running timer with 1ms resolution is available in the script engine to schedule periodic operation. Free running timer value (variable name: RunTimeCounter, size: 32 bit, type: Read only) can be directly accessed from script code. Example of RunTimeCounter is mentioned in the Code Listing 3

```

001      /*Task0 init function*/
002      Script_Task0_init()
003      {
004          /* local variable definition */
005          int sSVar0,sSVar1;
006          sSVar0 = RunTimeCounter;
007      }
008      /*Task0 script function*/
009      Script_Task0()
010      {
011          /* sSVar1 value toggles for every 10 seconds*/
012          if((RunTimeCounter-sSVar0)>10000)
013          {
014              sSVar0 =RunTimeCounter;
015              if(sSVar1==0)
016              {
017                  sSVar1 = 1;
018              }
019              else
020              {
021                  sSVar1 = 0;
022              }
023          }
024      }

```

Code Listing 3 Run time counter usage example

2.6.4 Constants

Script supports only integer literals in decimal and hexadecimal representation. Hexadecimal value should be prefixed with 0x. Constant value should not have any suffix, example U or L.

If any variable is assigned with float literals, value after decimal place is ignored by script translator.

2.6.5 Variable types and scope

Script engine supports maximum of 30 global variables, these variables can be accessed from both the task. Each task has maximum of 24 dedicated local variables. These local variables can be only accessed within the respective task. All the variables are 32-bit signed variables. Only global variables can be accessed from MCE Designer or User UART interface.

User can assign any name to script variable during declaration. Keyword 'int' should be used to declare script variable. Script variable name should only consist of alphanumeric character and underscore symbol ('_'). Variable name is case-sensitive. All the variable names, including global and local, should be unique. Keyword 'int' should be used to declare script variable.

Variable declared outside the Task0 or Task1 functions is treated as global variables. Variable declared inside Task0 or Task1 functions is local to Task0 or Task1.

Note: Variable can't be initialized during declaration.

```

001      /*****/
002      /* Global variable definition */
003      int Var1,Var2;
004      /*****/
005      /*Task0 init function*/
006      Script_Task0_init()
007      {
008          /* local variable definition */
009          int Task0Var1;
010          Task0Var1 =0; /*Initialize local variable*/
011          Var1 =0; /*Initialize global variable*/
012      }
013      /*Task0 script function*/
014      Script_Task0()
015      {
016          Task0Var1 = Task0Var1+1; /*Increment Task0Var1*/
017          Var1 = Var1+1; /*Increment Var1*/
018      }
019      /*****/
020      /*Task1 init function*/
021      Script_Task1_init()
022      {
023          /* local variable definition */
024          int Task1Var1;
025          Task1Var1 =0; /*Initialize local variable*/
026      }
027      /*Task1 script function*/
028      Script_Task1()
029      {
030          Task1Var1 = Task1Var1+1; //Increment Task1Var1
031          Var2 = Var1+1;
032      }

```

Code Listing 4 Script Global and Local Variables

2.6.6 Motor and PFC Parameter Access

All the motor control and PFC parameter and variables listed Table 23, Table 24, Table 25 and Table 26 can be accessed from script. Parameter and variables can be used directly in the script code without declaration. Only DYNAMIC type parameters and READWRITE type variables can be write from the script code. While writing this parameter or variables, range check will do performed before update the parameter or variable. If the value is out of range, parameter/variable won't be updated and error bit will be set to 0x13. It is possible to read the error flag (variable name: "ErrorFlag") from script code.

If write operation is performed on STATIC type parameter or READONLY type variable, parameter or variable won't be updated and error bit will be set to 0x10. This error flag can be cleared from script code directly.

Set of parameter and variables can be updated simultaneously using coherent update method. Two methods (EnableCoherentUpdate () and DoCoherentUpdate ()) are defined in script to do simultaneous update of parameter and variables.

If Coherent update is enabled (by called EnableCoherentUpdate () method), write operation will not be updated parameter and variables values immediately. Instead, all the values are stored into a buffer and update all parameter and variable simultaneously after calling DoCoherentUpdate () method. Script supports simultaneous update maximum of 32 parameter and variable. (Refer 2.6.11.2)

2.6.7 Operators

An operator is a symbol that inform the script to perform specific mathematical or logical functions. List of operators supported in script function are mentioned below

Table 15 Arithmetic Operators

Operator	Description
+	Adds two operands
-	Subtracts second operand from the first.
*	Multiplies both operands.
/	Divides numerator by de-numerator.
%	Modulus Operator and remainder of after an integer division

Table 16 Binary Operators

Operator	Description
	Binary OR Operator copies a bit if it exists in either operand.
&	Binary AND Operator copies a bit to the result if it exists in both operands.
^	Binary XOR Operator copies the bit if it is set in one operand but not both.
~	Binary Ones Complement Operator is unary and has the effect of 'flipping' bits.
<<	Binary Left Shift Operator. The left operands value is moved left by the number of bits specified by the right operand.
>>	Binary Right Shift Operator. The left operands value is moved right by the number of bits specified by the right operand.

Table 17 Assignment Operators

Operator	Description
=	Simple assignment operator. Assigns values from right side operands to left side operand

Table 18 Relational Operators

Operator	Description
==	Checks if the values of two operands are equal or not. If yes, then the condition becomes true.
>	Checks if the value of left operand is greater than the value of right operand. If yes, then the condition becomes true.
<	Checks if the value of left operand is less than the value of right operand. If yes, then the condition becomes true.

Table 19 Logical Operators

Operator	Description
&&	Logical AND operator used to combine two or more conditions. Operator returns true when both the conditions in consideration are satisfied. Otherwise it returns false
	Logical OR Operator used to combine two or more conditions. Operator returns true when any one of the conditions in consideration are satisfied. Otherwise it returns false

2.6.8 Expressions

An expression can contain numbers, script variables, motor control/ PFC variables and parameters. Left and right parentheses can be used.

Example: `TargetSpeed = ADCResult10*(InputScale+10)`

In an expression all the operator has same precedence and executed from left side to right side. So it is required to use left and right parentheses to force order of evaluation.

2.6.9 Decision Structures

Decision structures are used for branching. Script engine provides if statement for decision making. If statement can be followed by an optional else statement, which executes when the Boolean expression is false. Boolean expression can consist of relational operator and logical operators. Syntax of if...else statement in script language is mentioned below

```

001     if(boolean_expression)
002     {
003         /*Statement(s) will execute if the expression is true*/
004     }
005     else
006     {
007         /*Statement(s) will execute if the expression is false*/
008     }

```

If and else statement should be followed by curly braces

Code Listing 5 If...else statement syntax

Script programming assumes any non-zero and non-null values as true, and if it is either zero or null, then it is assumed as false value.

Software Description

```

001      /*Task0 init function*/
002      Script_Task0_init()
003      {
004          /* local variable definition */
005          int InputVal,OutputVal;
006          InputVal =1;
007      }
008      /*Task0 script function*/
009      Script_Task0()
010      {
011          /*Check the boolean condition*/
012          if(InputVal)
013              /* if condition is true then assign OutputVal =10 */
014              OutputVal=10;
015          }
016          else
017              /* if condition is false then assign OutputVal =100 */
018              OutputVal=100;
019          }
020      }

Result : OutputVal =10
    
```

Code Listing 6 Example If...else statement

More example for if statement Boolean expression supported by script are listed below

Table 20 Example If Statement Boolean expressions

Boolean expression	Description
if(InputVal1 ==1)	Condition is true if Inputval1 is equal to 1
if(InputVal1)	Condition is true if Inputval1 is equal to 1
if(InputVal1 &0x01)	Condition is true if Inputval1 first bit is SET(1)
if(InputVal1 0x01)	Condition is always true
if(InputVal1 ^0x01)	Condition is true if Inputval1 is not equal to 1
if(~InputVal1)	Condition is true if Inputval1 is equal to 0
if((InputVal1 ==1)&&(TargetSpeed==0))	Condition is true if Inputval1 is equal to 1 and TargetSpeed is equal to 0
if((InputVal1 ==1) ((TargetSpeed==0)))	Condition is true if Inputval1 is equal to 1 or TargetSpeed is equal to 0
if((InputVal1 ==1) && ((TargetSpeed==0) ((InputVal2 ==0))))	Condition is true if Inputval1 is equal to 1 and TargetSpeed or Inputval2 is equal to 0
if((InputVal1 ==1) ((TargetSpeed==0) ((InputVal2 ==1))))	Condition is true if Inputval1 is equal to 1 or TargetSpeed is equal to 0 or Inputval2 is equal to 1

It is possible to write nested if conditions, depth of nested if condition is limited to 15.

Software Description

```

001     if(boolean_expression1)
002     {
003         /*Statement(s) will execute if the expression1 is true*/
004         if((boolean_expression2)
005         {
006             /*Statement(s) will execute if the expression2 is true*/
007             if((boolean_expression3)
008             {
009                 /*Statement(s) will execute if the expression3 is true*/
010             }
011         }
012     }

```

Code Listing 7 Nested If... statement syntax

Script code only support “if” and “else” key words in decision structure. Code Listing 8 provide if...elseif..else statement syntax

```

001     if(boolean_expression1)
002     {
003         /*Statement(s) will execute if the expression1 is true*/
004     }
005     else
006     {
007         if(boolean_expression)
008         {
009             /*Statement(s) will execute if the expression is true*/
010         }
011         else
012         {
013             /*Statement(s) will execute if the expression is false*/
014         }
015     }
016 }

```

Code Listing 8 Syntax for if... Elseif...else statement**2.6.10 Loop Structures**

Loop structures are used for repeat process. FOR statement is supported for repeat processes.

Syntax of FOR statement in script language is mentioned below

```

001     for(<ScriptVariable> = <Startvalue> : <Endvalue>)
002     {
003         /*Statement(s) will execute for defined loop time*/
004     }

```

Code Listing 9 for statement syntax

Statements inside for loop are executed for Endvalue- Startvalue+1 times.

Software Description

```

001      /*Task0 init function*/
002      Script_Task0_init()
003      {
004          /* local variable definition */
005          int InputVal,OutputVal;
006          OutputVal=0;
007      }
008      /*Task0 script function*/
009      Script_Task0()
010      {
011          if(OutputVal==0)
012          {
013              for(InputVal =1 : 10)
014                  /* for loop executed for 10 times*/
015                  OutputVal= OutputVal+1;
016              }
017          }
018      }

Result : OutputVal =10
    
```

Code Listing 10 for statement Example

FOR statement does not counting down mode, always start value should be less than end value.

2.6.11 Methods

Predefined methods are available for specific operations. Methods supported in script functions are mentioned in the following sections

2.6.11.1 Bit access Methods

Three methods are defined in the script to read or write particular bit of script variables or motor control/PFC related variables or parameters.

Table 21 Bit Access Methods

Methods	Description
void SET_BIT(<Var>, <bitposition>)	Set the particular bit of variable
void CLEAR_BIT(<Var>, <bitposition>)	Clear the particular bit of variable
uint32_t GET_BIT(<Var>, <bitposition>)	Read the particular bit of variable

Note: Bitpostion value should be 0 to 15

Software Description

```

001      /*Task0 init function*/
002      Script_Task0_init()
003      {
004          /* local variable definition */
005          int InputVal,OutputVal1, OutputVal2;
006          InputVal =0;
007      }
008      /*Task0 script function*/
009      Script_Task0()
010      {
011          SET_BIT(InputVal,15);/*Set 15 bit of InputVal, InputVal =0x8000*/
012          /*Read 15 bit of InputVal and assign to OutputVal1*/
013          OutputVal1=GET_BIT(InputVal,15); /*OutputVal1=1*/
014          CLEAR_BIT(InputVal,15);/*clear 15 bit of InputVal, InputVal =0*/
015          /*Read 15 bit of InputVal and assign to OutputVal1*/
016          OutputVal2=GET_BIT(InputVal,15);/*OutputVal2=0*/
017      }

Result : OutputVal1 =1 and OutputVal2=0

```

Code Listing 11 Bit Access Methods Example

2.6.11.2 Coherent update methods

These methods are used for update motor control and/or PFC parameters and variables simultaneously.

Table 22 Coherent Methods

Methods	Description
void EnableCoherentUpdate(void)	Enable simultaneous update of parameter/variables
void DoCoherentUpdate(void)	Trigger simultaneous update of parameter/variables

Note: Maximum 32 variables can be updated simultaneously.

When coherent update is enabled, values are not updated into parameter/variables immediately. Instead values are stored into buffer and update the actual variable/parameter after trigger the coherent update.

```

001      /*Task1 init function*/
002      Script_Task0_init()
003      {
004          EnableCoherentUpdate();
005          AngleSelect =0; //Set to open loop
006          CtrlModeSelect =0;// voltage control mode
007          TargetSpeed = 0x258; //Set speed value
008          DoCoherentUpdate();
009      }

```

Code Listing 12 Coherent update Methods Example

2.6.12 User GPIOs

Script enables to read or write the digital pins available for user (digital pins not used by motor control and PFC). Also read the analog pin value that are available for user.

2.6.12.1 Digital input/Output pins

Digital pins available for user can be configured as input or output pins for MCEWizard. All configured digital input/output pins values are read/write by MCE for every 10ms and the value can be accessed for script code.

Four dedicated variables are defined in MCE to read or write digital input/output pins.

Variable Name	Type	Description
GPIO_IN_L	READONLY	Holds digital input/output (GPIO0 to GPIO15) pins values.
GPIO_IN_H	READONLY	Holds digital input/output (GPIO16 to GPIO29) pins values.
GPIO_OUT_L	READWRITE	Set or reset digital output pin (GPIO0 to GPIO15)
GPIO_OUT_H	READWRITE	Set or reset digital output pin (GPIO16 to GPIO29)

The logic level of a GPIO pin can be read via the read-only registers GPIO_IN_L and GPIO_IN_H. Read GPIO_IN_L and GPIO_IN_H register always returns the current logical value the GPIO pin, independently whether the pins is selected as input or output.

GPIO_IN_L

15	14	13	12	11	10	9	8	7	6	5	4	3	2	1	0
GPIO15_IN	GPIO14_IN	GPIO13_IN	GPIO12_IN	GPIO11_IN	GPIO10_IN	GPIO9_IN	GPIO8_IN	GPIO7_IN	GPIO6_IN	GPIO5_IN	GPIO4_IN	GPIO3_IN	GPIO2_IN	GPIO1_IN	GPIO0_IN

GPIO_IN_H

15	14	13	12	11	10	9	8	7	6	5	4	3	2	1	0
Reserved	Reserved	GPIO29_IN	GPIO28_IN	GPIO27_IN	GPIO26_IN	GPIO25_IN	GPIO24_IN	GPIO23_IN	GPIO22_IN	GPIO21_IN	GPIO20_IN	GPIO19_IN	GPIO18_IN	GPIO17_IN	GPIO16_IN

GPIOx_IN(x=0:29) variables can be accessed directly from script to read the logic level of particular pin.

GPIO_OUT_L and GPIO_OUT_H register determines the value of a digital pin when it is selected by MCEWizard as output. Writing a 0 to a bit position delivers a low level at the corresponding output pin. A high level is output when the corresponding bit is written with a 1.

GPIO_OUT_L

15	14	13	12	11	10	9	8	7	6	5	4	3	2	1	0
GPIO15_OUT	GPIO14_OUT	GPIO13_OUT	GPIO12_OUT	GPIO11_OUT	GPIO10_OUT	GPIO9_OUT	GPIO8_OUT	GPIO7_OUT	GPIO6_OUT	GPIO5_OUT	GPIO4_OUT	GPIO3_OUT	GPIO2_OUT	GPIO1_OUT	GPIO0_OUT

GPIO_OUT_H

15	14	13	12	11	10	9	8	7	6	5	4	3	2	1	0
Reserved	Reserved	GPIO29_OUT	GPIO28_OUT	GPIO27_OUT	GPIO26_OUT	GPIO25_OUT	GPIO24_OUT	GPIO23_OUT	GPIO22_OUT	GPIO21_OUT	GPIO20_OUT	GPIO19_OUT	GPIO18_OUT	GPIO17_OUT	GPIO16_OUT

GPIOx_OUT(x=0:29) variables can be accessed directly from script to write the logic level of particular pin.

```

001      /*Task0 script function*/
002      Script_Task0()
003      {
004          /*Toggle the GPIO2 pin using bit field*/
005          if(GPIO2_IN)
006          {
007              GPIO2_OUT=0;
008          }
009          else
010          {
011              GPIO2_OUT =1;
012          }
013          /*Toggle the GPIO2 pin using variable*/
014          if(GPIO_IN_L&0x2)
015          {
016              SET_BIT(GPIO_OUT_L,2);
017          }
018          else
019          {
020              CLEAR_BIT(GPIO_OUT_L,2);
021          }
022          /*Toggle the GPIO2 pin using variable*/
023          GPIO_OUT_L = GPIO_OUT_L^0x4;
024      }

```

Code Listing 13 Digital IO Access Example**2.6.12.2 Analog pins**

Analog pins available for user can be enabled for MCEWizard. All enabled analog pins values are read by MCE for every 10ms and the value can be read for script code.

Twelve dedicated variables are defined in MCE to read analog input pins value.

Software Description

Variable Name	Type	Description
ADC_Result0	READONLY	Holds AIN0 analog input value (12 bit value)
ADC_Result1	READONLY	Holds AIN1 analog input value (12 bit value)
ADC_Result2	READONLY	Holds AIN2 analog input value (12 bit value)
ADC_Result3	READONLY	Holds AIN3 analog input value (12 bit value)
ADC_Result4	READONLY	Holds AIN4 analog input value (12 bit value)
ADC_Result5	READONLY	Holds AIN5 analog input value (12 bit value)
ADC_Result6	READONLY	Holds AIN6 analog input value (12 bit value)
ADC_Result7	READONLY	Holds AIN7 analog input value (12 bit value)
ADC_Result8	READONLY	Holds AIN8 analog input value (12 bit value)
ADC_Result9	READONLY	Holds AIN9 analog input value (12 bit value)
ADC_Result10	READONLY	Holds AIN10 analog input value (12 bit value)
ADC_Result11	READONLY	Holds AIN11 analog input value (12 bit value)

Note: If user analog input are not enabled in MCEWizard, ADC_Result variable holds value 0

```

001      /*Task0 script function*/
002      Script_Task0 ()
003      {
004          /*Start the motor if ADC value is more than 100 count*/
005          if(ADC_Result10>100)
006          {
007              /*Set Target speed value based on ADC input*/
008              TargetSpeed = ADC_Result10<<2;
009              /*Motor start command*/
010              Command=1;
011          }
012          Else /*stop the motor*/
013          {
014              TargetSpeed=0;
015              /*Motor stop command*/
016              Command=0;
017          }
018      }

```

Code Listing 14 Read User Analog pin Example

2.6.13 Example Script code

A simple example script is described in this section. Example project requirements are listed below

- Run the motor in open loop mode and voltage control
- Set Target speed comments via Analog input.
- Calculate the voltage command based on target speed. Voltage = A*TargetSpeed+B.
- Start command via GPIO input, start motor if GPIO input is high and stop motor if GPIO input is low

2.6.13.1 Script Implementation

- AIN0 pin is used to read the speed command, AIN0 pin is enabled in MCEWizard.
- GPIO3 pin is for start/stop command. GPIO3 pin is configured as input pin in MCEWizard.
- Voltage = A*TargetSpeed+B, A and B are represented as (Q23.8 Q-format)in script.(A=1.5 is represented in script as 384)
- Execute the script code from Task0 for every 50ms

```

001  /*****
002  #SET SCRIPT_USER_VERSION (1.0)
003  #SET SCRIPT_TASK0_EXECUTION_PERIOD (50)
004  *****/
005  int A_Const,B_Const;          /* Global variable definition */
006  /*****
007  Script_Task0_init()          /*Task0 init function*/
008  {
009      int volt, Max_Limit;      /*Local variable definition */
010      Max_Limit = 4095;
011      A_Const = 150;
012      B_Const = 150;
013      EnableCoherentUpdate();
014      AngleSelect =0;          /*Set to open loop mode*/
015      CtrlModeSelect =0;      /*voltage control mode */
016      DoCoherentUpdate();
017  }
018  Script_Task0()              /*Task0 script function*/
019  {
020      if(GPIO3_IN==0)          /*Check GPIO3 input level*/
021      {
022          TargetSpeed=0;        /*Set Target Speed to zero*/
023          if(SpdRef<100)        /*Wait until motor rampdown */
024          {
025              Command=0;        /*Motor Stop Command*/
026          }
027      }
028      else
029      {
030          TargetSpeed = ADC_Result0; /*Set Target Speed from ADC0*/
031          /*Calculate voltage set value*/
032          volt = ((A_Const* SpdRef) + B_Const)>>8;
033
034          if(volt> Max_Limit)    /*Limit Check*/
035          {
036              volt = Max_Limit;
037          }
038          Vd_Ext = volt;         /*Set Vd value*/
039          Command=1;            /*Motor Start Command*/
040      }
041  }

```

Code Listing 15 Script Example

3 Register Description

This chapter describes the registers used in MCE. Parameters and variables are scaled within the 16 bit fixed point data range to represent floating-point quantities of the physical value (e.g.: in SI units).

There are two types of parameters used in MCE:

- **STATIC** : These type of parameters only can be modified/configured from MCEWizard and read from MCEDesigner
- **DYNAMIC**: These types of parameters can be modified/configured from MCEWizard and read/ write from MCEDesigner

Register Description

3.1 System Control Register (App ID =0)

3.1.1 ParPageConf

Index	0		
Size	Unsigned 16 bit		
Parameter Type	STATIC		
Range	Min: 0	Max:0xFFFF	Default: 0

Scaling or Notation: Bit field defined

Description: This parameter defines parameter page selection method and default parameter page

[3:0] Parameter page selection

0- No Selection

1- Parameter page selection via UART

2- Parameter page selection via Analog input

3- Parameter page selection via digital input

[7:4] Default parameter page number

[15:8] Reserved

Register Description

3.1.2 InterfaceConf0

Index	2		
Size	Unsigned 16 bit		
Parameter Type	STATIC		
Range	Min: 0	Max:0xFFFF	Default: 0
Scaling or Notation:	Bit field defined		

Description: This parameter defines UART0 and UART1 configuration.

- [2:0] UART0 function
 - 000: UART0 not used
 - 001: UART0 is used for User UART
 - 111: UART0 is used for MCEDesigner communication
 - Others: reserved
- [3] UART0 TxD output configuration
 - 0: push-pull output
 - 1: open-drain output
- [6:4] UART1 function
 - 000: UART1 not used
 - 001: UART1 is used for User UART
 - 111: UART1 is used for MCEDesigner communication
 - Others: reserved
- [7] UART1 TxD output configuration
 - 0: push-pull output
 - 1: open-drain output
- [15:8] Transmission delay configuration
 - 1 = 1 ms
 - Min: 0; Max: 255; Default: 0

Register Description

3.1.3 SysTaskTime

Index	62		
Size	Unsigned 16 bit		
Parameter Type	STATIC		
Range	Min: 0	Max:1000	Default: 1

Scaling or Notation: 1 count = 1ms

Description: This parameter defines the execution rate of state machine.

3.1.4 CPU_Load

Index	80		
Size	Unsigned 16 bit		
Variable Type	Read Only		
Range	Min: 0	Max:1000	Default: 0

Scaling or Notation: CPU load is represented in %. 1 = 0.1%

Description: CPU load is calculated in real-time. This parameter holds the value of CPU load value.

3.1.5 CPU_Load_Peak

Index	84		
Size	Unsigned 16 bit		
Variable Type	Read Write		
Range	Min: 0	Max:1000	Default: 0

Scaling or Notation: CPU load is represented in %. 1 = 0.1%

Description: CPU load peak is calculated in real-time. This parameter holds the peak value of CPU load value. This value can be reset to start over the tracking of CPU load peak value.

Register Description

3.1.6 FeatureID_selectH

Index	61		
Size	Unsigned 16 bit		
Parameter Type	STATIC		
Range	Min: 0	Max:0xFFFF	Default: 0

Scaling or Notation: Bit field defined

Description: This parameter defines enable or disable motor control and PFC

- [0] Enable PFC : 0-Disable, 1 -Enable
- [7:1] Reserved
- [8] Enable Motor control : 0-Disable, 1 -Enable
- [15:9] Reserved

3.1.7 GKConf

Index	22		
Size	Unsigned 16 bit		
Parameter Type	STATIC		
Range	Min: 0	Max:0xFFFF	Default: 0

Scaling or Notation: Bit field defined

Description: This parameter defines gate kill input source for motor control and pfc.

Refer section 2.1.6.3

- [1:0] Comparator 0 usage : 0- used by motor, 1- used by PFC
- [2] Comparator 0 enable : 0-Disable, 1 -Enable
- [4:3] Comparator 1 usage : 0- used by motor, 1- used by PFC
- [5] Comparator 1 enable : 0-Disable, 1 -Enable
- [7:6] Comparator 2 usage : 0- used by motor, 1- used by PFC
- [8] Comparator 2 enable : 0-Disable, 1 -Enable
- [10:9] Comparator 3 usage : 0- used by motor, 1- used by PFC
- [11] Comparator 3 enable : 0-Disable, 1 -Enable
- [12] Motor control gate kill pin enable :0- Disable, 1 -Enable
- [15:13] Reserved

3.1.8 SW_Version

Index	82		
Size	Unsigned 16 bit		
Variable Type	Read Only		
Range	Min: 0	Max:0xFFFF	Default: 0

Scaling or Notation: Bit field defined

Description: SW version scheme - 4:6:6 Bit Coding

- [5:0] Test version
- [11:6] Minor version
- [15:12] Major version

Register Description

3.1.9 InternalTemp

Index	81		
Size	Unsigned 16 bit		
Variable Type	Read Only		
Range	Min: 0	Max: 65535	Default: 0

Scaling or Notation: InternalTemp is represented in Kelvin. Ex: 300 = 300K.

Description: This parameter holds the sampled value of the internal temperature sensor. It is updated every $50 \cdot SysTaskTime$ (ms).

3.2 Motor Control Register (App ID =1)

Complete list of parameter and variables are listed in the Table 23 and 0 and find description in the following chapters.

Table 23 Motor control Parameter list

App ID	Index	Parameter Name	Type	Description
1	1	HwConfig	STATIC	Application hardware configuration parameter
1	2	SysConfig	STATIC	System configuration parameter
1	3	AngleSelect	DYNAMIC	Angle selection from flux or open loop or external
1	4	CtrlModeSelect	DYNAMIC	Control mode : Speed control, Current control or Voltage control
1	5	PwmFreq	STATIC	Motor PWM frequency
1	6	PwmDeadtimeR	STATIC	PWM dead time during leading edge (raising edge of high side switch output)
1	7	PwmDeadtimeF	STATIC	PWM dead time during trailing edge (falling edge of high side switch output)
1	8	SHDelay	DYNAMIC	Switch delay from PWM output to ADC sample time to avoid ADC sample during switching
1	9	TMinPhaseShift	DYNAMIC	Minimum time of an active vector for single shunt current measurement in phase shift PWM mode
1	10	TCntMin	DYNAMIC	Minimum time of an active vector for single shunt current measurement (minimum pulse width method)
1	11	PwmGuardBand	DYNAMIC	Minimum time of null vector for phase current measurement
1	12	FaultEnable	DYNAMIC	Enable or disable fault condition handling. When a fault bit is not set, the fault condition is ignored
1	13	VdcOvLevel	DYNAMIC	DC bus over voltage trip level
1	14	VdcUvLevel	DYNAMIC	DC bus under voltage trip level
1	15	CriticalOvLevel	DYNAMIC	DC bus critical over voltage trip level
1	16	RotorLockTime	DYNAMIC	Rotor lock fault detection time
1	18	FluxFaultTime	DYNAMIC	PLL out of synchronous fault detection time
1	19	GatekillFilterTime	STATIC	Persistence filter time for PWM gate kill input

Register Description

App ID	Index	Parameter Name	Type	Description
1	20	CompRef	STATIC	Overcurrent trip level for gate kill input
1	21	BtsChargeTime	DYNAMIC	Bootstrap capacitor charging time
1	22	TCatchSpin	DYNAMIC	Catch spin synchronization time duration before engaging motor start acceleration
1	23	DirectStartThr	DYNAMIC	Catch Spin threshold speed limit for free running motor that decides whether to run directly in close loop FOC or configured startup mode
1	24	ParkTime	DYNAMIC	Total parking time of the rotor during startup
1	25	ParkAngle	DYNAMIC	Rotor alignment angle during parking
1	26	OpenloopRamp	DYNAMIC	Open loop speed acceleration rate
1	27	IS_Pulses	DYNAMIC	Number of PWM cycles for each inductor sensing pulse under nominal DC bus voltage
1	28	IS_Duty	DYNAMIC	PWM duty cycle during ANGLE_SENSING
1	29	IS_IqInIt	DYNAMIC	Initial torque been applied after done ANGLE_SENSING stage and before entering MOTOR_RUN.
1	30	KpSreg	DYNAMIC	Proportional gain of the speed regulator
1	31	KxSreg	DYNAMIC	Integral gain of the speed regulator
1	32	MotorLim	DYNAMIC	Maximum allowable motor current (d axis and q axis)
1	33	RegenLim	DYNAMIC	Maximum allowable motor current (d axis and q axis)while motor is running in regenerative mode
1	34	RegenSpdThr	DYNAMIC	Switch over speed threshold between RegenLim and MotorLim motor current limits
1	35	LowSpeedLim	DYNAMIC	Maximum allowable motor current (d axis and q axis) at low speed
1	36	LowSpeedGain	STATIC	Increment rate of Motor current limit after Minspd Threshold
1	37	SpdRampRate	DYNAMIC	close loop speed acceleration rate
1	38	MinSpd	DYNAMIC	Minimum allowed drive operating speed
1	39	Rs	STATIC	Per phase winding resistance of the motor
1	40	L0	STATIC	Per phase winding inductance of the motor at rated current
1	41	LSIncy	STATIC	Saliency inductance of the motor
1	42	VoltScl	STATIC	Internal scaling factor between voltage and flux
1	43	PlIKp	DYNAMIC	Angle Frequency Generator tracking proportional gain
1	44	PlIKi	DYNAMIC	Angle Frequency Generator tracking integral gain
1	45	PlIFreqLim	DYNAMIC	Frequency limit of the PLL integral gain output
1	46	AngMTPA	DYNAMIC	Angle compensation
1	47	FlxTau	STATIC	Define by flux estimator time constant. Used to adjustment for the flux estimator bandwidth.

Register Description

App ID	Index	Parameter Name	Type	Description
1	48	AtanTau	DYNAMIC	Angle compensation for the phase shift introduced by flux integration time constant
1	49	SpeedScalePsc	STATIC	Speed scale prescaler value. Used for internal scaling between rotor frequency and motor speed
1	50	SpeedScale	STATIC	Internal scaling factor between rotor frequency and motor speed. Convert rotor frequency to motor speed
1	51	SpeedScaleRcp	STATIC	Internal scaling factor between rotor frequency and motor speed. Convert motor speed to rotor frequency
1	52	SpdFiltBW	DYNAMIC	Low pass filter time constant for motor Speed estimation
1	53	PGDeltaAngle	STATIC	PG output configuration, defines number of pulses per motor revolution
1	54	IfbkScl	STATIC	Internal scaling factor between alpha/beta current to d/q current. Current scale to represent d axis and q axis current rated motor current.
1	55	Kplreg	DYNAMIC	Proportional gain of q-axis current regulator
1	56	KplregD	DYNAMIC	Proportional gain of d-axis current regulator
1	57	Kxlreg	DYNAMIC	Integral gain of d- and q-axis current regulator
1	58	FwkLevel	DYNAMIC	Modulation threshold to start field weakening
1	59	FwkKx	DYNAMIC	Gain of field weakening control
1	60	FwkCurRatio	DYNAMIC	-Id current limit for field weakening
1	61	VdqLim	DYNAMIC	Current regulator output limit
1	62	AngDel	DYNAMIC	Gain adjustment for current angle advancement
1	63	AngLim	DYNAMIC	Maximum limit on the current angle phase advancement
1	64	IdqFiltBW	DYNAMIC	low pass filter time constant for Id and Iq
1	65	Pwm2PhThr	DYNAMIC	Switch over speed from 3 phase PWM to 2 phase PWM
1	66	TDerating	STATIC	Reserved for future use.
1	67	TShutdown	DYNAMIC	Over-temperature shutdown threshold
1	68	CmdStop	STATIC	Motor stop threshold value for Vsp/frequency/duty cycle control inputs. If the input value is less than threshold, motor will be stopped.
1	69	CmdStart	STATIC	Motor start threshold value for Vsp/frequency/duty cycle control inputs. If the input value is more than threshold, motor will be started.
1	70	CmdGain	STATIC	Slope of set speed value for Vsp/frequency/duty cycle control inputs.
1	71	AppConfig	DYNAMIC	Application configuration Parameter
1	72	NodeAddress	STATIC	Node Address
1	73	PrimaryControlLoop	DYNAMIC	Primary control loop
1	74	PhaseLossLevel	DYNAMIC	Phase loss detection current level

Register Description

App ID	Index	Parameter Name	Type	Description
1	75	TrqCompGain	DYNAMIC	Torque Compensation gain maximum value
1	76	TrqCompAngOfst	DYNAMIC	Torque Compensation angle offset value
1	77	TrqCompLim	DYNAMIC	Torque Compensation limit value
1	78	TrqCompOnSpeed	DYNAMIC	Torque Compensation ON speed threshold value
1	79	TrqCompOffSpeed	DYNAMIC	Torque Compensation OFF speed threshold value
1	80	PolePair	DYNAMIC	Motor pole pair value
1	81	FaultRetryPeriod	DYNAMIC	Retry period after fault if control input is frequency, duty or VSP
1	83	OffSetAdj0	DYNAMIC	Additional offset added to the first current sampling value in single shunt configuration with low noise phase shift PWM scheme.
1	84	OffSetAdj1	DYNAMIC	Additional offset added to the second current sampling value in single shunt configuration with low noise phase shift PWM scheme.
1	85	HallAngleOffset	DYNAMIC	Hall sensor alignment offset value.
1	86	Hall2FluxThr	DYNAMIC	Switch-over speed threshold from using Hall angle to using flux angle.
1	87	Flux2HallThr	DYNAMIC	Switch-over speed threshold from using flux angle to using Hall angle.
1	88	HallSampleFilter	STATIC	Hall sample filter de-bounce time.
1	89	HallSpdFiltBW	DYNAMIC	Time constant of the digital low-pass filter for Hall frequency.
1	90	MIrampRate	DYNAMIC	Ramp rate of MI reference.
1	91	KpMIreg	DYNAMIC	Proportional gain of the MI regulator.
1	92	KxMIreg	DYNAMIC	Integral gain of the MI regulator.
1	93	MinMI	DYNAMIC	Minimum allowed MI.
1	94	HallTimeoutPeriod	DYNAMIC	Hall sensor time-out fault period.

Register Description

Table 24 Motor control Variable list

App ID	Index	Variable Name	Type	Description
1	120	Command	READWRITE	Controls the system state - Stop/ start the motor
1	121	TargetSpeed	READWRITE	Target speed of the motor, when the drive is in speed control mode.
1	122	Iu	READONLY	Reconstructed motor phase U current
1	123	Iv	READONLY	Reconstructed motor phase V current
1	124	Iw	READONLY	Reconstructed motor phase W current
1	125	MotorSpeed	READONLY	Filtered motor running speed
1	126	I_Alpha	READONLY	Ialpha current
1	127	I_Beta	READONLY	Ibeta current
1	128	IdRef_Ext	READWRITE	Current command on d axis, when the drive is in current control mode.
1	129	IqRef_Ext	READWRITE	Current command on q axis, when the drive is in current control mode.
1	130	Vd_Ext	READWRITE	Vd command when the drive is in voltage control mode.
1	131	Vq_Ext	READWRITE	Vq command when the drive is in voltage control mode.
1	132	SwFaults	READONLY	Drive fault status based on fault condition and fault mask
1	133	SequencerState	READONLY	Current state of the drive
1	134	FaultClear	READWRITE	Fault clear
1	135	FaultFlags	READONLY	Drive fault status based on fault condition
1	136	VdcRaw	READONLY	DC bus voltage
1	137	VdcFilt	READONLY	DC bus filtered voltage
1	138	FluxAngle	READONLY	Estimated rotor Angle
1	139	Flx_M	READONLY	Fundamental flux amplitude
1	140	abs_MotorSpeed	READONLY	Absolute motor speed
1	141	IdFilt	READONLY	Id current filter value
1	142	IqFilt	READONLY	Iq current filter value
1	143	IdFwk	READONLY	Id field weakening current value
1	144	VTH	READONLY	NTC temperature value
1	145	FluxAlpha	READONLY	Flux alpha component value
1	146	FluxBeta	READONLY	Flux beta component value
1	147	Flx_Q	READONLY	Net Flux on Q axis value
1	148	TrqRef	READONLY	Torque Reference, Speed PI output
1	149	Id	READONLY	Id current value
1	150	Iq	READONLY	Iq current value
1	151	V_Alpha	READONLY	Voltage alpha component value
1	152	V_Beta	READONLY	Voltage beta component value
1	153	SpeedError	READONLY	Speed PI error value

Register Description

App ID	Index	Variable Name	Type	Description
1	154	MotorCurrent	READONLY	Motor current value
1	155	OpenLoopAngle	READWRITE	Open loop Angle
1	156	Vd	READONLY	Motor Vd voltage value
1	157	Vq	READONLY	Motor Vq voltage value
1	158	MotorVoltage	READONLY	Motor voltage value
1	159	TrqRef_Comp	READONLY	Torque Compensation output value
1	162	SpdRef	READONLY	Speed Reference output from Speed ramp function. Input to Speed PI controller
1	166	MIndexFilt	READONLY	Filtered MI.
1	167	HallAngle	READONLY	Hall sensor based rotor angle.
1	168	HallMotorSpeed	READONLY	Hall sensor based motor speed.
1	169	FluxMotorSpeed	READONLY	Flux estimator based motor speed.
1	170	RotorAngle	READONLY	Rotor angle.
1	171	MotorStatus	READONLY	Angle type, PWM modulation type, and phase shift PWM scheme.
1	172	TargetMI	READWRITE	Target MI of the motor, when the drive is in duty control mode.
1	173	MIRef	READONLY	MI reference output from MI ramp function.
1	175	PositionCounter	READONLY	Lower 16 bit of the Hall position counter.
1	176	PositionCounter_H	READONLY	Higher 16 bit of the Hall position counter.

Register Description

3.2.1 Control Register Group

3.2.1.1 HwConfig

Index	1		
Size	Unsigned 16 bit		
Parameter Type	STATIC		
Range	Min: 0	Max: 0xFFFF	Default: 0x0120

Scaling or Notation: Bit field definitions are mentioned in description

Description: Motor control application hardware configuration parameter

- [0] Current Shunt Type
 - 0- Single Shunt current sensing
 - 1- Leg Shunts current sensing (2 Phase current sensing)
- [2:1] Reserved
- [4:3] PWM Mode
 - 0- 3 Phase PWM only
 - 3- 2 Phase Type 3 PWM
- [5] Minimum Pulse (single shunt only)
 - 0- Use phase shift for narrow pulse
 - 1- Use minimum pulse for narrow pulse
- [6] Active polarity for Low side PWM outputs
 - 0- Active level is low
 - 1- Active level is high
- [7] Active polarity for High side PWM outputs
 - 0- Active level is low
 - 1- Active level is high
- [8:9] Internal gain for current measurement
 - 0- Internal gain is 1
 - 1- Internal gain is 3
 - 2- Internal gain is 6
 - 3- Internal gain is 12
- [12] Low noise phase shift PWM enable
 - 0- Disable low noise phase shift PWM
 - 1- Enable low noise phase shift PWM
- [15:10] Reserved

Attention: *In MCEWizard current shunt type shall be configured as per actual hardware. Wrong configuration may leads to damage of switches due to over current.*

Attention: *In MCEWizard active polarity of high side and low side switches shall be configured as per actual hardware. Wrong configuration may lead to short circuits in switches.*

Register Description

3.2.1.2 SysConfig

Index	2		
Size	Unsigned 16 bit		
Parameter Type	STATIC		
Range	Min: 0	Max: 0xFFFF	Default: 0x0005

Scaling or Notation: Bit field definitions are mentioned in description

Description: Motor control system configuration parameter

- [0] DC bus voltage compensation
 - 0- Disabled
 - 1- Enabled
- [1] Reserved
- [5:2] Execution rate for current control loop.
 - 1- Current control loop executed every PWM period
 - 2- Current control loop executed every 2 PWM period
 - ...
 - 15- Current control loop executed every 15 PWM period
- [10:8] Hall input, hold number of hall inputs
 - 000_b – No hall sensor
 - 011_b - 2 Hall sensor input
 - 111_b – 3 Hall sensor input
 - Other values are reserved.
- [12:11] Hall Type, Digital or Analog hall sensor
 - 0 – Digital hall interface
 - 2 – Analog hall interface
- [15:10] Reserved

3.2.1.3 AngleSelect

Index	3		
Size	Unsigned 16 bit		
Parameter Type	DYNAMIC		
Range	Min: 0	Max: 2	Default: 2

Scaling or Notation: See description

Description: This parameter used to select the rotor angle

- 0- Open loop angle. Rotating speed is configured by parameter “TargetSpeed”, if Targetspeed=0, open loop angle is fixed can be changed by writing a value to parameter “OpenLoopAngle”
- 1- Hall angle. Rotor angle is provided by Hall angle.
- 2- Flux angle. Rotor angle is provided by Flux estimator.
- 3- Hybrid angle. Rotor angle switches between Hall angle and flux angle. The switch-over thresholds are determined by parameters named ‘Hall2FluxThr’ and ‘Flux2HallThr’.

Register Description

3.2.1.4 CtrlModeSelect

Index	4		
Size	Unsigned 16 bit		
Parameter Type	DYNAMIC		
Range	Min: 0	Max: 3	Default: 2

Scaling or Notation: See description

Description: This parameter used to select one of three control modes:

- 0- Open loop voltage control mode, voltage command is Vd_Ext and Vq_Ext
- 1- Current control mode, current command is IdRef_Ext and IqRef_Ext
- 2- Speed control mode, speed command is TargetSpeed
- 3- Duty control mode, duty command is TargetMI

Register Description

3.2.1.5 APPConfig

Index	71		
Size	Unsigned 16 bit		
Parameter Type	DYNAMIC		
Range	Min: 0	Max: 0xFFFF	Default: 0

Scaling or Notation: Bit field definitions are mentioned in description

Description: Motor control system configuration parameter

- [2:0] Control input selection (Set target speed value)
 - 0: UART control
 - 1: Vsp analog input
 - 2: Frequency input
 - 3: Duty cycle input
- [3] Enable Restart after Fault: Vsp, frequency or duty cycle control input mode, if there is fault condition, motor will stop and start a 10seconds counter. After 10 seconds, the control will try to clear the fault for 10 times. If the fault condition still exists, control will stay in fault condition. This feature is not available in UART control mode.
 - 0: Disable restart after fault
 - 1: Enable restart after fault
- [4] Enable torque compensation
 - 0: Disable torque compensation
 - 1: Enable torque compensation
- [15:5] Reserved

3.2.1.6 PrimaryControlRate

Index	73		
Size	Unsigned 16 bit		
Parameter Type	DYNAMIC		
Range	Min: 1	Max: 16	Default: 2

Scaling or Notation: See description

Description: This parameter defines the execution rate of speed control loop. Speed control loop executed every Fast Control Rate*Primay control rate* PWM period. Speed ramp rate is calculated based on this value.

3.2.1.7 Command

Index	120		
Size	Unsigned 16 bit		
Variable Type	Read Write		
Range	Min: 0	Max: 1	Default: 0

Scaling or Notation: See description

Description: This variable controls the system state with the following values:

- 0- Stop the motor
- 1- Start the motor



Register Description

3.2.1.8 SequencerState

Index	133		
Size	Unsigned 16 bit		
Variable Type	Read Only		
Range	Min: 0	Max: 9	Default: 0

Scaling or Notation: See description

Description: This variable contains the current sequence state of the drive

- 0- Power on state
- 1- Stop state
- 2- Calculate offset current
- 3- Charging boot strap capacitors
- 4- Motor running
- 5- Fault state
- 6- Catch spin
- 7- Parking
- 8- Open loop acceleration
- 9- Angle Sensing (Initial rotor angle detection)

3.2.1.9 MotorStatus

Index	171		
Size	Unsigned 16 bit		
Variable Type	Read Only		
Range	Min: -32768	Max: 32767	Default: NA

Scaling or Notation: See description.

Description: This variable contains the status of angle type, PWM modulation type, and phase shift PWM scheme.

- [0] Angle type
 - 0: using Hall angle
 - 1: using flux angle
- [1] Phase shift PWM scheme
 - 0: using low noise phase shift PWM scheme
 - 1: using normal phase shift PWM scheme
- [2] PWM modulation type
 - 0: using 3-phase PWM modulation
 - 1: using 2-phase PWM modulation

Register Description

3.2.2 PWM Register Group

3.2.2.1 PwmFreq

Index	5		
Size	Unsigned 16 bit		
Parameter Type	STATIC		
Range	Min: 20	Max:800	Default:160

Scaling or Notation: 1 = 0.1 kHz F_{PWM} ; 160 = 16kHz F_{PWM}

Description: This parameter configures the motor PWM frequency in 0.1 kHz increment.
 PWM Period value = $96,000,000 / (2 * PWMFreq[Hz])$

3.2.2.2 PWMDeadtimeR

Index	6		
Size	Unsigned 16 bit		
Parameter Type	STATIC		
Range	Min: 0	Max:240	Default:48

Scaling or Notation: 1 = 20.8333ns

Description: PWM dead time during leading edge (raising edge of high side switch output)

Register Description

3.2.2.3 PWMDeadtimeF

Index	7		
Size	Unsigned 16 bit		
Parameter Type	STATIC		
Range	Min: 0	Max:240	Default:48

Scaling or Notation: 1 = 20.8333ns

Description: PWM dead time during trailing edge (falling edge of high side switch output)

3.2.2.4 SHDelay

Index	8		
Size	Unsigned 16 bit		
Parameter Type	DYNAMIC		
Range	Min: -192	Max:960	Default: 0

Scaling or Notation: 1 = 10.4167ns

Description: SHDelay specifies the time delay from PWM output to ADC sample time for current sensing. The delay time is depending on the hardware design; usually it should consider propagation delay of gate driver circuit and turn on (turn off) delay of switching devices.

In Phase Shift PWM mode, in order to avoid sample the shunt resistor signal while device is switching, SHDelay should be configured smaller than actual hardware delay. Some board design may allow bigger SHDelay value without causing much current sensing noise (bigger SHDelay value may help for a smaller TMinPhaseShift value).

In Minimum Pulse PWM mode, SHDelay should be configured same as actual hardware delay.

3.2.2.5 TMinPhaseShift

Index	9		
Size	Unsigned 16 bit		
Parameter Type	DYNAMIC		
Range	Min: 0	Max:960	Default: 0

Scaling or Notation: 1 = 10.4167ns

Description: In Phase Shift PWM mode, TMinPhaseShift configure the minimum time of an active vector for single shunt current sensing.

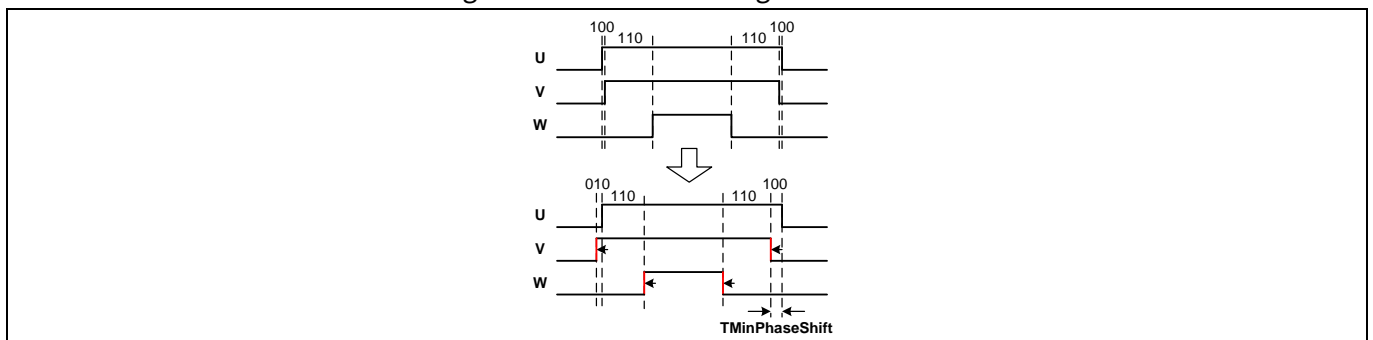


Figure 51 TminphaseShift PWM

Register Description

3.2.2.6 TCntMin

Index	10		
Size	Unsigned 16 bit		
Parameter Type	DYNAMIC		
Range	Min: 0	Max:960	Default: 0

Scaling or Notation: 1 = 10.4167ns

Description: This parameter specifies the minimum PWM pulse width if minimum pulse width method is being used.

3.2.2.7 PwmGuardBand

Index	11		
Size	Unsigned 16 bit		
Parameter Type	DYNAMIC		
Range	Min: 0	Max:960	Default: 0

Scaling or Notation: 1 = 10.4167ns

Description: In leg shunt configuration, this parameter provides a guard band such that PWM switching at high modulation cannot migrate into the beginning and end of a PWM cycle. The guard band insertion can improve feedback noise immunity for signals sampled near the beginning and end of a PWM cycle.
Guard band insertion will reduce the maximum achievable inverter output voltage.

3.2.2.8 Pwm2PhThr

Index	65		
Size	Unsigned 16 bit		
Parameter Type	DYNAMIC		
Range	Min: 0	Max:32767	Default: 0

Scaling or Notation: 16383= Motor Max RPM

Description: Switch over speed from 3 phase PWM to 2 phase PWM. When the motor’s absolute speed reach or above Pwm2PhThr, PWM will change to the mode configured in HwConfig [4:3].
When the motor speed reduced to below Pwm2PhThr-256, PWM scheme will return to 3 phase PWM.
If the value of Pwm2PhThr is 256 or below, and HwConfig[4:3] is configured 3 after PWM mode change to 2 phase PWM, it will not return to 3 phase PWM automatically unless stop the motor and start again.

Register Description

3.2.2.9 OffSetAdj0

Index	83		
Size	Signed 16 bit		
Parameter Type	DYNAMIC		
Range	Min: -128	Max: 127	Default: 0

Scaling or Notation: ADC counts

Description: This parameter specifies the amount of additional offset added to the first current sampling value (-Iw) in single shunt configuration with low noise phase shift PWM scheme. This parameter value is not being used with other PWM schemes or in leg shunt configuration.

3.2.2.10 OffSetAdj1

Index	84		
Size	Signed 16 bit		
Parameter Type	DYNAMIC		
Range	Min: -128	Max: 127	Default: 0

Scaling or Notation: ADC counts

Description: This parameter specifies the amount of additional offset added to the second current sampling value (Iu) in single shunt configuration with low noise phase shift PWM scheme. This parameter value is not being used with other PWM schemes or in leg shunt configuration.

3.2.3 Speed Control Register Group

3.2.3.1 KpSreg

Index	30		
Size	Unsigned 16 bit		
Parameter Type	DYNAMIC		
Range	Min: 0	Max:32767	Default: Set by MCEWizard

Scaling or Notation: U8.8

Description: This parameter specifies the proportional gain of the speed regulator.

3.2.3.2 KxSreg

Index	31		
Size	Unsigned 16 bit		
Parameter Type	DYNAMIC		
Range	Min: 0	Max:32767	Default:12

Scaling or Notation: U0.16

Description: This parameter specifies the integral gain of the speed regulator

Register Description

3.2.3.3 MotorLim

Index	32		
Size	Unsigned 16 bit		
Parameter Type	DYNAMIC		
Range	Min: 0	Max:16383	Default:4095

Scaling or Notation: 4095 = 100% motor rated current

Description: This parameter specifies the maximum allowable total motor current (d axis and q axis)

3.2.3.4 RegenLim

Index	33		
Size	Unsigned 16 bit		
Parameter Type	DYNAMIC		
Range	Min: 0	Max:16383	Default:409

Scaling or Notation: 4095= 100% motor rated current

Description: This parameter specifies the maximum total motor current (d axis and q axis) while motor is running in regenerative mode.

RegenLim should be set to a low value if the drive has no break resistor otherwise regenerative current will raise the DC bus voltage and cause fault condition.

Register Description

3.2.3.5 RegenSpdThr

Index	34		
Size	Unsigned 16 bit		
Parameter Type	DYNAMIC		
Range	Min: 0	Max:16383	Default:600

Scaling or Notation: 16383 = Motor Max RPM

Description: This parameter specifies the switch over speed threshold between RegenLim and MotorLim.

3.2.3.6 LowSpeedLim

Index	35		
Size	Unsigned 16 bit		
Parameter Type	DYNAMIC		
Range	Min: 0	Max:16383	Default:2047

Scaling or Notation: 4095 = 100% motor rated current.

Description: This parameter specifies the maximum allowable motor current (d axis and q axis) at low speed (motor speed value less than or equal to Minspd value). Refer section 2.1.4.1.3 for more information.

3.2.3.7 LowSpeedGain

Index	36		
Size	Unsigned 16 bit		
Parameter Type	STATIC		
Range	Min: 0	Max:65535	Default: 0

Scaling or Notation: U16.0

Description: This parameter specifies the increment rate of Motor current limit between MinSpd and low speed threshold. Refer section 2.1.4.1.3 for more information.

3.2.3.8 SpdRampRate

Index	37		
Size	Unsigned 16 bit		
Parameter Type	DYNAMIC		
Range	Min: 0	Max:32767	Default: 0

Scaling or Notation: See description

Description: This parameter (Q11) specifies the ramp rate of target speed reference.

$$SpdRampRate = \frac{Speed\ Ramp\ Rate(RPM/s) \cdot 16383}{Motor\ Max\ Speed(RPM)} \cdot \frac{Primary\ Control\ Rate \cdot Fast\ Control\ Rate}{F_{PWM}(Hz)} \cdot 2^{11}$$

Register Description

3.2.3.9 MinSpd

Index	38		
Size	Unsigned 16 bit		
Parameter Type	DYNAMIC		
Range	Min: 0	Max:16363	Default: 600

Scaling or Notation: 16383 = Motor Max RPM

Description: This parameter configures the minimum motor speed. Motor will run at MinSpd when the target motor speed is below MinSpd.

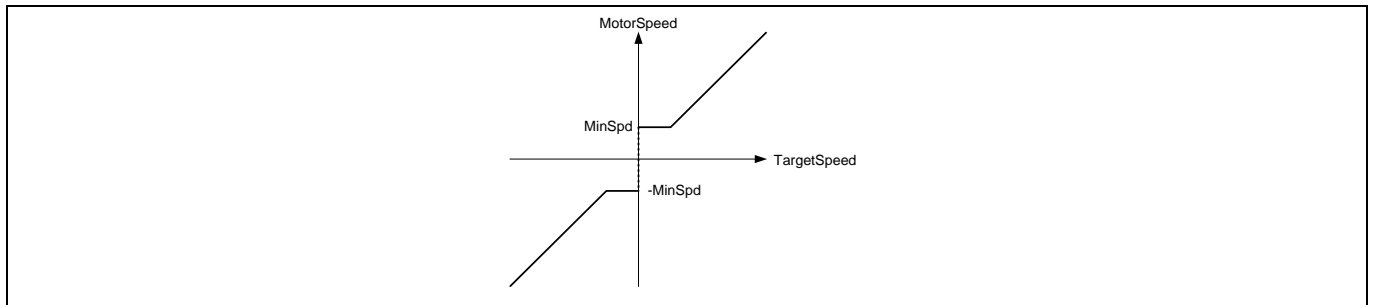


Figure 52 Minimum Speed

3.2.3.10 TargetSpeed

Index	121		
Size	Signed 16 bit		
Variable Type	Read Only		
Range	Min: -32767	Max:32767	Default: 0

Scaling or Notation: 16383 = Motor Max RPM

Description: This variable sets the target speed of the motor, when the drive is in speed control mode. If the motor is running in Vsp analog input, frequency input or duty cycle control, this variable will be updated by software and writing to it has no effect.

3.2.3.11 TrqRef

Index	148		
Size	Signed 16 bit		
Variable Type	Read Only		
Range	Min: -4095	Max:4095	Default: 0

Scaling or Notation: 4095= 100% motor rated RMS current

Description: This variable holds the value of Speed PI output value.

Register Description

3.2.3.1 SpdRef

Index	162		
Size	Signed 16 bit		
Variable Type	Read Only		
Range	Min: -32767	Max:32767	Default: 0

Scaling or Notation: 16383 = Motor Max RPM

Description: Speed Reference output from Speed ramp function. Input to Speed PI controller

3.2.3.2 RotorAngle

Index	170		
Size	Signed 16 bit		
Variable Type	Read Only		
Range	Min: -32768	Max: 32767	Default: NA

Scaling or Notation: 90° = 16384

Description: This variable represents the rotor angle being used by speed control loop.

3.2.4 Duty Mode Control Register Group

3.2.4.1 MIRampRate

Index	90		
Size	Unsigned 16 bit		
Parameter Type	DYNAMIC		
Range	Min: 0	Max:32767	Default: Set by MCEWizard

Scaling or Notation: See description

Description: This parameter specifies the ramp rate of MI reference.

$$MIRampRate = \frac{MI\ Ramp\ Rate[Duty] \cdot 16383}{100} \cdot \frac{Primary\ Control\ Rate \cdot Fast\ Control\ Rate}{F_{PWM}[Hz]}$$

3.2.4.2 KpMlreg

Index	91		
Size	Unsigned 16 bit		
Parameter Type	DYNAMIC		
Range	Min: 0	Max:32767	Default: Set by MCEWizard

Scaling or Notation: U8.8

Description: This parameter specifies the proportional gain of the MI regulator.

Register Description

3.2.4.3 KxMIreg

Index	92		
Size	Unsigned 16 bit		
Parameter Type	DYNAMIC		
Range	Min: 0	Max:32767	Default: Set by MCEWizard

Scaling or Notation: U0.16

Description: This parameter specifies the integral gain of the MI regulator.

3.2.4.4 MinMI

Index	93		
Size	Unsigned 16 bit		
Parameter Type	DYNAMIC		
Range	Min: 0	Max: 16383	Default: Set by MCEWizard

Scaling or Notation: 16383 = 100% MI

Description: This parameter configures the minimum MI. Motor will run at MinMI when the target MI is below MinMI.

3.2.4.5 MIndexFilt

Index	166		
Size	Signed 16 bit		
Variable Type	Read Only		
Range	Min: -16383	Max:16383	Default: NA

Scaling or Notation: 16383 = 100% MI

Description: Filtered actual MI value. Filter time constant is 64 motor PWM cycles (ex: $F_{PWM} = 20$ kHz, $\omega_c = 315$ rad / s). Its value will be reset to 0 when the control is not in RUN state.

3.2.4.6 TargetMI

Index	172		
Size	Signed 16 bit		
Variable Type	Read Write		
Range	Min: -16383	Max: 16383	Default: Set by MCEWizard

Scaling or Notation: 16383 = 100% MI

Description: This variable sets the target MI of the motor, when the drive is in duty control mode. If the motor is running in Vsp analog input, frequency input or duty cycle control, this variable will be updated by software and writing to it has no effect.

Register Description

3.2.4.7 MIRef

Index	173		
Size	Signed 16 bit		
Variable Type	Read Only		
Range	Min: -16383	Max: 16383	Default: NA

Scaling or Notation: 16383 = 100% MI

Description: MI reference output from MI ramp function. Input to MI PI controller.

3.2.5 Hall Sensor Interface Register Group

3.2.5.1 HallAngleOffset

Index	85		
Size	Signed 16 bit		
Parameter Type	DYNAMIC		
Range	Min: -32768	Max: 32767	Default: Set by MCEWizard

Scaling or Notation: 90° = 16384

Description: This parameter specifies the offset value between the zero-crossing of U phase back EMF waveform and the zero-crossing of Hall sensor 1 output waveform.

3.2.5.2 Hall2FluxThr

Index	86		
Size	Unsigned 16 bit		
Parameter Type	DYNAMIC		
Range	Min: 0	Max: 32767	Default: Set by MCEWizard

Scaling or Notation: 16383 = motor max. RPM

Description: This parameter specifies the switch-over speed threshold from using Hall angle to using flux angle in hybrid angle mode.

3.2.5.3 Flux2HallThr

Index	87		
Size	Unsigned 16 bit		
Parameter Type	STATIC		
Range	Min: 0	Max: 16383	Default: Set by MCEWizard

Scaling or Notation: 16383 = motor max. RPM

Description: This parameter specifies the switch-over speed threshold from using flux angle to using Hall angle in hybrid angle mode.

Register Description

3.2.5.4 HallSampleFilter

Index	88		
Size	Unsigned 16 bit		
Parameter Type	STATIC		
Range	Min: 0	Max: 32767	Default: Set by MCEWizard

Scaling or Notation: 1 = 10.417 ns

Description: This parameter specifies the de-bounce time used by the Hall sample filter.

3.2.5.5 HallSpdFiltBW

Index	89		
Size	Unsigned 16 bit		
Parameter Type	DYNAMIC		
Range	Min: 0	Max: 32767	Default: Set by MCEWizard

Scaling or Notation: See description

Description: This parameter specifies the time constant of the digital low-pass filter (LPF) for Hall frequency. The following pseudo code shows the LPF implementation in SW.

$$\begin{aligned}
 filter(n) &= filter(n - 1) + (input(n) - output(n - 1)) \cdot HallSpdFiltBW \\
 output(n) &= filter(n) \gg 16
 \end{aligned}$$

Since Hall frequency is updated every motor PWM cycle, the sampling frequency F_s is the same as the motor PWM frequency. The time constant of the LPF for Hall frequency can be calculated as follows.

$$T_{decay} = - \frac{1}{F_{PWM} \cdot \ln\left(1 - \frac{HallSpdFiltBW}{2^{16}}\right)}$$

3.2.5.6 HallTimeoutPeriod

Index	94		
Size	Unsigned 16 bit		
Parameter Type	DYNAMIC		
Range	Min: 0	Max: 32767	Default: Set by MCEWizard

Scaling or Notation: 1 = 10 ms

Description: This parameter specifies the Hall timeout fault detection time.

Register Description

3.2.5.7 HallAngle

Index	167		
Size	Signed 16 bit		
Variable Type	Read Only		
Range	Min: -32768	Max: 32767	Default: NA

Scaling or Notation: 90° = 16384

Description: This variable represents the rotor angle based on Hall sensors.

3.2.5.8 HallMotorSpeed

Index	168		
Size	Signed 16 bit		
Variable Type	Read Only		
Range	Min: -32768	Max: 32767	Default: NA

Scaling or Notation: 16383 = motor max. RPM

Description: This variable represents the motor speed based on Hall sensors.

3.2.5.9 PositionCounter

Index	175		
Size	Unsigned 16 bit		
Variable Type	Read Only		
Range	Min: 0	Max: 65535	Default: NA

Scaling or Notation: 6 = 1 electrical revolution

Description: This variable represents the lower 16 bit of the Hall position counter, which is updated during each Hall event.

3.2.5.10 PositionCounter_H

Index	176		
Size	Unsigned 16 bit		
Variable Type	Read Only		
Range	Min: 0	Max: 65535	Default: NA

Scaling or Notation: 1 = PositionCounter overflows from 65535

Description: This variable represents the higher 16 bit of the Hall position counter, which is updated during each Hall event.

Register Description

3.2.6 Flux Estimation PLL Register Group

3.2.6.1 Rs

Index	39		
Size	Unsigned 16 bit		
Parameter Type	STATIC		
Range	Min: 0	Max:65535	Default: 0

Scaling or Notation: See description.

Description: This parameter specifies the motor per phase equivalent (motor + cable) resistance at 25° C. The scaling between the actual motor resistances (Ohms) and this parameter depends on drive voltage and current scaling. The relationship between the actual resistance in ohms and Rs is formulated in MCEWizard.

3.2.6.2 L0

Index	40		
Size	Unsigned 16 bit		
Parameter Type	STATIC		
Range	Min: 0	Max:65535	Default: 0

Scaling or Notation: See description.

Description: This parameter specifies the apparent inductance of the motor and it is used by the flux estimator. It is proportional to:

$$\frac{Ld + Lq}{2}$$

Where Ld and Lq are the d and q axis motor inductance.

The scaling between the actual inductance in Henry and this parameter is formulated in MCEWizard.

3.2.6.3 LSIncy

Index	41		
Size	Unsigned 16 bit		
Parameter Type	STATIC		
Range	Min: 0	Max:65535	Default: 0

Scaling or Notation: See description.

Description: This parameter specifies the apparent saliency inductance of the motor. It is proportional to:

$$\frac{Lq - Ld}{2}$$

Where Ld and Lq are the d and q axis motor inductance. Typically, Lq/Ld ≈ 1 for Surface

PM motors and 1.2 < Lq/Ld < 2.5 for Interior Permanent Magnet motors.

The scaling between the actual inductance in Henry and this parameter is formulated in MCEWizard.

Register Description

3.2.6.4 VoltScl

Index	42		
Size	Unsigned 16 bit		
Parameter Type	STATIC		
Range	Min: 0	Max: 65535	Default: 0

Scaling or Notation: See description.

Description: This parameter defines the internal scaling factor between voltage and flux. The value of this parameter is calculated by MCEWizard from user input (PWM frequency, motor poles, DC bus scaling and back emf K_e).

3.2.6.5 PLLKp

Index	43		
Size	Unsigned 16 bit		
Parameter Type	DYNAMIC		
Range	Min: 0	Max:32767	Default: 0

Scaling or Notation: U0.16

Description: This parameter specifies the Angle Frequency Generator tracking proportional gain. The Angle Frequency Generator is mainly a phase lock loop (PLL). A larger value of PLLKp will increase tracking bandwidth at the expense of increasing speed or frequency ripple.

3.2.6.6 PLLKi

Index	44		
Size	Unsigned 16 bit		
Parameter Type	DYNAMIC		
Range	Min: 0	Max:32767	Default: 0

Scaling or Notation: U0.16

Description: This parameter specifies the Angle Frequency Generator tracking integral gain. The Angle Frequency Generator is mainly a phase lock loop (PLL). The Figure 53 shows both a simplified and the detailed PLL architecture. PLLKi relates internal PLL tracking error (q) to frequency (Rtr_Freq). A larger value of PLLKi will increase tracking bandwidth at the expense of increasing speed or frequency ripple.

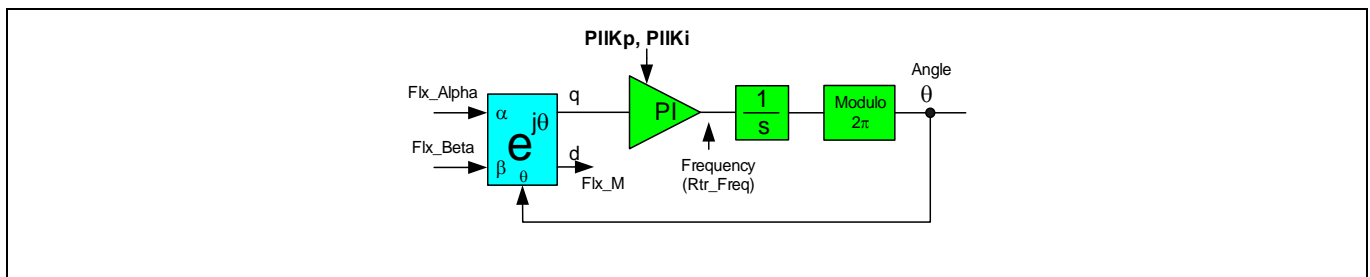


Figure 53 Simplified Block diagram of a FLUX PLL

Register Description

3.2.6.7 PLLFreqLim

Index	45		
Size	Unsigned 16 bit		
Parameter Type	DYNAMIC		
Range	Min: 0	Max: 65535	Default: 0

Scaling or Notation: See description

Description: This parameter specifies the frequency limit of the PLL integral gain output. The relationship between the actual frequency in Hz and this parameter is given by:

$$A = \frac{PLLFreqLim * PwmFreq}{8192}, \text{ in Hz}$$

where:

A - Actual frequency in Hz

PwmFreq - Inverter pwm frequency in Hz

3.2.6.8 FlxTau

Index	47		
Size	Unsigned 16 bit		
Parameter Type	STATIC		
Range	Min: 0	Max: 65535	Default: 0

Scaling or Notation: See description

Description: Motor flux is calculated by integration of estimated voltages. Pure (ideal) integrator cannot be used due to dc offset problem. The integration is done using non-ideal integrator (low pass filter) as shown in the Figure 54. The flux integration time constant (Tau) is an entry of the MCEWizard. Typical range of non-ideal integrator time constant is in the range of 0.01 to 0.025 sec.

This parameter provides the adjustment for the flux estimator bandwidth. FlxTau is inversely proportional to the “Flux estimator time constant” entered in MCEWizard. The relationship of the Flux estimator time constant and FlxTau is given by:

$$\text{Flux estimator time constant} = \frac{2^{18} \times T_{PWM}}{FlxTau} - T_{PWM}, \text{ in seconds}$$

where FlxTm - the Flux estimator time constant[S]

$$T_{PWM} = 1/(\text{PWM switching frequency}) [S]$$

This parameter is also used as low pass filter time constant for rotor frequency (Rtr_Freq, which is the output of flux PLL) as well as some internal filtering.

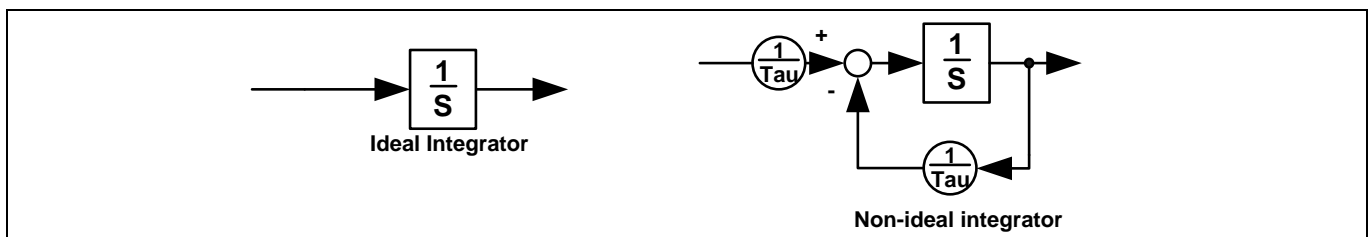


Figure 54 Ideal and Non-ideal Integrator

Register Description

3.2.6.9 AtanTau

Index	48		
Size	Unsigned 16 bit		
Parameter Type	DYNAMIC		
Range	Min: 0	Max:65535	Default: 0

Scaling or Notation: See description

Description: This parameter provides angle compensation (frequency dependent) for the phase shift introduced by flux integration time constant. Rotor frequency (Rtr_Freq) is multiplied by a time constant (AtanTau) to form a compensating angle. This angle represents the phase shift introduced by the non-ideal flux integrators (low pass filter). Pure (ideal) integrator cannot be used due to dc offset problem. The flux integration time constant is an entry of the MCEWizard. Typical range of integrator time constant is in the range of 0.01 to 0.025 sec.

3.2.6.10 AngMTPA

Index	46		
Size	Unsigned 16 bit		
Parameter Type	DYNAMIC		
Range	Min: 0	Max:65535	Default: 0

Scaling or Notation: 0°→+360° is represented as 0 to 65535

Description: This parameter defines the angle compensation for rotor angle calculation

3.2.6.11 SpdFiltBW

Index	52		
Size	Unsigned 16 bit		
Parameter Type	DYNAMIC		
Range	Min: 0	Max:16383	Default: 0

Scaling or Notation: U2.14, $\tau = \frac{16384}{SpdFiltBw}$, in T_{PWM}

Description: This parameter configures the low pass filter time constant for motor Speed. Please note that the input of motor speed calculation low pass filter is rotor frequency (Rtr_Freq), which has already been filtered by FreqBW.

3.2.6.12 SpeedScale

Index	50		
Size	Unsigned 16 bit		
Parameter Type	STATIC		
Range	Min: 0	Max: 65535	Default: 0

Scaling or Notation: See Description

Description: This parameter is the internal scaling factor between rotor frequency and motor speed.
The value of this parameter is calculated by MCEWizard tool from user input (PWM frequency, motor poles and motor maximum speed).

Register Description

3.2.6.13 MotorSpeed

Index	125		
Size	Signed 16 bit		
Variable Type	Read Only		
Range	Min: -32767	Max:32767	Default: 0

Scaling or Notation: 16383 = Motor Max RPM

Description: Filtered motor running speed. Filter timer constant is set by parameter SpdFiltBW. Its value will be reset to 0 when the control is not in RUN state.

3.2.6.14 FluxAngle

Index	138		
Size	Signed 16 bit		
Variable Type	Read Only		
Range	Min: -32768	Max:32767	Default: 0

Scaling or Notation: 90° = 16384

Description: This is the estimated rotor angle. It is used for the Field-Oriented control reference frame.

3.2.6.15 Flx_M

Index	139		
Size	Unsigned 16 bit		
Variable Type	Read only		
Range	Min: 0	Max:32767	Default: 0

Scaling or Notation: 2048 = 100% rated flux

Description: This variable represents the fundamental flux amplitude.

3.2.6.16 Abs_MotorSpeed

Index	140		
Size	Unsigned 16 bit		
Variable Type	Read Only		
Range	Min: 0	Max:32767	Default: 0

Scaling or Notation: 16383 = Motor Max RPM

Description: Absolute value of motor Speed.

3.2.6.17 OpenLoopAngle

Index	155		
Size	Signed 16 bit		
Variable Type	Read Write		
Range	Min: -32768	Max:32767	Default: 0

Scaling or Notation: 90° = 16384

Description: If Angle Select is set to 0, use this variable to specify the internal open loop angle.

Register Description

3.2.6.18 FluxMotorSpeed

Index	169		
Size	Signed 16 bit		
Variable Type	Read Only		
Range	Min: -32768	Max: 32767	Default: NA

Scaling or Notation: 16383 = motor max. RPM

Description: This variable represents the motor speed based on flux estimator.

3.2.7 FOC Register Group

3.2.7.1 IfbkScl

Index	54		
Size	Unsigned 16 bit		
Parameter Type	STATIC		
Range	Min: 0	Max:65535	Default: 0

Scaling or Notation: See description

Description: This parameter provides current gain such that 4095 digital counts of d-axis or q-axis current represents rated motor current. IfbkScl is calculated in MCEWizard and is a function of motor rated Amps and analog current scaling.

$$IfbkScl = \frac{4095 * 1024}{1.647 * AiBiScale * RatedMotorCurrent * \sqrt{2}}$$

Where :

RatedMotorCurrent is in rms Amps

$$AiBiScale = \frac{CurrentInput * InternalADCGain * 4095}{Vadcref} , in count/Amps$$

3.2.7.2 Kplreg

Index	55		
Size	Unsigned 16 bit		
Parameter Type	DYNAMIC		
Range	Min: 0	Max:32767	Default: 0

Scaling or Notation: U4.12

Description: This parameter specifies the proportional gain of the Q-axis current regulator. The value of this parameter is calculated by MCEWizard from user input (PWM frequency, motor phase inductance).

Register Description

3.2.7.3 KplregD

Index	56		
Size	Unsigned 16 bit		
Parameter Type	DYNAMIC		
Range	Min: 0	Max:32767	Default: 0

Scaling or Notation: U4.12

Description: This parameter specifies the proportional gain of the d-axis current regulator. The value of this parameter is calculated by MCEWizard from user input (PWM frequency, motor phase inductance, Bandwidth).

Register Description

3.2.7.4 Kxlreg

Index	57		
Size	Unsigned 16 bit		
Parameter Type	DYNAMIC		
Range	Min: 0	Max:32767	Default: 0

Scaling or Notation: U0.16

Description: This parameter specifies the integral gain of the d-axis and q-axis current regulator. The scaling depends on the current regulator execution rate which is directly related to the pwm frequency. The value of this parameter is calculated by MCEWizard from user input (PWM frequency, motor phase resistance, Bandwidth).

3.2.7.5 FwkVoltLvl

Index	58		
Size	Unsigned 16 bit		
Parameter Type	DYNAMIC		
Range	Min: 0	Max:PWMPeriod	Default:32

Scaling or Notation: PWMPeriod = 100% PWM duty cycle.

Description: This parameter specifies the modulation threshold to start field weakening. It must be set below PWMPeriod and it's also recommended to set this value below SVPWM linear range (PWMPeriod*0.95). Lower threshold gives more voltage margin which provides better control performance but it will enter field weakening mode earlier.
Where : PWMPeriod is $96,000,000 / (2 * \text{PWMFreq}[\text{Hz}])$

3.2.7.6 FwkKx

Index	59		
Size	Unsigned 16 bit		
Parameter Type	DYNAMIC		
Range	Min: 0	Max:16383	Default:32

Scaling or Notation: See description

Description: This parameter configures the gain of field weakening.

3.2.7.7 FwkCurRatio

Index	60		
Size	Unsigned 16 bit		
Parameter Type	DYNAMIC		
Range	Min: 0	Max:16383	Default:32

Scaling or Notation: $4096 = 100\% \text{ MotorLim}$.

Description: This parameter limits the $-I_d$ current for field weakening.

Register Description

3.2.7.8 VdqLim

Index	61		
Size	Unsigned 16 bit		
Parameter Type	DYNAMIC		
Range	Min: 0	Max:4974	Default:32

Scaling or Notation: 4974 = 100 [% modulation]

Description: This parameter specifies the current regulator output limit. 100% modulation corresponds to the maximum achievable value of the SVPWM. Please note 100% modulation exceeds SVPWM linear range and output will be over-modulated. If over modulation is not expected, maximum modulation should be limited below 86.6% (4974*86.6%=4307). The corresponding rms motor line to line voltage at 100% modulation is $V_{DC}/\sqrt{2}$.

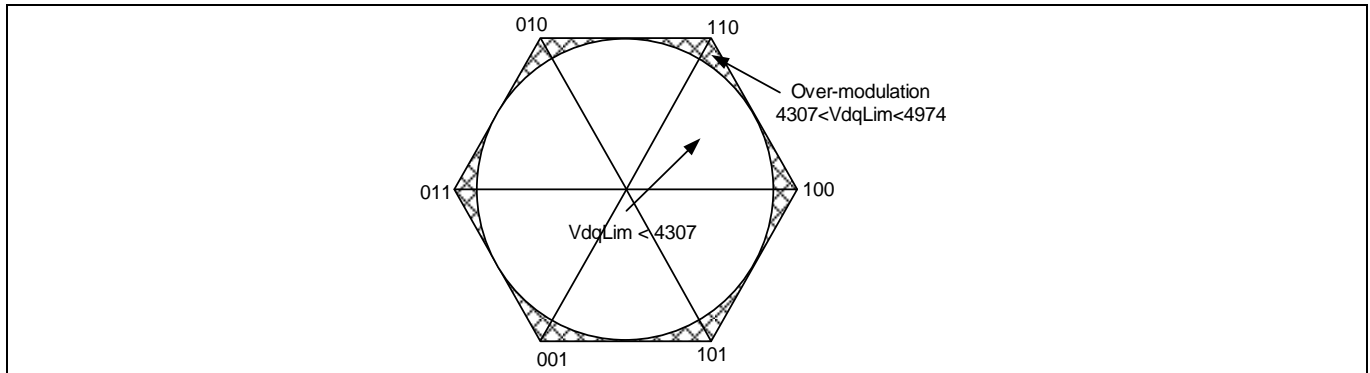


Figure 55 Over modulation

3.2.7.9 AngDel

Index	62		
Size	Unsigned 16 bit		
Parameter Type	DYNAMIC		
Range	Min: 0	Max:65535	Default: 0

Scaling or Notation: See Description

Description: This parameter provides gain adjustment for current angle advancement. The current angle advancement is added to a fixed defaulted phase (90 Deg) and the rotor angle to form the relative phasing of the current vector. Current angle advancement is required for Permanent Magnet motor with rotor saliency (Interior Permanent Magnet Motors). A value of zero represents zero angle advancement and therefore the current vector is placed at 90 degrees with respect to the rotor angle. Diagram below shows the implementation of the angle advancement function and the related controller parameters.

$$\text{Angle advancement} = \text{AngDel} \times 0.35156 \times \frac{I_Motor}{\text{Rated Motor Amps}}, \text{ in degree}$$

Register Description

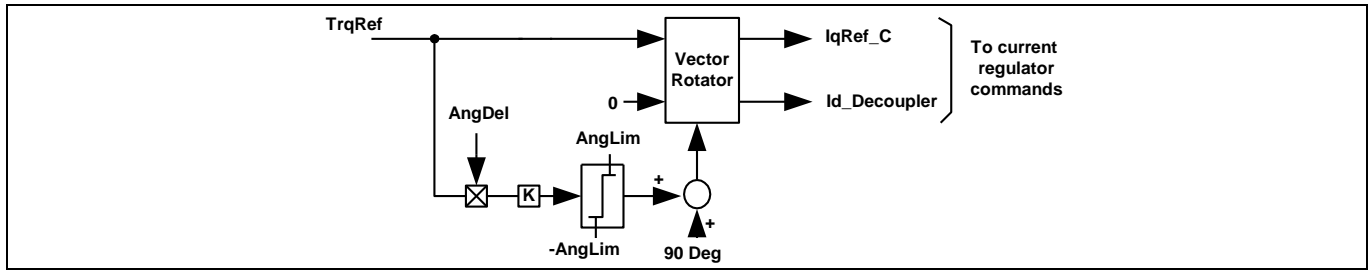


Figure 56 Angle Del

3.2.7.10 AngLim

Index	63		
Size	Unsigned 16 bit		
Parameter Type	DYNAMIC		
Range	Min: 0	Max:65535	Default: 0

Scaling or Notation: 1 = 0.17578 degree

Description: This parameter provides the maximum limit on the current angle phase advancement specified by parameter AngDel. (See also AngDel.)

3.2.7.11 IdqFiltBw

Index	64		
Size	Unsigned 16 bit		
Parameter Type	DYNAMIC		
Range	Min: 0	Max:16383	Default:4096

Scaling or Notation: U2.14; $\tau = \frac{16384}{IdqFiltBw}$, in T_{PWM}

Description: This parameter configures the low pass filter time constant for Id and Iq.

3.2.7.12 IdRef_Ext

Index	128		
Size	Signed 16 bit		
Variable Type	Read Write		
Range	Min: -16383	Max:16383	Default: 0

Scaling or Notation: 4095 = 100% motor rated RMS current

Description: This is the reference input of current regulator on D axis. In speed control mode, this variable has no influence. In current control mode, this variable is used as current input.

Register Description

3.2.7.13 IqRef_Ext

Index	129		
Size	Signed 16 bit		
Variable Type	Read Write		
Range	Min: -16383	Max:16383	Default: 0

Scaling or Notation: 4095 = 100% motor rated RMS current

Description: This is the reference input of current regulator on D axis. In speed control mode, this variable has no influence. In current control mode, this variable is used as current input.

3.2.7.14 IdFilt

Index	141		
Size	Signed 16 bit		
Variable Type	Read Only		
Range	Min: -16383	Max:16383	Default: 0

Scaling or Notation: 4096 = 100% motor rated RMS current

Description: Id current after low pass filter. LPF gain is set by IdqFiltBw parameter.

3.2.7.15 IqFilt

Index	142		
Size	Signed 16 bit		
Variable Type	Read only		
Range	Min: -16383	Max:16383	Default: 0

Scaling or Notation: 4096 = 100% motor rated RMS current

Description: Iq current after low pass filter. LPF gain is set by IdqFiltBw parameter.

3.2.7.16 IdFwk

Index	143		
Size	Unsigned 16 bit		
Variable Type	Read only		
Range	Min: -16383	Max:16383	Default: 0

Scaling or Notation: 4096 = 100% motor rated RMS current

Description: IdFwk represents the -Id current during field weakening.

3.2.7.17 Id

Index	149		
Size	Signed 16 bit		
Variable Type	Read Only		
Range	Min: -16383	Max:16383	Default: 0

Scaling or Notation: 4096 = 100% motor rated RMS current

Description: This variable holds the motor Id component current

Register Description

3.2.7.18 Iq

Index	150		
Size	Signed 16 bit		
Variable Type	Read only		
Range	Min: -16383	Max:16383	Default: 0

Scaling or Notation: 4096 = 100% motor rated RMS current

Description: This variable holds the motor Iq component current

3.2.7.19 MotorCurrent

Index	154		
Size	Signed 16 bit		
Variable Type	Read only		
Range	Min: -16383	Max:16383	Default: 0

Scaling or Notation: 4096 = 100% motor rated RMS current

Description: Motor current (IdqFilt) is actual motor phase RMS current. It is calculated as below:

$$IdqFilt = (\sqrt{Idfilt^2 + Iqfilt^2})$$

3.2.8 Measurement Register Group

3.2.8.1 Iu

Index	122		
Size	Signed 16 bit		
Variable Type	Read only		
Range	Min: -2047	Max:2047	Default: 0

Scaling or Notation: In ADC counts

Description: This variable provides reconstructed motor phase U current (offset eliminated and ADC compensated). This current is calculated from the DC bus link current feedback (single shunt configuration) or U phase shunt resistor (leg shunt configuration). It is samples on every PWM cycle.

3.2.8.2 Iv

Index	123		
Size	Signed 16 bit		
Variable Type	Read only		
Range	Min: -2047	Max:2047	Default: 0

Scaling or Notation: In ADC counts

Description: This variable provides reconstructed motor phase V current (offset eliminated and ADC compensated). This current is calculated from the DC bus link current feedback (single shunt configuration) or V phase shunt resistor (leg shunt configuration). It is samples on every PWM cycle.

Register Description

3.2.8.3 IW

Index	124		
Size	Signed 16 bit		
Variable Type	Read only		
Range	Min: -2047	Max:2047	Default: 0

Scaling or Notation: In ADC counts

Description: This variable provides reconstructed motor phase W current (offset eliminated and ADC compensated). This current is calculated from I_u and I_v by equation $I_w = -(I_u + I_v)$. Its value is updated on every PWM cycle.

3.2.8.4 I_Alpha

Index	126		
Size	Signed 16 bit		
Variable Type	Read only		
Range	Min: -2047	Max:2047	Default: 0

Scaling or Notation: In ADC counts

Description: This variable provides reconstructed motor alpha component current. Its value is updated on every PWM cycle.

3.2.8.5 I_Beta

Index	127		
Size	Signed 16 bit		
Variable Type	Read only		
Range	Min: -2047	Max:2047	Default: 0

Scaling or Notation: In ADC counts

Description: This variable provides reconstructed motor beta component current. Its value is updated on every PWM cycle.

3.2.8.6 VdcRaw

Index	136		
Size	Unsigned 16 bit		
Variable Type	Read only		
Range	Min: 0	Max:4095	Default: 0

Scaling or Notation: In ADC counts

Description: This variable provides the measured DC bus voltage value. This value is updated every PWM cycle.

Register Description

3.2.8.7 VdcFilt

Index	137		
Size	Unsigned 16 bit		
Variable Type	Read only		
Range	Min: 0	Max:4095	Default: 0
Scaling or Notation:	In ADC counts		
Description:	This variable provides the filtered DC bus voltage value.		

3.2.8.8 VTH

Index	144		
Size	Unsigned 16 bit		
Variable Type	Read only		
Range	Min: 0	Max:4095	Default: 0
Scaling or Notation:	In ADC counts		
Description:	This variable provides NTC temperature input value.		

Register Description

3.2.9 Protection Register Group

3.2.9.1 FaultEnable

Index	12		
Size	Unsigned 16 bit		
Parameter Type	DYNAMIC		
Range	Min: 0	Max:0xFFFF	Default: 0

Scaling or Notation: Bit field definitions are mentioned in description. For each bit, 0 – Ignore the associated fault; 1 – enable processing of the associated fault.

Description: This parameter specifies enable/disable of faults are mentioned below

- [1:0] Reserved, must be set to “0”
- [2] Enable DC bus overvoltage fault
- [3] Enable DC bus under voltage fault
- [4] Enable Flux PLL out of control fault
- [5] Reserved, must be set to “0”
- [6] Enable Over temperature fault
- [7] Enable rotor lock fault
- [8] Enable Phase loss fault
- [12:9] Reserved, must be set to “0”
- [13] Enable UART link break fault
- [14] Enable Hall timeout fault
- [15] Enable Hall invalid fault

When a fault is disabled (bit set to “0”), the fault condition is ignored and the motor keeps running. However, even when a fault is disabled, its occurrence is reported in the FaultFlags variable, until the condition that caused the fault disappears.

Note: Phase loss fault is only detected in “PARKING” state.

3.2.9.2 DcBusOvLevel

Index	13		
Size	Unsigned 16 bit		
Parameter Type	DYNAMIC		
Range	Min: 0	Max:4095	Default: 0

Scaling or Notation: In ADC counts.

Description: This parameter defines the dc bus over voltage trip level. A dc bus over voltage fault will be generated if dc bus voltage exceeds this threshold.

Register Description

3.2.9.3 DcBusLvLevel

Index	14		
Size	Unsigned 16 bit		
Parameter Type	DYNAMIC		
Range	Min: 0	Max:4095	Default: 0

Scaling or Notation: In ADC counts.

Description: This parameter defines the dc bus under voltage trip level. A dc bus under trip voltage fault will be generated if dc bus voltage falls below this threshold.

3.2.9.4 CriticalOvLevel

Index	15		
Size	Unsigned 16 bit		
Parameter Type	DYNAMIC		
Range	Min: 0	Max:4095	Default: 0

Scaling or Notation: In ADC counts.

Description: Detection level for Critical Overvoltage. If this threshold is exceeded, all low side switches are clamped (zero-vector-braking) to protect the drive and to brake the motor. The Zero-vector is held until fault is cleared.

3.2.9.5 RotorLockTime

Index	16		
Size	Unsigned 16 bit		
Parameter Type	DYNAMIC		
Range	Min: 0	Max:65535	Default:1000

Scaling or Notation: 1 = 0.01 Second

Description: User can change the value of this parameter to customize the rotor lock detect time (default = 10 seconds).

Please note if rotor lock detect time is configured too short, it may trigger the fault during acceleration or momentary high load condition.

3.2.9.6 PLL_OutSyncTime

Index	18		
Size	Unsigned 16 bit		
Parameter Type	DYNAMIC		
Range	Min: 0	Max: 65535	Default:800

Scaling or Notation: 1 = 0.01 Second

Description: User can change the value of this parameter to customize the PLL out of synchronous detect time (default = 8 seconds).

Register Description

3.2.9.7 GateKillFilterTime

Index	19		
Size	Unsigned 16 bit		
Parameter Type	STATIC		
Range	Min: 4	Max:960	Default:96

Scaling or Notation: 1 = 10.4167ns

Description: Persistence filter time for PWM gate kill input (in clock cycles)

3.2.9.8 CompRef

Index	20		
Size	Unsigned 16 bit		
Parameter Type	STATIC		
Range	Min: 0	Max:4095	Default: 0

Scaling or Notation: ADC count (4095 = V_{adcref})

Description: This parameter value is derived from current trip level and current input offset value.

$$CompRef = \frac{((iTripLevel \times CurrentScale) + Offset)}{Vadcref} * 4095$$

Example : iTripLevel = 2A, Current input scale 0.5V/A, Offset =0.55V, Vadcref =3.3V
CompRef value is 1924 counts

3.2.9.9 Tshutdown

Index	67		
Size	Unsigned 16 bit		
Parameter Type	DYNAMIC		
Range	Min: 0	Max:4095	Default: 0

Scaling or Notation: In ADC counts.

Description: This parameter defines the over-temperature shutdown threshold. If actual temperature input value is less than this threshold, trigger over temperature fault.

3.2.9.10 PhaseLossLevel

Index	74		
Size	Unsigned 16 bit		
Parameter Type	DYNAMIC		
Range	Min: 0	Max:4095	Default: 0

Scaling or Notation: In ADC counts.

Description: This parameter defines the low current threshold value for phase loss detection logic. If any of the phase current value is less than PhaseLossLevel value during end of parking state, trigger phase loss fault.

PhaseLossLevel default value is derived from minimum speed limit.

Register Description

3.2.9.11 SwFaults

Index	132		
Size	Unsigned 16 bit		
Variable Type	Read only		
Range	Min: 0	Max: 65535	Default: 0

Scaling or Notation: See description.

Description: This variable is derived from FaultFlags by the following bitwise logical operation:
 $SwFaults = FaultFlags \cdot FaultEnable$
 SwFaults is cleared by FaultClear. For bit field definition, refer to Faultflags.

3.2.9.12 FaultClear

Index	134		
Size	Unsigned 16 bit		
Variable Type	Read Write		
Range	Min: 0	Max:1	Default: 0

Scaling or Notation: See Description

Description: Writing 1 to this variable clears all faults. Once clear has been done, the variable will be cleared. If fault condition doesn't exist, fault clear will be successful and the drive will enter STOP state. If fault condition still exists, the drive will remain in fault state.

3.2.9.13 FaultRetryPeriod

Index	81		
Size	Unsigned 16 bit		
Parameter Type	DYNAMIC		
Range	Min: 0	Max:0xFFFF	Default:0x6403

Scaling or Notation: Bit field definitions are mentioned in description

Description: This parameter enables to restart the motor after fault condition when control input signal is from frequency, duty or VSP

[7:0] This field defines how many times restart MCE after fault condition. If value is 0, restart after fault is disabled. If value is 255, restart always after fault.

[15:8] This field defines waiting time to restart MCE after fault condition. This value is represented in 0.1 seconds. If value is 100, MCE restarted 10S after fault.

3.2.9.14 FaultClear

Index	134		
Size	Unsigned 16 bit		
Variable Type	Read Write		
Range	Min: 0	Max:1	Default: 0

Scaling or Notation: See Description

Description: Writing 1 to this variable clears all faults. Once clear has been done, the variable will be cleared. If fault condition doesn't exist, fault clear will be successful and the drive will enter STOP state. If fault condition still exists, the drive will remain in fault state.

Register Description

3.2.9.15 FaultFlags

Index	135		
Size	Unsigned 16 bit		
Variable Type	Read only		
Range	Min: 0	Max:0xFFFF	Default: 0

Scaling or Notation: Bit field definitions are mentioned in description

Description: This variable provides drive fault status. Most faults are handled by a fault handling routine operating at the PWM inverter switching frequency with the exception of Gate Kill faults. Gate Kill is handled within the Faults module and will instantly initiate inverter and regulator shutdown. The FaultFlags variable indicates currently pending fault conditions. The FaultClear variable is used to reset fault conditions. For all bit fields defined below, a value of 1 indicates that the corresponding fault condition has occurred.

- [0] Motor gatekill fault
- [1] DC bus Critical overvoltage fault
- [2] DC bus overvoltage fault
- [3] DC bus under voltage fault
- [4] Flux PLL out of control fault
- [5] Reserved
- [6] Over Temperature fault
- [7] Rotor lock fault
- [8] Phase Loss fault
- [9] Reserved
- [10] Execution fault (CPU load is more than 95%)
- [11] Reserved
- [12] Parameter load fault
- [13] UART link break fault
- [14] Hall time-out fault
- [15] Hall invalid fault

Note: DC bus critical overvoltage and Gatekill fault cannot be masked by FaultEnable.

Register Description

3.2.10 Start Control Register Group

3.2.10.1 BTS_Chargetime

Index	21		
Size	Unsigned 16 bit		
Parameter Type	DYNAMIC		
Range	Min: 0	Max:32767	Default: 150

Scaling or Notation: 1 = one PWM period

Description: User can change the value of this parameter to configure the boot strap capacitor charging time (default = 150 PWM period).

3.2.10.2 TCatchSpin

Index	22		
Size	Unsigned 16 bit		
Parameter Type	DYNAMIC		
Range	Min: 0	Max:65535	Default:1000

Scaling or Notation: 1 = 0.001 Second

Description: This parameter specifies the catch spin synchronization time duration before engaging motor start acceleration. During this period, the internal controller tries to sync rotor position with zero torque current reference.

3.2.10.3 DirectStartThr

Index	23		
Size	Unsigned 16 bit		
Parameter Type	DYNAMIC		
Range	Min: 0	Max:32767	Default:1000

Scaling or Notation: 16384 = Motor Max RPM

Description: At the end of catch spin state, this parameter is the absolute motor speed threshold that decides whether to go through Angle_Sensing + Parking + OpenLoop start or directly go to closed loop run state.
If DirectStartThr=0, after catch spin, it will directly go to closed loop run state.

3.2.10.4 ParkAngle

Index	25		
Size	Signed 16 bit		
Parameter Type	DYNAMIC		
Range	Min: -32768	Max:32767	Default:5461

Scaling or Notation: 90° = 16384

Description: This parameter configures the current angle during parking state. Reset value of parking angle is set to 5461 (30°) which is the center of sector 0.

Register Description

3.2.10.5 ParkTime

Index	24		
Size	Unsigned 16 bit		
Parameter Type	DYNAMIC		
Range	Min: 0	Max:65535	Default:1000

Scaling or Notation: 1 = 0.001 Second

Description: This parameter configures total parking time. During parking state, parking current increases linearly from 0 to low speed current limit.
If ParkTime=0, parking state will be skipped.

3.2.10.6 OpenLoopRamp

Index	26		
Size	Unsigned 16 bit		
Parameter Type	DYNAMIC		
Range	Min: 0	Max:32767	Default:1000

Scaling or Notation: See description.

Description: This parameter configures the open loop acceleration rate. During open loop state, motor current is regulated at low speed current limit; rotation speed accelerates linearly from 0 to MinSpd.

Total duration of open loop:

$$T_{OpenLoop} = \frac{MinSpd * 1024 * 10}{OpenLoopRamp}, \text{ in 1 millisecond}$$

If OpenLoopRamp=0, open loop state will be skipped

3.2.10.7 IS_Pulses

Index	27		
Size	Unsigned 16 bit		
Parameter Type	DYNAMIC		
Range	Min: 0	Max:1000	Default:14

Scaling or Notation: 1 = 1 sensing pulse under nominal DC bus voltage (DcBusVolts=2048)

Description: This parameter specifies the number of PWM cycles for each angle sensing pulse under nominal DC bus voltage. Actual number of PWM cycles is DC bus compensated in order to keep constant volt-second which in turns keep the same peak sensing current.

Inductor sensing measures the current of last 2 PWM cycles, if the parameter is configured at 1, only one PWM cycle will actually carry current. So it is advised to configure this parameter ≥ 2 .

Write 0 to this parameter disable the angle sensing feature.

Register Description

3.2.10.8 IS_Duty

Index	28		
Size	Unsigned 16 bit		
Parameter Type	DYNAMIC		
Range	Min: 0	Max:8191	Default:4095

Scaling or Notation: 8192 = 100% PWM duty cycle

Description: This parameter specifies the PWM duty cycle during ANGLE_SENSING. For better current sensing quality, in single shunt current sensing, duty cycle of angle sensing should not be too low otherwise active vector will be too short to sense the current. In leg shunt current sensing, duty cycle should not be too high otherwise there will not be enough time to sense the current during zero vector.

3.2.10.9 IS_IqInit

Index	29		
Size	Unsigned 16 bit		
Parameter Type	DYNAMIC		
Range	Min: 0	Max:8191	Default:14

Scaling or Notation: 4096 = 100% motor rated RMS current

Description: This parameter specifies the initial torque been applied after done ANGLE_SENSING stage and before entering MOTOR_RUN.
 Right after ANGLE_SENSING stage, the flux PLL has not locked to the rotor angle; it takes some time and also needs motor speed to be high enough. This means in the beginning of MOTOR_RUN state, flux PLL is not working properly and it relies on initial torque to accelerate the motor in order for the PLL to lock. To achieve reliable and smooth start, some tuning to flux estimator and flux PLL is required.

Register Description

3.2.11 Control Input Register Group

3.2.11.1 PGDeltaAngle

Index	53		
Size	Unsigned 16 bit		
Parameter Type	STATIC		
Range	Min: 0	Max: 65535	Default: 0

Scaling or Notation: 512 = 1 PG pulse every 360 electrical degree (every electrical cycle)

Description: This parameter configures the PG output.

$$PGDeltaAngle = 256 * \frac{Motor\ poles}{PPR}$$

Write 0 to PGDeltaAngle will disable the PG output.

PPR is expected PG Pulses Per Revolution. For example, 4 PPR for an 8 poles motor (1 pulse per electrical cycle), then: $PGDeltaAngle = 256 * \frac{8}{4} = 512$

PG output is updated every PWM cycle, so the maximum PG output frequency is $\frac{1}{2} F_{pwm}$.

The maximum value for PGDeltaAngle is 16383, which means 1 PG pulse take 32 electrical cycle ($16384/512=32$), on an 8 poles motor, the PG output will be 0.125PPR. If PGDeltaAngle is 2^n (2,4,8,16...8192,16384), PG pulse will be synchronized with rotor angle. For example, if PGDeltaAngle=512 for an 8 poles motor (4PPR). There are 4 PG pulses every 4 electrical cycles and the PG transition (high to low or low to high) will happen at 0 and 180 electrical degree.

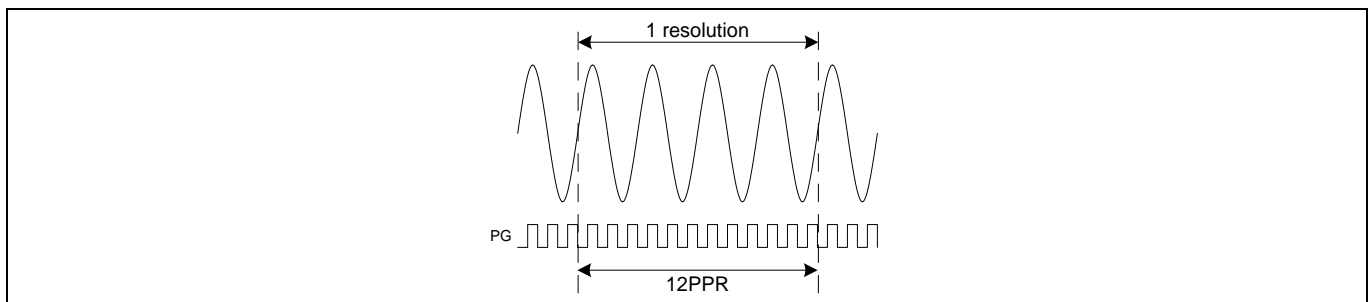


Figure 57 PG Output

3.2.11.2 CmdStart

Index	69		
Size	Unsigned 16 bit		
Parameter Type	STATIC		
Range	Min: 0	Max: 65535	Default: 0

Scaling or Notation: See description.

Description: In Vsp/Frequency/Duty Cycle input mode, this parameter specifies the input threshold for motor start.

Register Description

3.2.11.3 CmdStop

Index	68		
Size	Unsigned 16 bit		
Parameter Type	STATIC		
Range	Min: 0	Max: 65535	Default: 0

Scaling or Notation: See description.

Description: In Vsp/Frequency/Duty Cycle input mode, this parameter specifies the input threshold for motor stop.

3.2.11.4 CmdGain

Index	70		
Size	Unsigned 16 bit		
Parameter Type	STATIC		
Range	Min: 0	Max: 65535	Default: 0

Scaling or Notation: See description.

Description: In Vsp/Frequency/Duty Cycle input mode, this parameter specifies the slope between the input threshold for motor start and threshold for MaxRPM.

3.2.12 Voltage Control Register Group

3.2.12.1 Vd_Ext

Index	130		
Size	Unsigned 16 bit		
Variable Type	Read Write		
Range	Min: 0	Max:4974	Default: 0

Scaling or Notation: $Output\ duty\ cycle = \frac{Vd_Ext \times 2048}{4974 \times DcBusVoltsFilt} \times 100\%$

Description: Vd command when the drive is working in voltage control mode.

3.2.12.2 Vq_Ext

Index	131		
Size	Unsigned 16 bit		
Variable Type	Read Write		
Range	Min: 0	Max:4974	Default: 0

Scaling or Notation: $Output\ duty\ cycle = \frac{Vq_Ext \times 2048}{4974 \times DcBusVoltsFilt} \times 100\%$

Description: Vq command when the drive is working in voltage control mode.

Register Description

3.2.12.3 V_Alpha

Index	151		
Size	Signed 16 bit		
Variable Type	Read only		
Range	Min: -8191	Max:8191	Default: 0

Scaling or Notation: 8191 = 100%

Description: This variable provides Alpha motor phase voltage.

3.2.12.4 V_Beta

Index	152		
Size	Signed 16 bit		
Variable Type	Read only		
Range	Min: -8191	Max:8191	Default: 0

Scaling or Notation: 8191 = 100%

Description: This variable provides Beta motor phase voltage.

3.2.12.5 Vd

Index	156		
Size	Unsigned 16 bit		
Variable Type	Read only		
Range	Min: 0	Max:4974	Default: 0

Scaling or Notation: 4974 = 100%

Description: Motor Vd voltage component. This variable holds the value of Id PI output value in case of speed control or current control mode.

3.2.12.6 Vq

Index	157		
Size	Unsigned 16 bit		
Variable Type	Read only		
Range	Min: 0	Max:4974	Default: 0

Scaling or Notation: 4974 = 100%

Description: Motor Vq voltage component. This variable holds the value of Iq PI output value in case of speed control or current control mode.

3.2.12.7 MotorVoltage

Index	158		
Size	Unsigned 16 bit		
Variable Type	Read only		
Range	Min: 0	Max:4974	Default: 0

Scaling or Notation: 4974 = 100%

Description: This variable holds motor applied voltage. $Vdq = (\sqrt{Vd^2 + Vq^2})$

Register Description

3.2.13 Torque Compensation Register Group

3.2.13.1 TrqCompLim

Index	77		
Size	Unsigned 16 bit		
Parameter Type	DYNAMIC		
Range	Min: 0	Max:16383	Default:4095

Scaling or Notation: 4095 = 100% motor rated current

Description: This parameter specifies the maximum allowable torque compensation value

3.2.13.2 TrqCompOnSpeed

Index	78		
Size	Unsigned 16 bit		
Variable Type	DYNAMIC		
Range	Min: 0	Max:32767	Default: 0

Scaling or Notation: 16383 = Motor Max RPM

Description: This parameter set torque compensation ON speed threshold value. Torque compensation is active if actual motor speed value is less than this parameter value.

3.2.13.3 TrqCompOffSpeed

Index	79		
Size	Unsigned 16 bit		
Parameter Type	DYNAMIC		
Range	Min: 0	Max:32767	Default: 0

Scaling or Notation: 16383 = Motor Max RPM

Description: This parameter set torque compensation OFF speed threshold value. Torque compensation is disabled if actual motor speed value is greater than this parameter value.

Register Description

3.3 PFC Control Register (App ID =3)

Complete list of parameter and variables are listed in the Table 25 and Table 26 and find description in the following chapters.

Table 25 PFC Parameter list

App ID	Index	Parameter Name	Type	Description
3	1	PFC_HwConfig	STATIC	Application hardware configuration parameter
3	2	PFC_SysConfig	STATIC	System configuration parameter
3	3	PFC_PwmFreq	STATIC	PFC PWM frequency
3	4	PFC_TMinOff	DYNAMIC	Minimum PWM off time
3	5	PFC_Deadtime	STATIC	PWM dead time
3	6	PFC_SHDelay	DYNAMIC	Delay time from PWM output to ADC sample time
3	7	PFC_IRectLim	DYNAMIC	Rectifying current limit value
3	8	PFC_IGenLim	DYNAMIC	Generating current limit value
3	9	PFC_VdcRampRate	DYNAMIC	Voltage reference ramp up/down rate
3	10	PFC_KpVreg	DYNAMIC	Proportional gain of the voltage regulator
3	11	PFC_KxVreg	DYNAMIC	Integral gain of the voltage regulator
3	12	PFC_Kplreg	DYNAMIC	Proportional gain of the current regulator
3	13	PFC_Kxlreg	DYNAMIC	Integral gain of the current regulator
3	15	PFC_TrackingCycle	DYNAMIC	Used for voltage reference in tracking mode
3	16	PFC_TrackingGain	DYNAMIC	Used for voltage reference in tracking mode
3	17	PFC_HalfCycleMin	STATIC	AC voltage minimum limit for input frequency check
3	18	PFC_HalfCycleMax	STATIC	AC voltage maximum limit for input frequency check
3	19	PFC_VacZCThr	DYNAMIC	AC voltage threshold to detect zero crossing
3	20	PFC_VacOvLevel	DYNAMIC	AC voltage input overvoltage trip level
3	21	PFC_VacUvLevel	DYNAMIC	AC voltage input under voltage trip level
3	22	PFC_VdcOvLevel	DYNAMIC	DC bus overvoltage trip level
3	23	PFC_VdcUvLevel	DYNAMIC	DC bus under voltage trip level
3	24	PFC_AcDcScale	DYNAMIC	Ratio of feedforward component added to the duty output
3	25	PFC_LFactor	DYNAMIC	Used for average current calculation
3	26	PFC_FaultEnable	DYNAMIC	Enable or disable fault condition handling. When a fault bit is not set, the fault condition is ignored
3	27	PFC_GateKillTime	STATIC	Persistence filter time for PWM gate kill input
3	28	PFC_TargetDCVolt	STATIC	Target DC bus voltage for fixed-voltage mode

Register Description

Table 26 PFC Variable list

App ID	Index	Variable Name	Type	Description
3	81	PFC_SequencerState	READONLY	Current state
3	82	PFC_Command	READWRITE	Controls the system state - Stop/ start the PFC
3	85	PFC_FaultClear	READWRITE	Fault clear
3	87	PFC_SwFaults	READONLY	Fault status based on fault condition and fault mask
3	89	PFC_TargetVolt	READWRITE	Voltage set point value
3	90	PFC_VoltagePIoutput	READONLY	Voltage PI controller output value
3	92	PFC_VdcRaw	READONLY	DC bus voltage
3	93	PFC_IpfcRaw	READONLY	PFC Current
3	94	PFC_AbsVacRaw	READONLY	AC voltage absolute value
3	98	PFC_VacRMS	READONLY	AC voltage RMS value
3	99	PFC_VdcFilt	READONLY	DC bus filtered voltage
3	103	PFC_VacRaw	READONLY	AC voltage value
3	104	PFC_Fault Flag	READONLY	Fault status based on fault condition
3	105	PFC_IpfcAvg	READONLY	PFC current average value
3	106	PFC_IpfcRMS	READONLY	PFC current RMS value
3	107	PFC_ACPower	READONLY	PFC input power
3	110	PFC_CurrentPIoutput	READONLY	Current control PI output

Register Description

3.3.1 Control Register Group

3.3.1.1 PFC_HwConfig

Index	1		
Size	Unsigned 16 bit		
Parameter Type	STATIC		
Range	Min: 0	Max: 0xFFFF	Default: 0

Scaling or Notation: Bit field definitions are mentioned in description

Description: PFC application hardware configuration parameter

- [0] PFC Topology
 - 0- Boost Mode PFC
 - 1- Totem Pole PFC
- [4:1] Reserved
- [5] Active polarity for Low side PWM output
 - 0- Active level is low
 - 1- Active level is high
- [6] Active polarity for High side PWM output
 - 0- Active level is low
 - 1- Active level is high
- [8:7] Internal gain for current measurement
 - 0- Internal gain is 1
 - 1- Internal gain is 3
 - 2- Internal gain is 6
 - 3- Internal gain is 12
- [9] Current sensing polarity
 - 0- Non-Inverting
 - 1- Inverting
- [10] AC Voltage Sensing
 - 0- Single ended sensing (external op-amp required)
 - 1- Differential sensing (no op-amp, use two ADC channels)
- [15:11] Reserved

Register Description

3.3.1.2 PFC_SysConfig

Index	2		
Size	Unsigned 16 bit		
Parameter Type	STATIC		
Range	Min: 0	Max: 0xFFFF	Default: 0

Scaling or Notation: Bit field definitions are mentioned in description

Description: PFC system configuration parameter

- [3:0] Execution rate for current control loop.
 - 1- Current control loop executed every PWM period
 - 2- Current control loop executed every 2 PWM period
 - ...
 - 15 - Current control loop executed every 15 PWM period
- [4] Control mode selection
 - 0- Voltage Control Mode
 - 1- Tracking Control Mode
- [15:5] Reserved

3.3.1.3 PFC_SequencerState

Index	81		
Size	Unsigned 16 bit		
Variable Type	Read Only		
Range	Min: 0	Max: 5	Default: 0

Scaling or Notation: See description

Description: This variable contains the current sequence state of the drive

- 0- Power on state
- 1- Stop state
- 2- Measuring offset current
- 4- PFC running
- 5- Fault state

3.3.1.4 PFC_Command

Index	82		
Size	Unsigned 16 bit		
Variable Type	Read Write		
Range	Min: 0	Max: 1	Default: 0

Scaling or Notation: See description

Description: This variable controls the system state with the following values:

- 0- Stop the PFC
- 1- Start the PFC

Register Description

3.3.2 PWM Register Group

3.3.2.1 PFC_PwmFreq

Index	3		
Size	Unsigned 16 bit		
Parameter Type	STATIC		
Range	Min: 0	Max:1000	Default:6000

Scaling or Notation: 1 = 0.1 kHz F_{Pwm} ; 1600 = 16kHz F_{Pwm}

Description: This parameter configures the PWM frequency in 0.1 kHz increment.

3.3.2.2 PFC_TMinOff

Index	4		
Size	Unsigned 16 bit		
Parameter Type	DYNAMIC		
Range	Min: 0	Max:PWMPeriod	Default: 0

Scaling or Notation: 1 = 10.4167ns

Description This parameter configures minimum PWM off time.
Where : PWMPeriod is $96,000,000/(2 * PwmFreq[Hz])$

3.3.2.3 PFC_Deadtime

Index	5		
Size	Unsigned 16 bit		
Parameter Type	STATIC		
Range	Min: 0	Max: 255	Default: 0

Scaling or Notation: 1 = 10.4167ns

Description This parameter configures PWM dead time value. This parameter is reserved for future use and should be always written 0.

3.3.2.4 PFC_SHDelay

Index	6		
Size	Unsigned 16 bit		
Parameter Type	DYNAMIC		
Range	Min: 0	Max:960	Default: 0

Scaling or Notation: 1 = 10.4167ns

Description: SHDelay specifies the time delay from PWM output to ADC sample time for current sensing. The delay time is depending on the hardware design; usually it should consider propagation delay of gate driver circuit and turn on (turn off) delay of switching devices.

Register Description

3.3.3 Voltage Control Register Group

3.3.3.1 PFC_IRectLim

Index	7		
Size	Unsigned 16 bit		
Parameter Type	DYNAMIC		
Range	Min: 0	Max:4095	Default: 0

Scaling or Notation: 4095 = 100% maximum measureable current

Description: This parameter specifies the maximum voltage PI positive output value which means allowable PFC rectifying current. Rectifying current is the energy direction from AC to DC. This limit should be set higher than maximum possible PFC current considering load condition, lowest AC voltage as well as some margin. The goal is never entering current limit unless there is hardware issue.

3.3.3.2 PFC_IGenLim

Index	8		
Size	Unsigned 16 bit		
Parameter Type	DYNAMIC		
Range	Min: 0	Max:4095	Default: 0

Scaling or Notation: 4095 = 100% maximum measureable current

Description: This parameter specifies the maximum voltage PI negative output value which means allowable PFC generating current. Generating current is the energy direction from DC to AC. This parameter is reserved for future PFC release and not actually working in current PFC release. Set this parameter to 0, or set to a small value (<100).

3.3.3.3 PFC_VdcRampRate

Index	9		
Size	Unsigned 16 bit		
Parameter Type	DYNAMIC		
Range	Min: 0	Max:65535	Default: 0

Scaling or Notation: See description

Description: This parameter specifies the ramp rate of voltage reference.

$$VdcRampRate = \frac{PFC_VdcRampRate * 0.001 * VadcRef}{4095 * VdcVoltageDividerRatio * 2^{16}}, \text{ in } V/s$$

Where:

$$VdcVoltageDividerRatio = \frac{Vdc \text{ Sensing Low Resister}}{Vdc \text{ Sensing Low Resister} + Vdc \text{ Sensing High Resister}}$$

Register Description

3.3.3.4 PFC_KpVreg

Index	10		
Size	Unsigned 16 bit		
Parameter Type	DYNAMIC		
Range	Min: 0	Max:65535	Default: 0

Scaling or Notation: U4.12

Description: This parameter specifies the proportional gain of the voltage regulator

3.3.3.5 PFC_KxVreg

Index	11		
Size	Unsigned 16 bit		
Parameter Type	DYNAMIC		
Range	Min: 0	Max:65535	Default: 0

Scaling or Notation: U4.12

Description: This parameter specifies the integral gain of the voltage regulator

3.3.3.6 PFC_TargetDCVolt

Index	28		
Size	Unsigned 16 bit		
Variable Type	STATIC		
Range	Min: 0	Max:4095	Default: 0

Scaling or Notation: 4095 = Maximum measureable voltage

Description: This initial DC bus target voltage for fixed voltage mode. This parameter is copied to PFC_TargetVolt variable durint startup.

3.3.3.7 PFC_TargetVolt

Index	89		
Size	Unsigned 16 bit		
Variable Type	Read Write		
Range	Min: 0	Max:4095	Default: 0

Scaling or Notation: 4095 = Maximum measureable voltage

Description: This is the reference input of voltage regulator. In tracking mode, this variable has no influence.

$$TargetVolt = \frac{PFC_TargetVolt * VacRef * (Vdc\ Sensing\ High\ Resister + Vdc\ Sensing\ Low\ Resister)}{Vdc\ Sensing\ Low\ Resister * 4095}, V$$

Register Description

3.3.3.8 PFC_VoltagePloutput

Index	90		
Size	Unsigned 16 bit		
Variable Type	Read Only		
Range	Min: 0	Max:4095	Default: 0

Scaling or Notation: 4095 = 100% maximum measureable current

Description: Voltage regulator output value

3.3.4 Current Control Register Group

3.3.4.1 PFC_Kplreg

Index	12		
Size	Unsigned 16 bit		
Parameter Type	DYNAMIC		
Range	Min: 0	Max:65535	Default: 0

Scaling or Notation: U4.12

Description: This parameter specifies the proportional gain of the current regulator. Higher proportional gain improves PFC current waveform, but it may crease current oscillation if its value is too high, and/or AC voltage and PFC current sensing in PFC hardware has high noise.

3.3.4.2 PFC_Kxlreg

Index	13		
Size	Unsigned 16 bit		
Parameter Type	DYNAMIC		
Range	Min: 0	Max:65535	Default: 0

Scaling or Notation: U4.12

Description: This parameter specifies the integral gain of the current regulator

Register Description

3.3.4.3 PFC_AcDcScale

Index	24		
Size	Unsigned 16 bit		
Parameter Type	DYNAMIC		
Range	Min: 0	Max:65535	Default: 0

Scaling or Notation: See description

Description: This parameter defines the ratio of feedforward component added to the duty output and scaling between AC and DC voltage measurement.

$$PFC_{AcDcScale} = AcDcScaleAdjustent * \frac{(Vac\ Sensing\ High\ Resister + Vac\ Sensing\ Low\ Resister) * Vdc\ Sensing\ Low\ Resister * 2048}{Vac\ Sensing\ Low\ Resister * (Vdc\ Sensing\ High\ Resister + Vdc\ Sensing\ Low\ Resister)}$$

If high resistor and low resistor are the same value for AC voltage sensing and DC voltage sensing, PFC_AcDcScale=2048 represents 100% feedforward ratio. The ratio should be adjusted accordingly to achieve best PFC current waveform.

3.3.4.4 PFC_LFactor

Index	25		
Size	Unsigned 16 bit		
Parameter Type	DYNAMIC		
Range	Min: 0	Max:65535	Default: 0

Scaling or Notation: See description

Description: This parameter is used to calculate the average current as current measurement is done at every peak current period. Average current calculation helps improve the PFC current waveform. Although the MCEWizard create the value for this parameter, due to many factors which affect the actual result, it may still need to be fine-tuned to achieve best PFC current waveform.

3.3.4.5 PFC_CurrentPloutput

Index	110		
Size	Unsigned 16 bit		
Variable Type	Read Only		
Range	Min: 0	Max:PWM Period	Default: 0

Scaling or Notation: PWMPeriod= 100% duty cycle

Description: Sum of output from current regulator and feed forward output values
Where : PWMPeriod is $96,000,000 / (2 * PWMFreq[Hz])$

Register Description

3.3.5 Protection Register Group

3.3.5.1 PFC_GateKillTime

Index	19		
Size	Unsigned 16 bit		
Parameter Type	STATIC		
Range	Min: 0	Max:960	Default:48

Scaling or Notation: 1 = 10.4167ns

Description: Persistence filter time for PWM gate kill input (in clock cycles)

3.3.5.2 PFC_VacOvLevel

Index	20		
Size	Unsigned 16 bit		
Parameter Type	DYNAMIC		
Range	Min: 0	Max:4095	Default: 0

Scaling or Notation: In ADC counts.

Description: This parameter defines the AC over voltage trip level. AC over voltage fault will be generated if AC input voltage exceeds this threshold.

3.3.5.3 PFC_VacLvLevel

Index	21		
Size	Unsigned 16 bit		
Parameter Type	DYNAMIC		
Range	Min: 0	Max:4095	Default: 0

Scaling or Notation: In ADC counts.

Description: This parameter defines the AC under voltage trip level. AC bus under trip voltage fault will be generated if AC input voltage falls below this threshold.

3.3.5.4 PFC_VdcOvLevel

Index	22		
Size	Unsigned 16 bit		
Parameter Type	DYNAMIC		
Range	Min: 0	Max:4095	Default: 0

Scaling or Notation: In ADC counts.

Description: This parameter defines the dc bus over voltage trip level. A dc bus over voltage fault will be generated if dc bus voltage exceeds this threshold.

Register Description

3.3.5.5 PFC_VdcLvLevel

Index	23		
Size	Unsigned 16 bit		
Parameter Type	DYNAMIC		
Range	Min: 0	Max:4095	Default: 0

Scaling or Notation: In ADC counts.

Description: This parameter defines the dc bus under voltage trip level. A dc bus under trip voltage fault will be generated if dc bus voltage falls below this threshold.

3.3.5.6 PFC_FaultEnable

Index	26		
Size	Unsigned 16 bit		
Parameter Type	DYNAMIC		
Range	Min: 0	Max:0xFFFF	Default: 0

Scaling or Notation: Bit field definitions are mentioned in description. For each bit, 0 – Ignore the associated fault; 1 – enable processing of the associated fault.

Description: This parameter specifies enable/disable of faults are mentioned below

- [0] Reserved, must be set to “0”
- [1] Enable DC bus under voltage fault
- [2] Enable DC bus over voltage fault
- [3] Reserved, must be set to “0”
- [4] Enable AC under voltage fault
- [5] Enable AC over voltage fault
- [15:6] Reserved, must be set to “0”

When a fault is disabled (bit set to “0”), the fault condition is ignored and the motor keeps running. However, even when a fault is disabled, its occurrence is reported in the FaultFlags variable, until the condition that caused the fault disappears.

3.3.5.7 PFC_FaultClear

Index	85		
Size	Unsigned 16 bit		
Variable Type	Read Write		
Range	Min: 0	Max:1	Default: 0

Scaling or Notation: See Description

Description: Writing 1 to this variable clears all faults. Once clear has been done, the variable will be cleared. If fault condition doesn’t exist, fault clear will be successful and the drive will enter STOP state. If fault condition still exists, the drive will remain in fault state.

Register Description

3.3.5.8 PFC_SwFaults

Index	87		
Size	Unsigned 16 bit		
Variable Type	Read only		
Range	Min: 0	Max:255	Default: 0

Scaling or Notation: See description.

Description: This variable is derived from FaultFlags by the following bitwise logical operation:
 $PFC_SwFaults = PFC_FaultFlags \cdot PFC_FaultEnable$
 SwFaults is cleared by PFC_FaultClear. For bit field definition, refer to PFC_Faultflags.

3.3.5.9 PFC_FaultFlags

Index	104		
Size	Unsigned 16 bit		
Variable Type	Read only		
Range	Min: 0	Max:0xFFFF	Default: 0

Scaling or Notation: Bit field definitions are mentioned in description

Description: This variable provides drive fault status. Most faults are handled by a fault handling routine operating at the PWM inverter switching frequency with the exception of Gate Kill faults. Gate Kill is handled within the Faults module and will instantly initiate inverter and regulator shutdown. The FaultFlags variable indicates currently pending fault conditions. The FaultClear variable is used to reset fault conditions.
 For all bit fields defined below, a value of 1 indicates that the corresponding fault condition has occurred.

- [0] PFC gate kill fault
- [1] DC bus under voltage fault
- [2] DC bus over voltage fault
- [3] Vac frequency fault
- [4] Vac under voltage fault
- [5] Vac overvoltage fault
- [11:6] Reserved
- [12] Parameter load fault
- [15:13] Reserved

Gate kill fault and Vac Frequency fault cannot be masked by PFC_FaultEnable

Register Description

3.3.6 Measurement Register Group

3.3.6.1 PFC_VdcRaw

Index	92		
Size	Unsigned 16 bit		
Variable Type	Read only		
Range	Min: 0	Max:4095	Default: 0

Scaling or Notation: In ADC counts

Description: This variable provides the measured DC bus voltage value. This value is updated every PWM cycle.

3.3.6.2 PFC_VdcFilt

Index	99		
Size	Unsigned 16 bit		
Variable Type	Read only		
Range	Min: 0	Max:4095	Default: 0

Scaling or Notation: In ADC counts

Description: This variable provides the filtered DC bus voltage value.

3.3.6.3 PFC_IpfcRaw

Index	93		
Size	Unsigned 16 bit		
Variable Type	Read only		
Range	Min: 0	Max:4095	Default: 0

Scaling or Notation: In ADC counts

Description: This variable provides the Ipfc current raw value.

3.3.6.4 PFC_IpfcAvg

Index	105		
Size	Unsigned 16 bit		
Variable Type	Read only		
Range	Min: 0	Max:4095	Default: 0

Scaling or Notation: In ADC counts

Description: This variable provides the Ipfc average current value.

Register Description

3.3.6.5 PFC_IpfcRMS

Index	106		
Size	Unsigned 16 bit		
Variable Type	Read only		
Range	Min: 0	Max:4095	Default: 0

Scaling or Notation: In ADC counts

Description: This variable provides the Ipfc current RMS value.

3.3.6.6 PFC_VacRaw

Index	103		
Size	Unsigned 16 bit		
Variable Type	Read only		
Range	Min: 0	Max:4095	Default: 0

Scaling or Notation: In ADC counts

Description: This variable provides the Vac raw voltage value.

3.3.6.7 PFC_AbsVacRaw

Index	94		
Size	Unsigned 16 bit		
Variable Type	Read only		
Range	Min: 0	Max:4095	Default: 0

Scaling or Notation: In ADC counts

Description: This variable provides the Vac absolute voltage value.

3.3.6.8 PFC_VacRMS

Index	98		
Size	Unsigned 16 bit		
Variable Type	Read only		
Range	Min: 0	Max:4095	Default: 0

Scaling or Notation: In ADC counts

Description: This variable provides the Vac RPMS voltage value.

3.3.6.9 PFC_ACPower

Index	107		
Size	Unsigned 16 bit		
Variable Type	Read only		
Range	Min: 0	Max:65535	Default: 0

Scaling or Notation: In ADC counts

Description: This variable provides the AC input power value.

Register Description

3.4 Script Register (App ID =0)

Complete list of variables are listed in the Table 27 and find description in the following chapters.

Table 27 Script Variable list

App ID	Index	Variable Name	Type	Description
0	128	Script_UserVersion	Read Only	Holds script user version configured in script input file
0	129	Script_Command	Read Write	Controls the script state – Stop or start
0	226	ADC_Result0	READONLY	Holds AIN0 analog input value (12 bit value)
0	227	ADC_Result1	READONLY	Holds AIN1 analog input value (12 bit value)
0	228	ADC_Result2	READONLY	Holds AIN2 analog input value (12 bit value)
0	229	ADC_Result3	READONLY	Holds AIN3 analog input value (12 bit value)
0	230	ADC_Result4	READONLY	Holds AIN4 analog input value (12 bit value)
0	231	ADC_Result5	READONLY	Holds AIN5 analog input value (12 bit value)
0	232	ADC_Result6	READONLY	Holds AIN6 analog input value (12 bit value)
0	233	ADC_Result7	READONLY	Holds AIN7 analog input value (12 bit value)
0	234	ADC_Result8	READONLY	Holds AIN8 analog input value (12 bit value)
0	235	ADC_Result9	READONLY	Holds AIN9 analog input value (12 bit value)
0	236	ADC_Result10	READONLY	Holds AIN10 analog input value (12 bit value)
0	237	ADC_Result11	READONLY	Holds AIN11 analog input value (12 bit value)
0	238	GPIO_IN_L	READONLY	Holds digital input/output (GPIO0 to GPIO15) pins values.
0	239	GPIO_IN_H	READONLY	Holds digital input/output (GPIO16 to GPIO29) pins values.
0	240	GPIO_OUT_L	READWRITE	Set or reset digital output pin (GPIO0 to GPIO15)
0	241	GPIO_OUT_H	READWRITE	Set or reset digital output pin (GPIO16 to GPIO29)

3.4.1 Script_UserVersion

Index	128		
Size	Unsigned 16 bit		
Variable Type	Read Only		
Range	Min: 0	Max:0xFFFF	Default: 0

Scaling or Notation: Bit field defined

Description: Script user version scheme – 8:8 Bit Coding. This variable only can be read from MCEDesigner or User UART interface.

[7:0] Minor version

[15:8] Major version

Register Description

3.4.2 Script_Command

Index	128		
Size	Unsigned 16 bit		
Variable Type	Read Write		
Range	Min: 0	Max:3	Default: 3

Scaling or Notation: See description

Description: This variable controls the system state with the following values:
 0x00 : Stop Task0 and Task1 script function
 0x01 : Start Task0 script function and stop Task1 script function
 0x02 : Stop Task0 script function and start Task1 script function
 0x03 : Start Task0 and Task1 script function

3.4.3 ADC_Resultx [x: 0 to 11]

Index	226 – 237		
Size	Unsigned 16 bit		
Variable Type	Read Only		
Range	Min: 0	Max:0xFFF	Default: 0

Scaling or Notation: In ADC counts, $\text{InputVoltage}[v] = \text{ADC_Result} * \text{VDD}[v] / 0xFFF$

Description: These variable holds the configured user ADC pin value. These variables value are read by MCE every 10mS

Register Description

3.4.4 GPIO_IN_L

Index	238		
Size	Unsigned 16 bit		
Parameter Type	Read Only		
Range	Min: 0	Max: 0xFFFF	Default: 0

Scaling or notation: Bitfield

Description: This variable holds the configured user GPIO value. This variable value are read by MCE every 10mS

- [0] Holds GPIO0 pin value, 0- input is low, 1- input is high
- [1] Holds GPIO1 pin value, 0- input is low, 1- input is high
- [2] Holds GPIO2 pin value, 0- input is low, 1- input is high
- [3] Holds GPIO3 pin value, 0- input is low, 1- input is high
- [4] Holds GPIO4 pin value, 0- input is low, 1- input is high
- [5] Holds GPIO5 pin value, 0- input is low, 1- input is high
- [6] Holds GPIO6 pin value, 0- input is low, 1- input is high
- [7] Holds GPIO7 pin value, 0- input is low, 1- input is high
- [8] Holds GPIO8 pin value, 0- input is low, 1- input is high
- [9] Holds GPIO9 pin value, 0- input is low, 1- input is high
- [10] Holds GPIO10 pin value, 0- input is low, 1- input is high
- [11] Holds GPIO11 pin value, 0- input is low, 1- input is high
- [12] Holds GPIO12 pin value, 0- input is low, 1- input is high
- [13] Holds GPIO13 pin value, 0- input is low, 1- input is high
- [14] Holds GPIO14 pin value, 0- input is low, 1- input is high
- [15] Holds GPIO15 pin value, 0- input is low, 1- input is high

Register Description

3.4.5 GPIO_IN_H

Index	239		
Size	Unsigned 16 bit		
Parameter Type	Read Only		
Range	Min: 0	Max: 0x3FFF	Default:0

Scaling or notation: Bitfield

Description: This variable holds the configured user GPIO value. This variable value are read by MCE every 10mS

[0]	Holds GPIO16 pin value, 0- input is low, 1- input is high
[1]	Holds GPIO17 pin value, 0- input is low, 1- input is high
[2]	Holds GPIO18 pin value, 0- input is low, 1- input is high
[3]	Holds GPIO19 pin value, 0- input is low, 1- input is high
[4]	Holds GPIO20 pin value, 0- input is low, 1- input is high
[5]	Holds GPIO21 pin value, 0- input is low, 1- input is high
[6]	Holds GPIO22 pin value, 0- input is low, 1- input is high
[7]	Holds GPIO23 pin value, 0- input is low, 1- input is high
[8]	Holds GPIO24 pin value, 0- input is low, 1- input is high
[9]	Holds GPIO25 pin value, 0- input is low, 1- input is high
[10]	Holds GPIO26 pin value, 0- input is low, 1- input is high
[11]	Holds GPIO27 pin value, 0- input is low, 1- input is high
[12]	Holds GPIO28 pin value, 0- input is low, 1- input is high
[13]	Holds GPIO29 pin value, 0- input is low, 1- input is high
[15:14]	Reserved

Register Description

3.4.6 GPIO_OUT_L

Index	240		
Size	Unsigned 16 bit		
Parameter Type	Read Write		
Range	Min: 0	Max :0xFFFF	Default: 0

Scaling or Notation: Bitfield

Description: This variable holds the configured user GPIO value. This variable value are read by MCE every 10mS

- [0] Set or Rest GPIO0 pin, 0- Resese(low), 1- Set(High)
- [1] Set or Rest GPIO1 pin, 0- Resese(low), 1- Set(High)
- [2] Set or Rest GPIO2 pin, 0- Resese(low), 1- Set(High)
- [3] Set or Rest GPIO3 pin, 0- Resese(low), 1- Set(High)
- [4] Set or Rest GPIO4 pin, 0- Resese(low), 1- Set(High)
- [5] Set or Rest GPIO5 pin, 0- Resese(low), 1- Set(High)
- [6] Set or Rest GPIO6 pin, 0- Resese(low), 1- Set(High)
- [7] Set or Rest GPIO7 pin, 0- Resese(low), 1- Set(High)
- [8] Set or Rest GPIO8 pin, 0- Resese(low), 1- Set(High)
- [9] Set or Rest GPIO9 pin, 0- Resese(low), 1- Set(High)
- [10] Set or Rest GPIO10 pin, 0- Resese(low), 1- Set(High)
- [11] Set or Rest GPIO11 pin, 0- Resese(low), 1- Set(High)
- [12] Set or Rest GPIO12 pin, 0- Resese(low), 1- Set(High)
- [13] Set or Rest GPIO13 pin, 0- Resese(low), 1- Set(High)
- [14] Set or Rest GPIO14 pin, 0- Resese(low), 1- Set(High)
- [15] Set or Rest GPIO15 pin, 0- Resese(low), 1- Set(High)

Register Description

3.4.7 GPIO_OUT_H

Index	241		
Size	Unsigned 16 bit		
Parameter Type	Read Write		
Range	Min: 0	Max: 0x3FFF	Default:0

Scaling or Notation: Bitfield

Description: This variable holds the configured user GPIO value. This variable value are read by MCE every 10mS

- [0] Set or Rest GPIO16 pin, 0- Resese(low), 1- Set(High)
- [1] Set or Rest GPIO17 pin, 0- Resese(low), 1- Set(High)
- [2] Set or Rest GPIO18 pin, 0- Resese(low), 1- Set(High)
- [3] Set or Rest GPIO19 pin, 0- Resese(low), 1- Set(High)
- [4] Set or Rest GPIO20 pin, 0- Resese(low), 1- Set(High)
- [5] Set or Rest GPIO21 pin, 0- Resese(low), 1- Set(High)
- [6] Set or Rest GPIO22 pin, 0- Resese(low), 1- Set(High)
- [7] Set or Rest GPIO23 pin, 0- Resese(low), 1- Set(High)
- [8] Set or Rest GPIO24 pin, 0- Resese(low), 1- Set(High)
- [9] Set or Rest GPIO25 pin, 0- Resese(low), 1- Set(High)
- [10] Set or Rest GPIO26 pin, 0- Resese(low), 1- Set(High)
- [11] Set or Rest GPIO27 pin, 0- Resese(low), 1- Set(High)
- [12] Set or Rest GPIO28 pin, 0- Resese(low), 1- Set(High)
- [13] Set or Rest GPIO29 pin, 0- Resese(low), 1- Set(High)
- [15:14] Reserved

4 Motor Tuning

MCEWizard calculates hardware parameters, motor parameters, control parameters/features, protection parameters/features as well as features for the complete system based on configuration input. This is the first step that users need to do before running a motor.

Correct motor parameter is important for sensorless FOC to be able to run the motor in steady state. MCE uses improved flux based sensorless algorithm which makes it much easier to start a motor. Although the motor can start, depends on application requirement, motor startup and dynamic performance may still need to be tuned in real load condition.

Below are some common problems and basic tuning technics when using the software:

4.1 How to check if the current sensing is good

It's better to run the motor without load, start the motor and set to a speed that motor can run smoothly. Use oscilloscope to measure motor RMS current. In MCEDesigner, output current display usually is slightly higher than measured motor current due to sensing noise, the difference should be small and close to measured motor current as much as possible.

If current sensing noise is not good, here list the possible causes:

- Bad PCB layout
- Power devices switch too fast which cause too much noise
- Current sensing parameters don't match the hardware, related parameters:
 1. Deadtime
 2. PwmGuandBand (leg shunt only)
 3. TCntMin (single shunt only)
 4. SHDelay
 5. TMinPhaseShift (single shunt only)

In single shunt configuration, phase shift PWM provides better control performance. TMinPhaseShift and SHDelay are two key parameters to achieve good single shunt current sensing in phase shift PWM mode

To achieve good single shunt current sensing signal, TMinPhaseShift and SHDelay should be configured following below guideline:

$$TMinPhaseShift > Dead\ time + Ringing$$

$$SHDelay < Hardware\ delay\ time$$

$$TMinPhaseShift + SHDelay > Hardware\ delay\ time + Dead\ time + Ringing$$

Please note that TMinPhaseShift may cause acoustic noise so that it should be set to a value as small as possible.

Motor Tuning

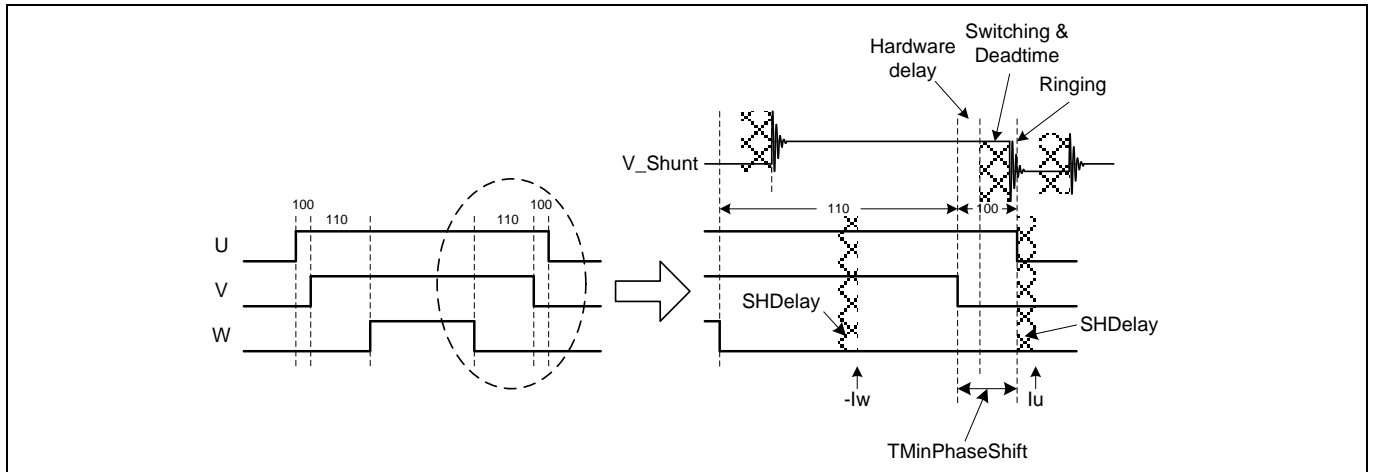


Figure 58 Single Shunt Current Sensing for Phase Shift PWM

There are three timings: Dead time, hardware delay time and ringing time. Dead time is already known since we set it in MCEWizard. What we need to measure on the hardware board is hardware delay time and ringing time.

Example of setting proper TMinPhaseShift and SHDelay:

Below is an example showing how to measure the hardware and fine tune these two parameters.

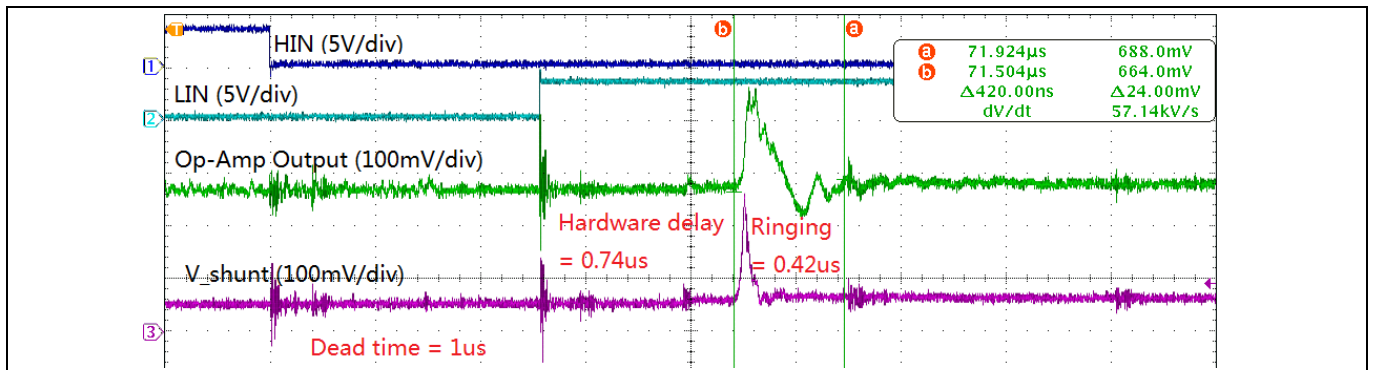


Figure 59 Measuring hardware delay and ringing time

$$T_{MinPhaseShift} > 1\mu s + 0.42\mu s = 1.42\mu s$$

$$SHDelay < 0.74\mu s$$

$$T_{MinPhaseShift} + SHDelay > 0.74\mu s + 1\mu s + 0.42\mu s = 2.16\mu s$$

We can easily configure TMinPhaseShift=2.2µs and SHDelay=0 to meet above criteria. But the optimum value should with minimum TMinPhaseShift value to minimize acoustic noise cause by phase shift PWM. The optimum value should be:

$$T_{MinPhaseShift} = 1.6\mu s$$

$$SHDelay = 0.6\mu s$$

4.2 Current regulator tuning

The MCE current controller utilizes field-oriented, synchronously rotating reference frame type regulators. Field-orientation provides significant simplification to the control dynamics of the current loop. There are two current regulators (one for the d-channel and one for the q-channel) employed for current regulation. The q-channel (torque) control structure is identical to the d-channel (flux). The current control dynamics of the d-channel is depicted in Figure 60. The motor windings can be represented by a first order lag with a time constant = L/R. This time constant is a function of the motor inductance and equivalent resistance (R = cable +

Motor Tuning

winding). For a surface mounted permanent magnet motor, the d and q channel inductances are almost equal. In the case of an interior permanent magnet (IPM) motor, the q-channel inductance is normally higher than the d-channel inductance.

In the current control continuous time domain model Figure 60, the forward gain A models the conversion of the digital controller output to voltage (including inverter gain) and the feedback gain B models the transformation of the current feedback (Amps) to internal digital counts via an A/D converter. The calculation of the PI compensator gains (K_{Ireg} , $K_{P_{Ireg_D}}$) is done by using a pole-zero cancellation technique as illustrated in Figure 60, where the current controller is rearranged to give transfer function block C(s). Setting $K_{P_{Ireg_D}} / K_{Ireg}$ of C(s) equal to the time constant of the motor ($\tau = L/R$), the controller zero will cancel the motor pole (pole-zero cancellation). Therefore, the model of the controller dynamics can be further simplified as shown in Figure 62. The equivalent transfer function of Figure 62 is a first order lag with time constant τ_c . By selecting an appropriate current regulator response (typically 1 to 5 msec) for a particular application, the current regulator gains can be readily obtained. It may be noticed that using the pole zero cancellation technique, the motor inductance enters into proportional gain calculations and the resistance enters into integral gain calculations.

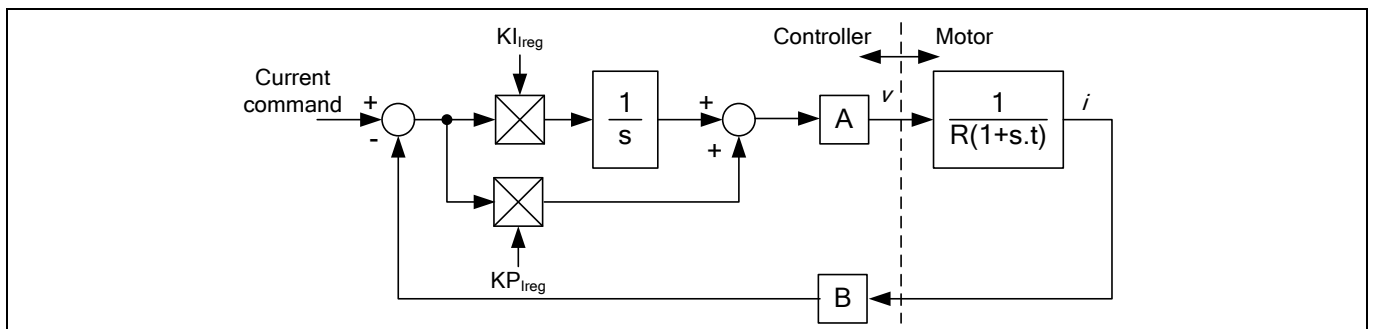


Figure 60 Current controller dynamics

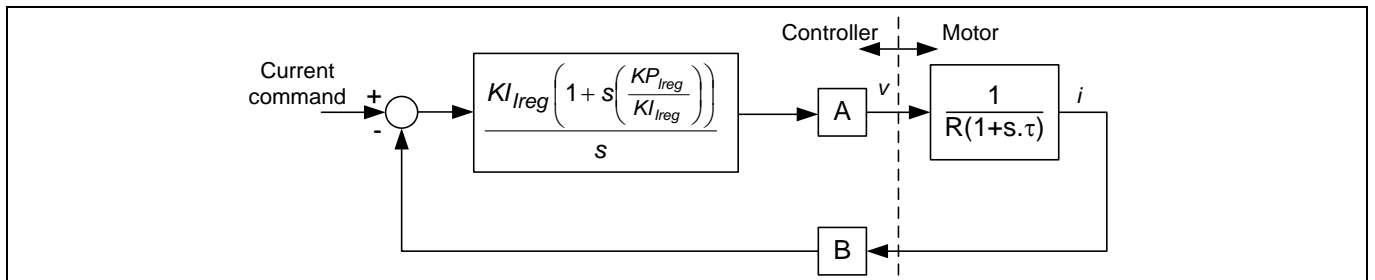


Figure 61 Pole zero cancellation

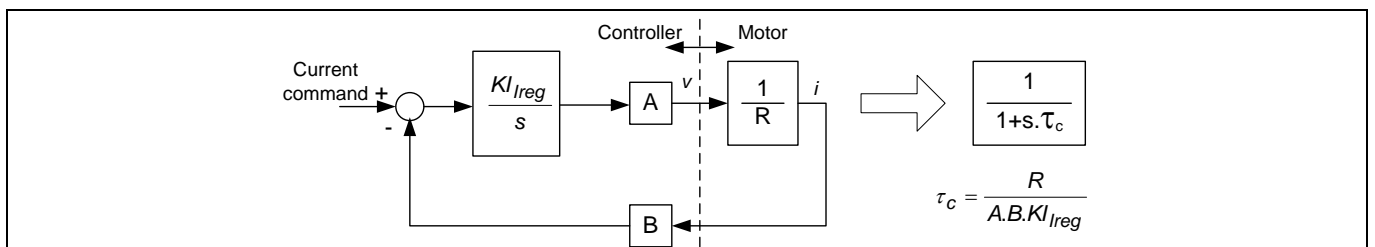


Figure 62 Simplified current control dynamics due to pole zero cancellation

Based on the pole-zero cancellation technique the controller gains in the continuous time domain model are evaluated by:

$$K_{P_{Ireg}} = \frac{L_q \cdot \text{CurrentRegBW}}{A \cdot B}$$

Motor Tuning

$$KI_{Ireg} = \frac{R \cdot CurrentRegBW}{A \cdot B}$$

Where A and B are the voltage and current scaling.

In the digital controller implementation, the integrator is a digital accumulator and so the discrete time domain model for the PI compensator must be used for the integrator. In this case the digital integrator gain, Kx_{Ireg} , includes a scaling factor for the compensator sampling time.

$$Kx_{Ireg} = KI_{Ireg} \cdot T$$

T is the controller sampling time, which in this case is equal to the PWM period.

The voltage scaling, A, must account for gains in the forward rotation and the space vector modulator. The three phase inverter produces a peak line voltage equal to the dc bus voltage V_{dc} , so at 100% modulation the rms phase voltage is $V_{dc}/\sqrt{2}/\sqrt{3}$. The modulator produces 100% modulation for a digital input of 8192 while the forward rotation function has a gain of 1.64676. Therefore, the current loop voltage scaling A is given by this equation:

$$A = \frac{V_{dc}/\sqrt{6}}{8192/1.64676} \text{ (in } V_{rms}/cts)$$

The current loop feedback scaling, B, is defined by the shunt resistor, the amplifier gain, the A/D converter gain and the current feedback scaling parameter, I_{fbkScl} . However, MCEWizard calculates I_{fbkScl} so that a count of 4096 is equivalent to the motor rated rms current. Therefore, the current loop feedback scaling is simply given by:

$$B = \frac{4096}{I_{RATED}} \text{ (in } cts/A_{rms})$$

The controller gains calculated for the current loop typically yield numbers that are less than one and so the current loop PI regulators include post multiplication scaling on the Kp and Kx inputs to increase the precision of the regulator gains. The multiplier on the Kp input is followed by a shift of 14 bits while the regulator on the Kx input is shifted by 19 bits. Therefore, the control gains calculated for this digital implementation are given by:

$$Kp_{Ireg} = \frac{L_q \cdot CurrentRegBW \cdot 2^{14}}{A \cdot B}$$

$$Kx_{Ireg} = \frac{R \cdot CurrentRegBW \cdot T \cdot 2^{19}}{A \cdot B}$$

Current regulator step response can be measured by using current control mode. Follow below steps to put the control into current control mode for current regulator step response diagnostic:

Step 1 – park the rotor to 0°:

- a. Connect the motor and measure U phase current from oscilloscope.
- b. AngleSelect = 0, disconnect flux rotor angle and use internal open loop angle.
- c. CtrlModeSelect = 1, this is set to current control mode and disable the speed regulator.
- d. TargetSpeed = 0, set open loop angle rotating speed to 0, thus angle will remain 0 during the test.
- e. IdRef = 1024, apply 25% rated current to D axis.
- f. Command = 1, start the drive, the control will regulate the current at 0° and the rotor will be aligned at 0°. The current is flowing out from U phase and flow into V and W phase.

We want to measure the step response without rotor movement. Step 1 is to park the rotor to certain angle so that the following steps will not cause any rotor movement. If the load inertia is high (such as fan blade), rotor will oscillate around parking angle and it may take long time to stop oscillating. If possible, use hand to stop oscillation and help it park at 0°.

Motor Tuning

Step 2 – apply initial 10% Id current:

- a. IdRef = 410, apply 10% rated current to D axis.

Motor Tuning

Step 3 – apply 50% I_d current:

- a. $I_{dRef} = 2048$, step change I_d reference to 50%.

This is the step response we want to observe. Capture the U phase current waveform by using oscilloscope.

Step 4 – Stop the drive and recover the control to sensorless speed control mode:

- a. Command = 0, stop the drive.
- b. AngleSelect = 2, use flux rotor angle.
- c. CtrlModeSelect = 2, set to speed mode.

Figure 63 shows measured step response with different current regulator bandwidth settings. Step response time constant is defined as the time duration from current start to rise until it reaches 63.2% ($1 - 1/e$) of final current (not including over shooting).

At lower current regulator bandwidth, actual step response time constant is quite close to theoretical value (9.88ms vs 10ms, 4.84ms vs 5ms, 2.4ms vs 2.5ms). At high current regulator bandwidth, actual time constant becomes much smaller than theoretical value (1.02ms vs 1.25ms, 0.428ms vs 0.625ms) and over-shoot start to appear. To achieve better step response performance, it is recommended to reduce Kx_{Ireg} for high current regulator bandwidth.

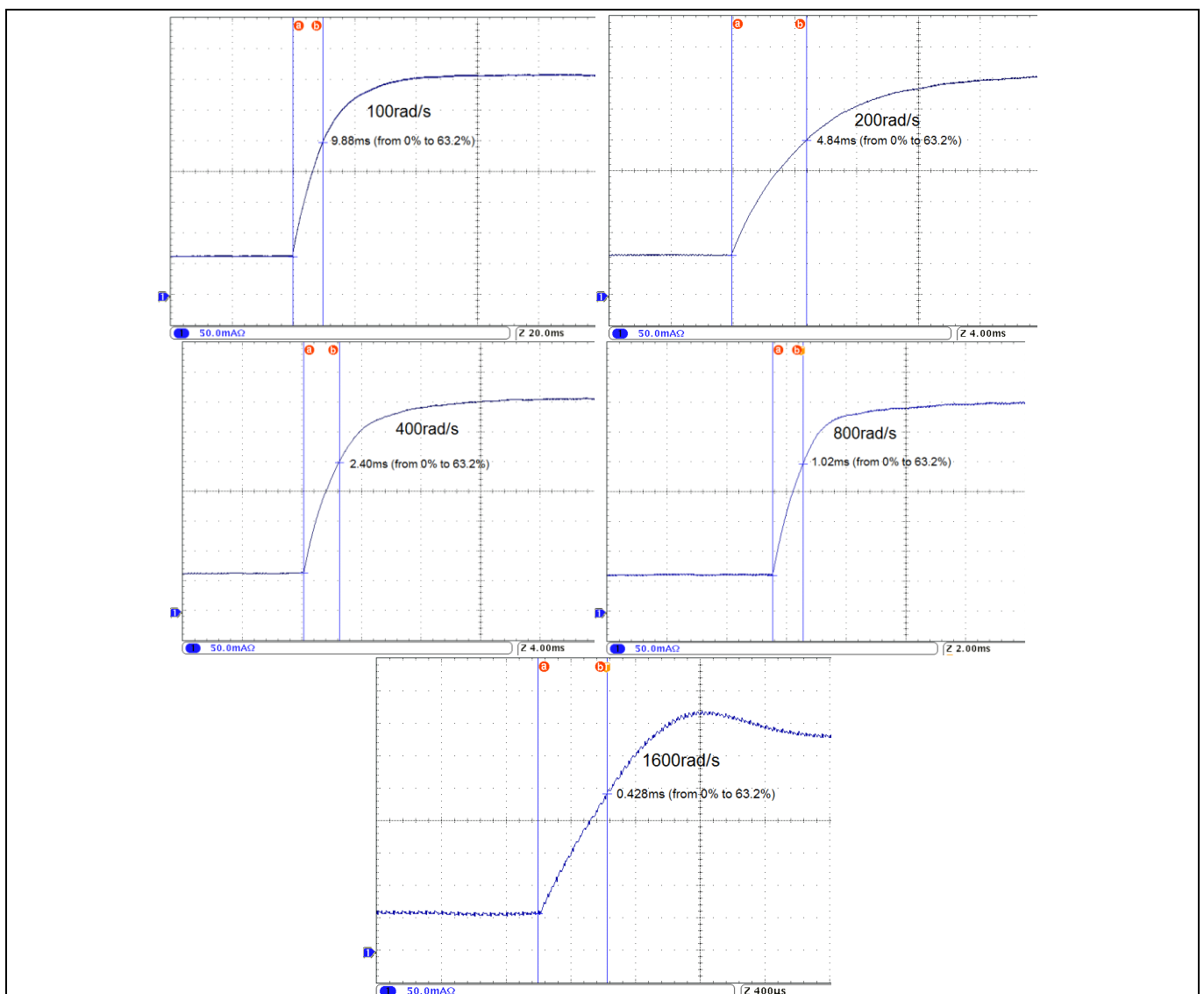


Figure 63 Current regulator step response (100/200/400/800/1600rad/s)

Motor Tuning**4.3 Difficulty to start the motor**

- Make sure current sensing is good
- Make sure motor parameter is correct
- Adjust speed regulator PI gain and speed feedback filter time constant
- Adjust minimum speed
- Adjust speed accelerate and decelerate ramp
- Adjust flux estimator time constant
- Increase motor current limit

4.4 Motor speed not stable

- If speed is not stable at low speed, check if current sensing is good
- If motor speed oscillate, reduce speed regulator PI, especially I gain
- If motor speed change too much when load change, increase speed PI gain, especially P gain
- If two phase modulation is enabled, make sure 3ph to 2ph switch over speed is high enough, or temporarily disable 2 phase PWM

4.5 Motor current not stable in field weakening

- Adjust FwkKx together with speed regulator PI gain
- Adjust current regulator PI gain. In field weakening mode, make D axis current regulator higher bandwidth than Q axis, try increase KplregD 2x higher or more than Kplreg.

4.6 Reducing acoustic noise

There are many reasons cause acoustic noise. Here are the most common reasons:

- Noise from current sensing circuit. Try to improve current sensing circuit, such as optimizing PCB layout, adjust op-amp load capacitor and feedback capacitor value, optimizing current sensing parameters, etc.
- Noise from high current regulator bandwidth, there is always noise from current sensing; improper current regulator may amplify the noise. To reduce noise from current regulator, try reduce current regulator PI gain, while doing this, make sure the control performance (especially at startup and high load) still good enough
- Noise from low PWM frequency or two phase PWM. Try increase PWM frequency. If the hardware is not suitable for higher PWM frequency, turn off two phase PWM and use 3-phase PWM only.
- Noise from minimum pulse scheme or phase shift PWM scheme (single shunt configuration). Noise caused by minimum pulse scheme can be reduced by reducing parameter value of TCntMin. Noise caused by phase shift PWM scheme can be reduced by reducing parameter value of TMinPhaseShift. Please note in either case, SHDelay value also needs to be adjusted. It's not possible to eliminate noise in single shunt, if the application requires very low acoustic noise; change to leg shunt may solve the problem.
- Noise from over-modulation. When the motor is running at high speed, over-modulation can be used to maximize DC bus utilization. The drawback of over-modulation is that the output voltage is not sinusoidal; it contains high order harmonics which causes acoustic noise. If in this case, disable over-modulation.

5 Revision history

Document version	Date of release	Description of changes
1.2	2019-06-05	<p>Section 2.1.4.1.3 (Low Noise Phase Shift PWM) added.</p> <p>Section 2.1.9 (Duty mode control) added.</p> <p>Section 2.1.10 (Hall Sensor Interface) added.</p> <p>Section 2.4 (JCOM Inter-Chip Communication) added.</p> <p>New register groups (Section 3.2.4, Section 3.2.5, etc.) added.</p>
1.1	2018-08-01	<p>Script Engine function description added (Section 2.5 and Section 3.4)</p> <p>Motor control and PFC protection description is added (Section 2.1.6 and Section 2.2.2)</p> <p>Following two parameters are added: FaultRetryPeriod and PFC_TargetDCVolt (Section 3.2 and Section 3.3)</p> <p>IdFwk variable type changed to ReadOnly</p> <p>PFC_HalfCycleMin and PFC_HalfCycleMax parameter type changed to STATIC</p>
1.0	2018-02-09	<p>Release version- Functional and register description on sensorless FOC and PFC</p>

Trademarks

All referenced product or service names and trademarks are the property of their respective owners.

Edition 2019-06-05

Published by

Infineon Technologies AG

81726 Munich, Germany

© 2019 Infineon Technologies AG.

All Rights Reserved.

Do you have a question about this document?

Email: erratum@infineon.com

Document reference

ifx1

IMPORTANT NOTICE

The information given in this document shall in no event be regarded as a guarantee of conditions or characteristics ("Beschaffheitsgarantie").

With respect to any examples, hints or any typical values stated herein and/or any information regarding the application of the product, Infineon Technologies hereby disclaims any and all warranties and liabilities of any kind, including without limitation warranties of non-infringement of intellectual property rights of any third party.

In addition, any information given in this document is subject to customer's compliance with its obligations stated in this document and any applicable legal requirements, norms and standards concerning customer's products and any use of the product of Infineon Technologies in customer's applications.

The data contained in this document is exclusively intended for technically trained staff. It is the responsibility of customer's technical departments to evaluate the suitability of the product for the intended application and the completeness of the product information given in this document with respect to such application.

For further information on the product, technology delivery terms and conditions and prices please contact your nearest Infineon Technologies office (www.infineon.com).

WARNINGS

Due to technical requirements products may contain dangerous substances. For information on the types in question please contact your nearest Infineon Technologies office.

Except as otherwise explicitly approved by Infineon Technologies in a written document signed by authorized representatives of Infineon Technologies, Infineon Technologies' products may not be used in any applications where a failure of the product or any consequences of the use thereof reasonably be expected to result in personal injury.